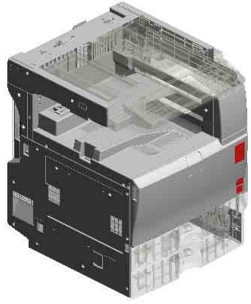


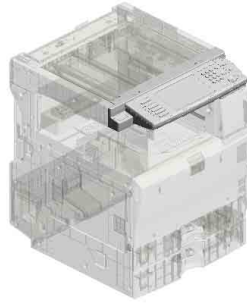
Digital Color Copiers
(D104/D106-EU)
Parts Catalog

Model	Product	PC Style
Digital Color Copiers	D104/D106	3D
ARDF DF 3050	D541	Traditional
Paper Feed Unit PB3070	D425	3D
Paper Feed Unit PB3030	D331	Traditional
One Bin Tray BN3060	D426	3D
Internal Shift Tray SH3030	D428	3D
Side Tray Type C2550	D427	3D
Internal Finisher Type C2550	D429	Traditional
Punch Unit PU3010	D390	Traditional
Envelop Feeder EF3010	D559	3D
Platen Cover Type 3800C	G329	Traditional
Card Reader Bracket Type C5501	D547	Traditional
Caster Table Type B	D448	Traditional
Fax Option Type C2551	D555	Traditional
FAX Memory Unit Type B	G578	Traditional
USB/SD Slot Type G	D556	Traditional
Browser Unit Type E	D430	Traditional
Camera Direct Print Card Type I	D546	Traditional
IPDS Unit Type C2551	D556	Traditional
IEEE 1284 Interface Board Type A	B679	Traditional
IEEE 802.11a/g Interface Unit Type J	D377	Traditional
IEEE 802.11a/g Interface Unit Type K	D377	Traditional
File Format Converter Type E	D377	Traditional
Gigabit Ethernet Type B	D377	Traditional
Key Counter Bracket Type H	A674	Traditional
Optional Counter Interface Unit Type A	B870	Traditional

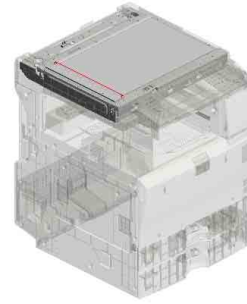
Unit All



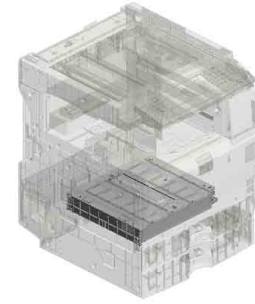
U001
Exterior



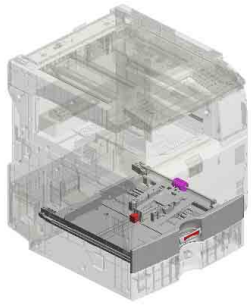
U002
Operation



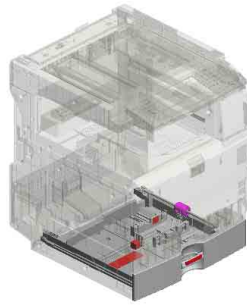
U003
Scanner



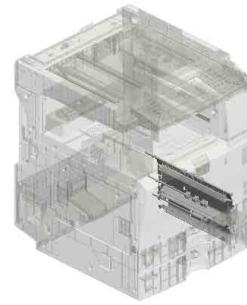
U004
Laser Unit



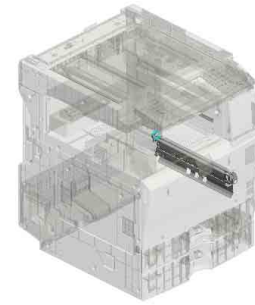
U005
1st Paper Tray



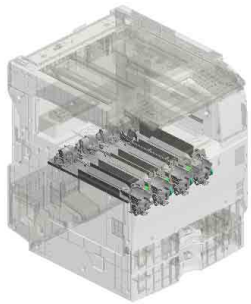
U006
2nd Paper Tray



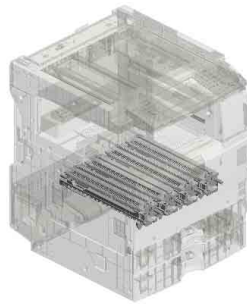
U007
Vertical Transport



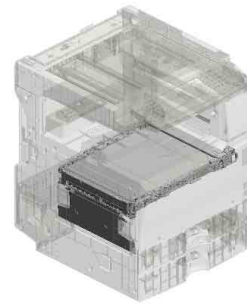
U008
Paper Registration



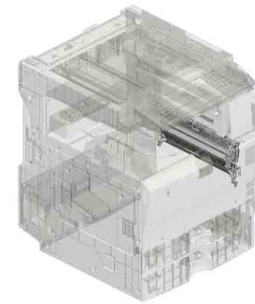
U009
Tonner Supply



U010
PCDU

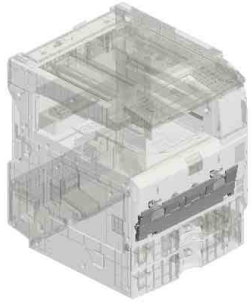


U011
ITB Unit/ITB Cleaning

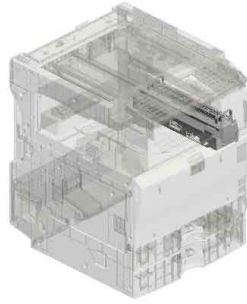


U012
Paper Transfer

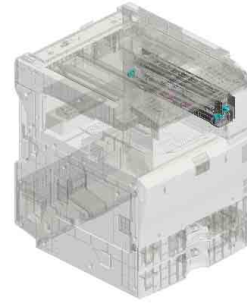
Unit All



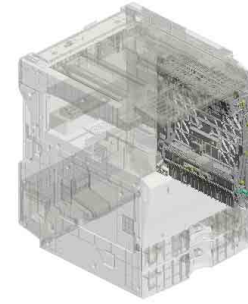
U013
Used Toner



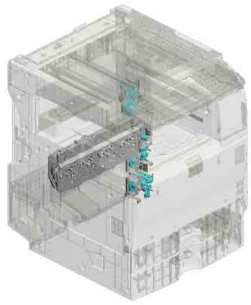
U014
Fusing



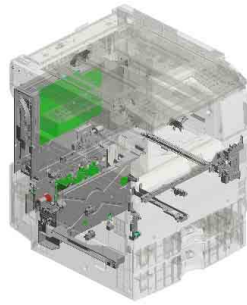
U015
Paper Exit



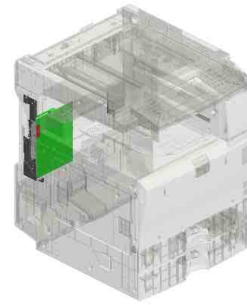
U016
Duplex



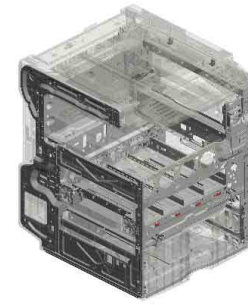
U017
Main Drive



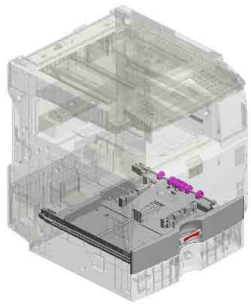
U018
Electrical



U019
Controller

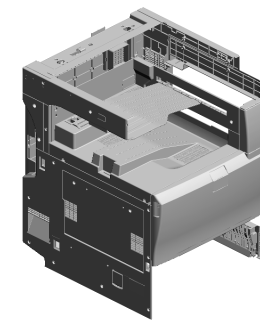


U020
Main Frame



U021
Envelope Feeder EF3010 (Option)

U001 Exterior



- 19.B2381373 CAP - LOUVER MM 80
- 11.AA010122 FILTER:REAR
- 16.B0771253 CAP:34X55
- 20.B2381396 CAP - REAR
- 3.04513008N (x36) TAPPING SCREW - M3X8

- 18.B2231293 CAP:COVER:REAR

- 1.03603008N (x13) SCREW:M3X8

- 15.B0391367 RIVET - M6

- 2.04513006N (x2) TAPPING SCREW - 3X6

- 12.AA012133 (x2) FILTER:IMAGE FORMING MD

- 6.07200030E (x2) RETAINING RING - M3

- 17.B2231253 EMBLEM COVER

- 7.09543006N SCREW - M3X6

- 13.AG070514 (x2) MAGNET CATCH

- 8.52062686 (x2) SNAP RING

- 9.AA000239 DECAL:COLOR:MF P

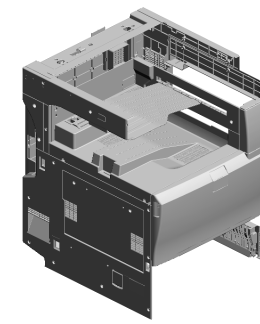
- 5.04563008N (x2) TAPPING SCREW - M3X8

- 14.B0241264 (x2) MAGNET CATCH

- 4.04543006Q TAPPING SCREW - M3X6

- 10.AA001477 DECAL:ENERGY-STAR

U001 Exterior



- 26.D0391246 INNER COVER:DC BRUSHLESS MOTOR:INTERMEDIATE TRANSFER
- 33.D0391262 COVER:UPPER:EXIT
- 23.D0391232 COVER:SCANNER:RIGHT
- 36.D0391272 COVER:RIGHT UPPER
- 34.D0391264 COVER:FRONT UPPER

38.D0391283 COVER:LEFT UPPER REAR

35.D0391271 COVER:RIGHT REAR

39.D0391284 COVER:LEFT:OPTION

27.D0391247 GROUND PLATE:DC BRUSHLESS MOTOR:INTERMEDIATE TRANSFER

31.D0391256 CLEANER:SHIELD GLASS:ASSY

40.D0391285 COVER:MAIN SWITCH

22.D0111253 (x2) DECAL:MAIN SWITCH:ON-STANDBY:EU:(Option)

24.D0391241 INNER COVER:UPPER

28.D0391251 COVER:FRONT

37.D0391273 COVER:RIGHT LOWER

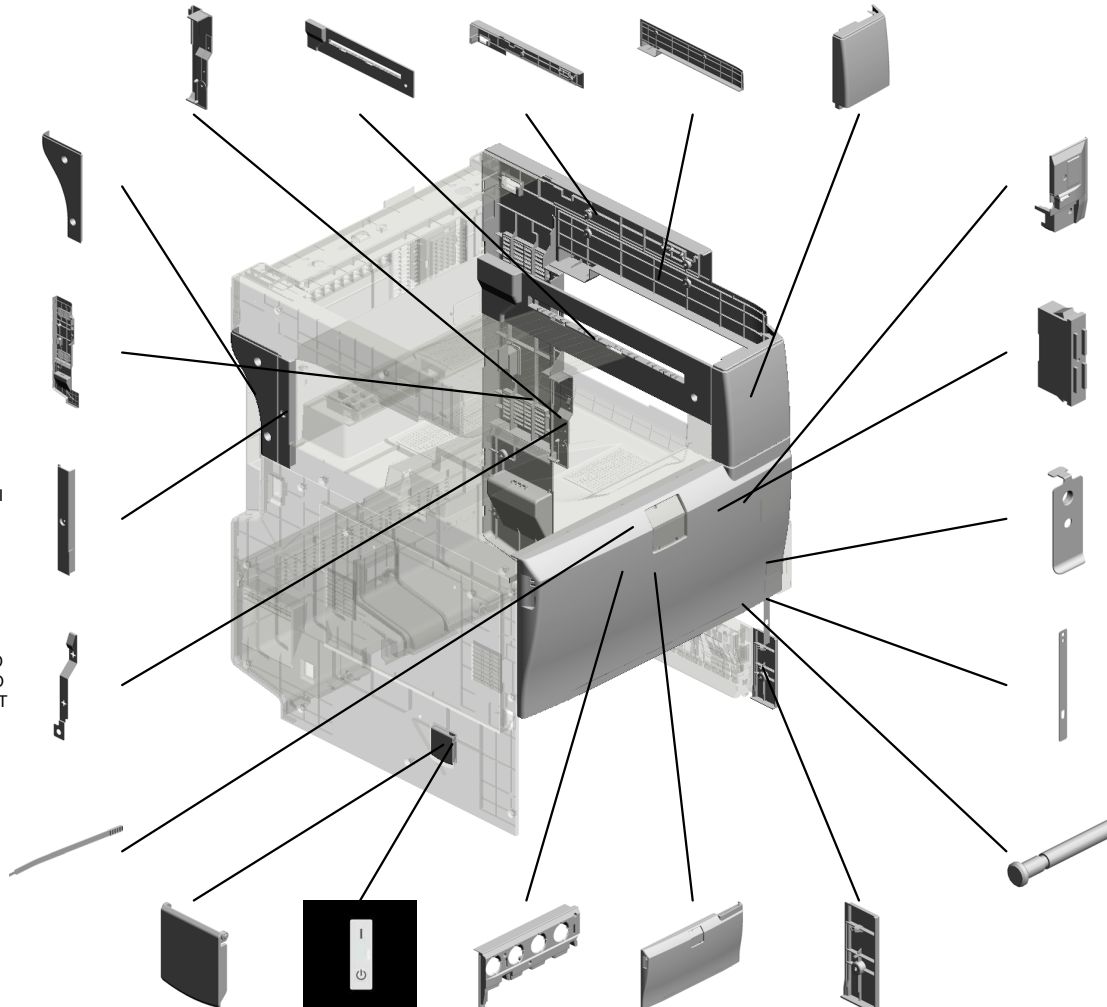
25.D0391242 INNER COVER:RIGHT

21.B2591367 (x2) COVER MAGNET

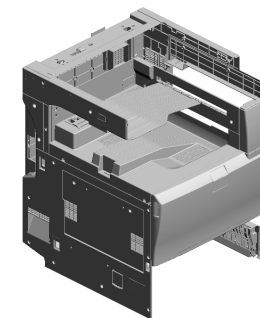
30.D0391254 SPRING PLATE:BA ND

29.D0391253 BAND:COVER:FRONT

32.D0391259 (x2) SHAFT:COVER:FRONT



U001 Exterior



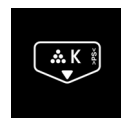
60.D0411234
COVER:SCANNER:
REAR:EU

58.D0394905
TRAY:REVERSE

45.D0391353
DECAL:COLORED
DISPLAY:INNER C
OVER:M

44.D0391352
DECAL:COLORED
DISPLAY:INNER C
OVER:C

43.D0391351
DECAL:COLORED
DISPLAY:INNER C
OVER:BK



59.D0411233
COVER:SCANNER:
LEFT:EU



46.D0391354
DECAL:COLORED
DISPLAY:INNER C
OVER:Y



41.D0391293
COVER:REAR:HA
RNESS



56.D0392944
BRACKET:COVER:
VERTICAL TRANSP
ORT:REAR



49.D0392792
BAND:STOPPER



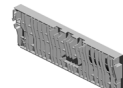
54.D0392937
(x4)
SPRING:VERTICAL
TRANSPORT



48.D0392791
GUIDE PLATE:VER
TICAL TRANSPOR
T:F3:RIGHT



53.D0392936
COVER:VERTICAL
TRANSPORT



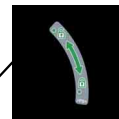
52.D0392935
ROLLER:DRIVEN:F
3



55.D0392943
BRACKET:COVER:
VERTICAL TRANSP
ORT:FRONT



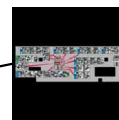
47.D0391355
(x4)
DECAL:TONER BO
TTLE:LOCK



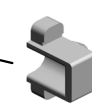
57.D0394586
COVER:GRIP:DUP
LEX UNIT



42.D0391350
SHEET:MISFEED R
EMOVAL



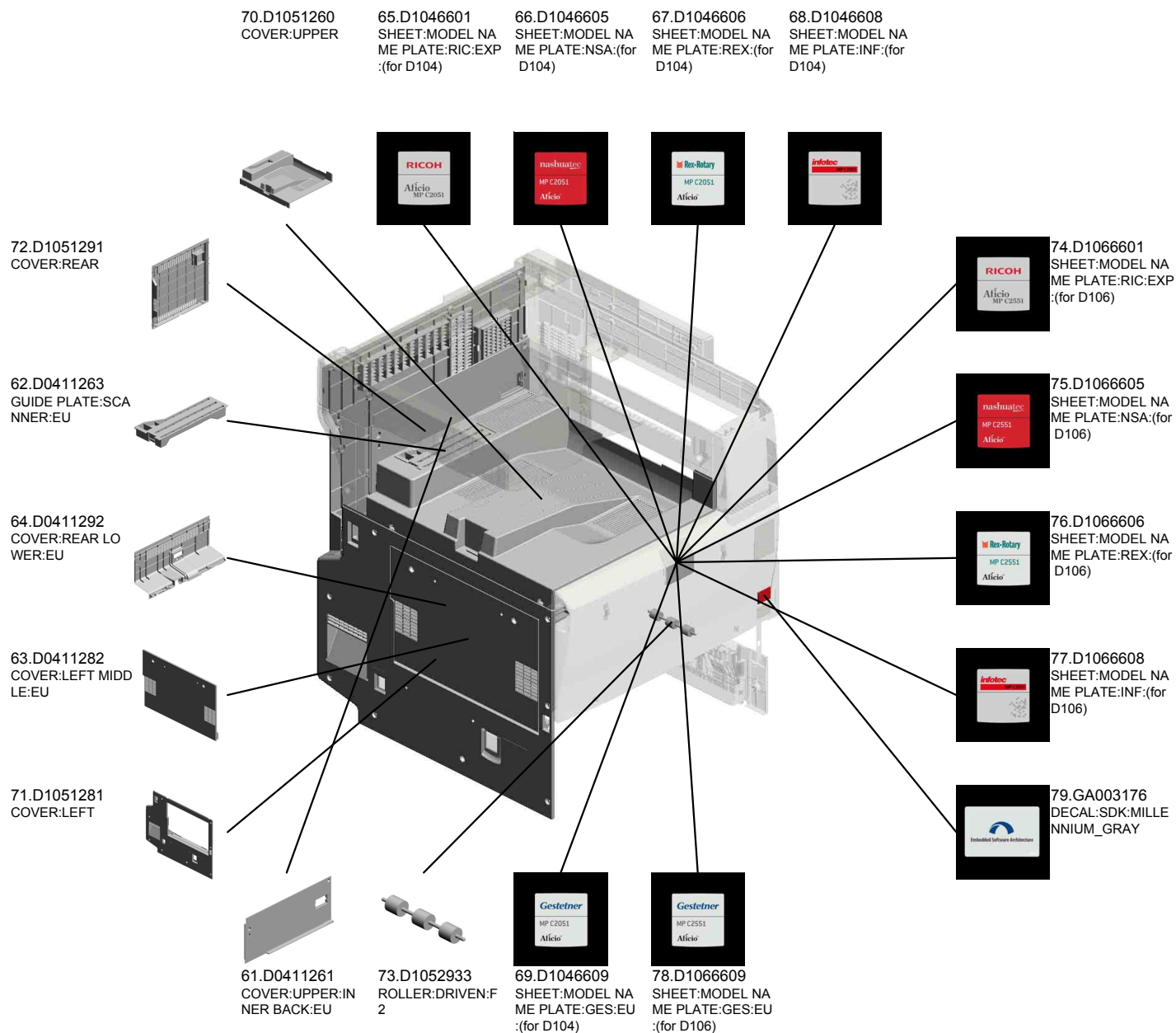
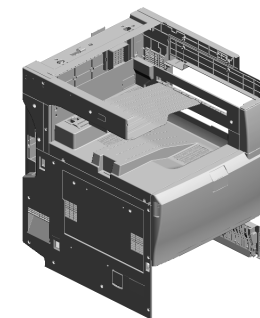
51.D0392934
(x4)
BUSHING:DIA4:VE
RTICAL TRANSPO
RT



50.D0392801
GROUND PLATE:V
ERTICAL TRANSP
ORT

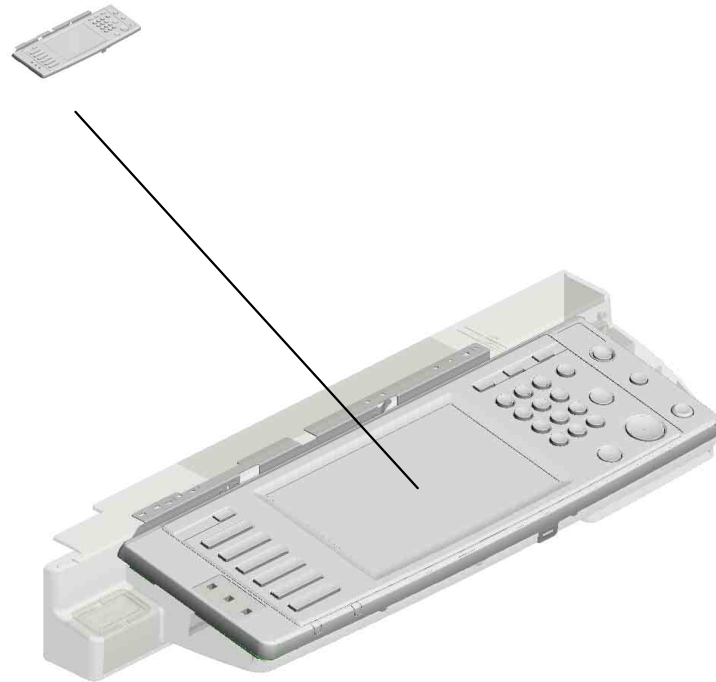


U001 Exterior



U002.Operation

U002 S001
D1051412
OPERATION SUB-UNIT::EU:A
SS'Y



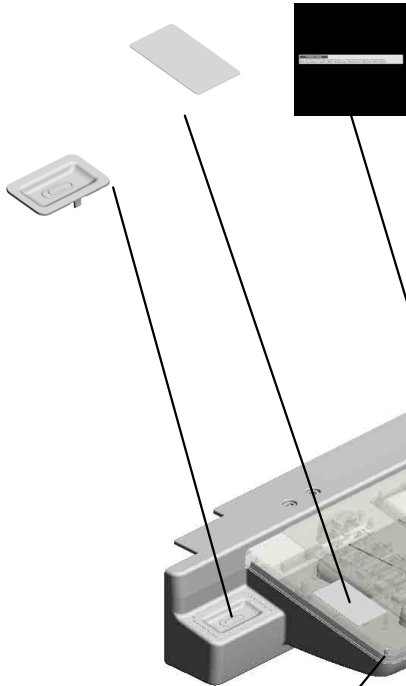
U002 Operation

15.B2371544
SHEET:DATA:DISP
LAY:PLAIN

37.D0391359
DECAL:CAUTION:O
RIGINAL:ENGLISH



36.D0391239
CAP:COVER:OPER
ATION SUB-UNIT



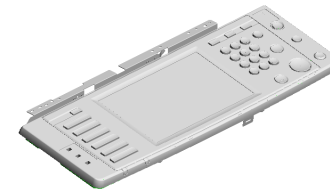
35.D0391236
COVER:SCANNER:
FRONT LOWER

34.D0391231
COVER:SCANNER:
FRONT

3.04563010N
(x5)
TAPPING SCREW -
M3X10



U002_S001
OPERATION SUB-UNIT::EU:ASS'Y



39.D1051412
OPERATION SUB-
UNIT::EU:ASS'Y

- 1.03530060N (x11) BIND SCREW - M3 X6
- 11.B2231535 KEYTOP:DOC:EU
- 7.B2231518 KEYTOP - BLANK F B
- 12.B2231537 KEYTOP:PRINTER: EU
- 5.16072392 FERRITE CORE:K3 FF 25.00X10.00X3.00X0.80(M)

19.B2381511
KEYTOP - COUNT
ER



4.11050032
CLAMP



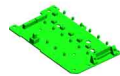
10.B2231534
KEYTOP:COPY:EU



21.B2381547
SPACER - KEYTOP



6.B2231475
PCB OP-L



13.B2231538
KEYTOP:SCANN
ER:EU



14.B2231539
KEYTOP:FUNCTI
ON:EU



20.B2381519
LENS - FRONT



2.04503010N
(x23)
TAPPING SCREW -
M3X10



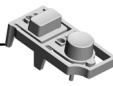
9.B2231521
KEYTOP:10KEY



22.B2381549
KEYTOP - POWER
SOURCE



18.B2381509
KEYTOP - INTERR
UPT



17.B2381506
KEYTOP - TRY PRI
NT



16.B2381504
KEYTOP - START

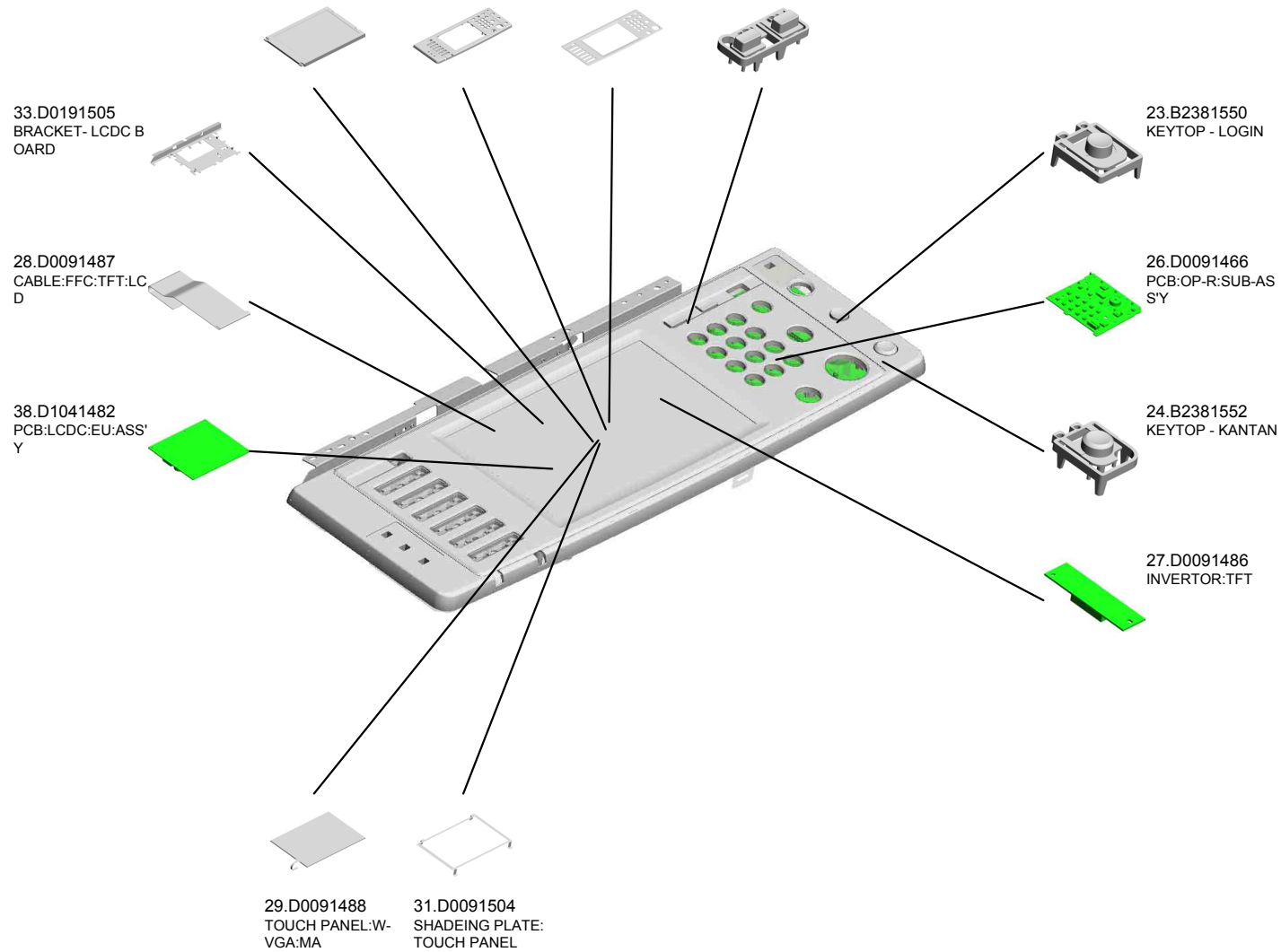


8.B2231520
KEYTOP - CLEAR/
STOP



U002_S001
OPERATION SUB-UNIT::EU:ASS'Y

40.D1051489 LCD:TFT:W-VGA:A
UO
30.D0091501 COVER:UPPER
32.D0091557 PANEL:UPPER:EU
25.B2381583 KEYTOP - CLEAR
MODES

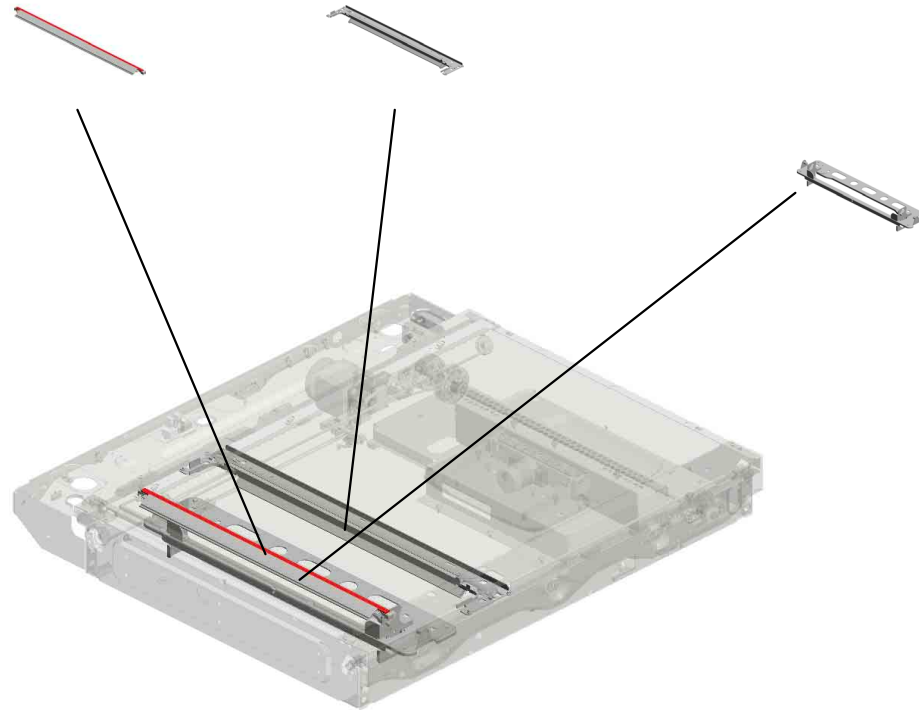


U003.Scanner

U003_S003
D1121735
SCALE:LEFT:B:ASS'Y

U003_S001
D0291715
CARRIAGE:NO.1:ASS'Y

U003_S002
D0391742
CARRIAGE:NO.2:SUB-ASS'Y



U001	U002	U003	U004	U005	U006	U007	U008	U009	U010	U011	U012	U013	U014	U015	U016	U017	U018	U019	U020	U021
------	------	------	------	------	------	------	------	------	------	------	------	------	------	------	------	------	------	------	------	------

U003 Scanner

14.11050534
(x2)
CLAMP

21.AA060979
TENSION SPRING:
TENSION:14720MN

4.03603006N
(x7)
SCREW - M3X6

6.04513008N
(x2)
TAPPING SCREW -
M3X8

11.11028501
CONNECTOR:5467
9-1609



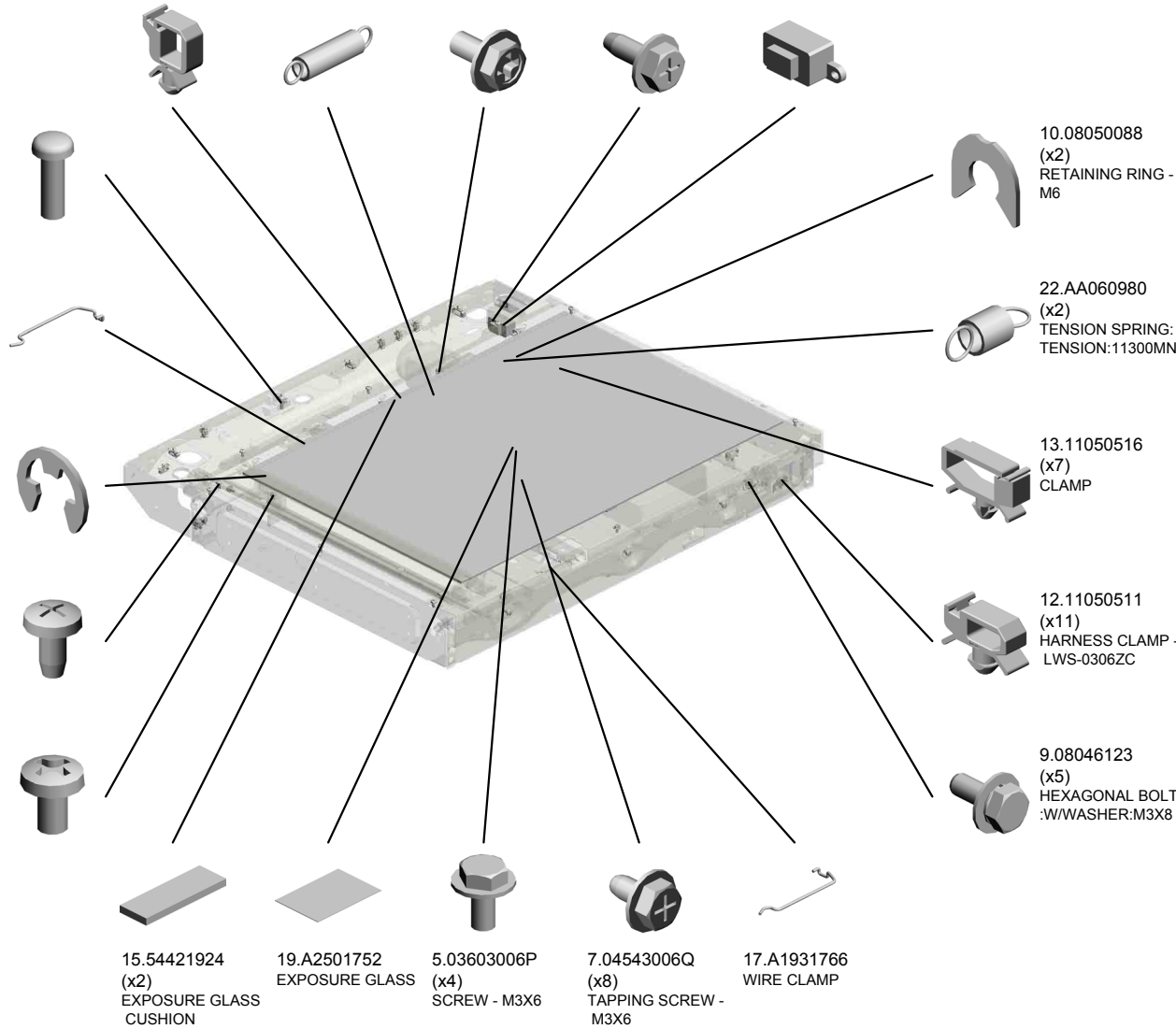
1.03140120N
SCREW - M4X12

18.A1931769
CLAMP - REAR WI
RE

8.07200040E
(x2)
RETAINING RING -
M4

3.03530060N
(x13)
BIND SCREW - M3
X6

2.03530050N
(x2)
SCREW-M3X5



10.08050088
(x2)
RETAINING RING -
M6

22.AA060980
(x2)
TENSION SPRING:
TENSION:11300MN

13.11050516
(x7)
CLAMP

12.11050511
(x11)
HARNESS CLAMP -
LWS-0306ZC

9.08046123
(x5)
HEXAGONAL BOLT
:W/WASHER:M3X8

15.54421924
(x2)
EXPOSURE GLASS
CUSHION

19.A2501752
EXPOSURE GLASS

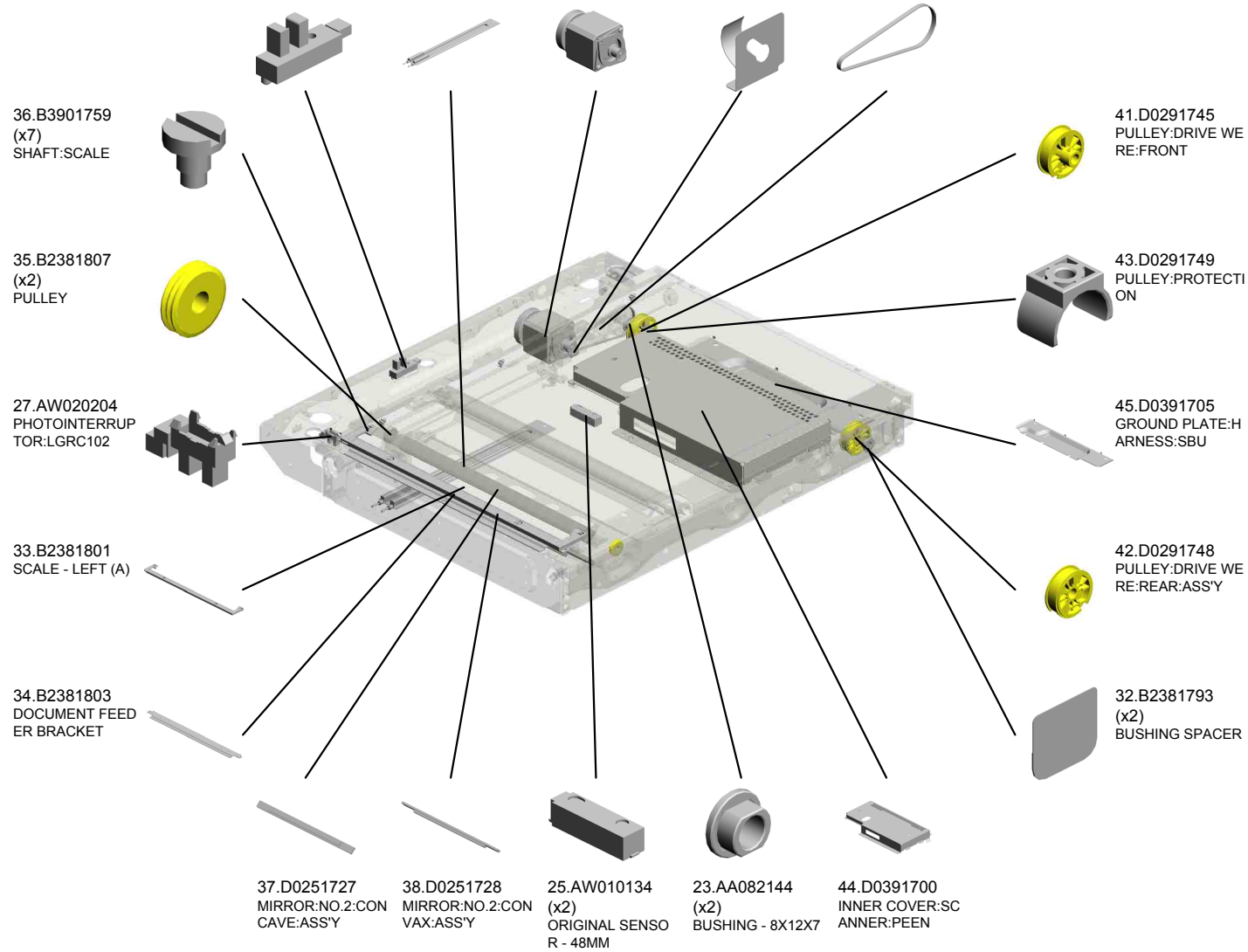
5.03603006P
(x4)
SCREW - M3X6

7.04543006Q
(x8)
TAPPING SCREW -
M3X6

17.A1931766
WIRE CLAMP

U003 Scanner

- 26.AW020146 PHOTOINTERRUPTOR:FLAT:PICH2M M:M4
- 28.B2291688 HEATER:OPTION:2 30V:9W:(Option)
- 29.B2381715 STEPPER MOTOR DC3.9V
- 30.B2381762 GROUND PLATE - STEPPER MOTOR
- 31.B2381792 TIMING BELT - 157 ST1.5-4.0



U003 Scanner

56.D0391770
GROUND PLATE:SEN
SOR:AKS

55.D0391769
FRAME:REAR

63.D1121782
SCALE:INNER BAC
K:PRINTING

53.D0391748
GUIDE:HIGH VOLT
AGE SUPPLY COR
D:RAIL

66.G5701133
TIMING PULLEY 73



59.D0395401
STABILIZER

67.G5701225
SENSOR SHIELDIN
G PLATE

52.D0391747
GUIDE:HIGH VOLT
AGE SUPPLY COR
D

69.G5702833
PULLEY HOLDER

58.D0391823
COVER:HEATER:SEN
SING:OPTION

61.D1051795
EXPOSURE GLASS
:DOCUMENT FEED
ER

50.D0391733
XENON LAMP:DIA1
0:ASSY

65.G4042810
(x4)
SPRING PLATE - 2
ND MIRROR

54.D0391751
(x4)
HOLDER:EXPOSU
RE GLASS

46.D0391715
(x2)
DRIVE WERE

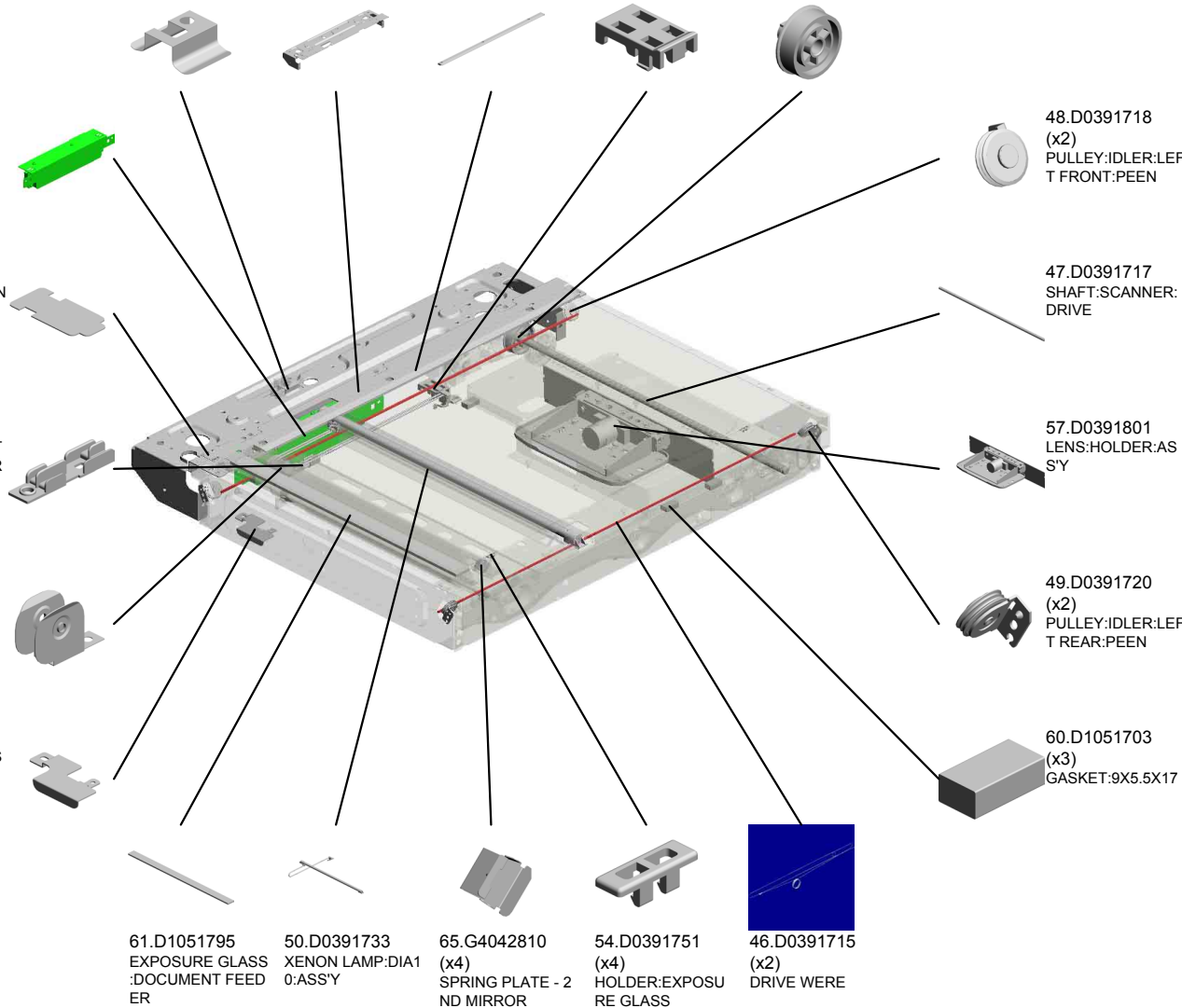
48.D0391718
(x2)
PULLEY:IDLER:LEF
T FRONT:PEEN

47.D0391717
SHAFT:SCANNER:
DRIVE

57.D0391801
LENS:HOLDER:AS
S'Y

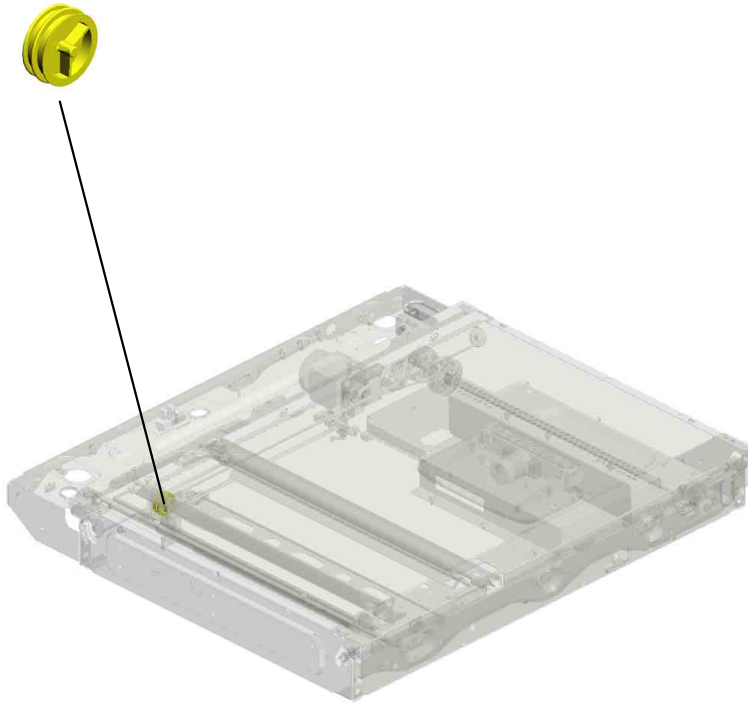
49.D0391720
(x2)
PULLEY:IDLER:LEF
T REAR:PEEN

60.D1051703
(x3)
GASKET:9X5.5X17



U003
Scanner

70.G5702834
PULLEY - HIGH VO
LTAGE SUPPLY C
ORD



U001	U002	U003	U004	U005	U006	U007	U008	U009	U010	U011	U012	U013	U014	U015	U016	U017	U018	U019	U020	U021
------	------	-------------	------	------	------	------	------	------	------	------	------	------	------	------	------	------	------	------	------	------

U003_S001
CARRIAGE:NO.1:ASS'Y

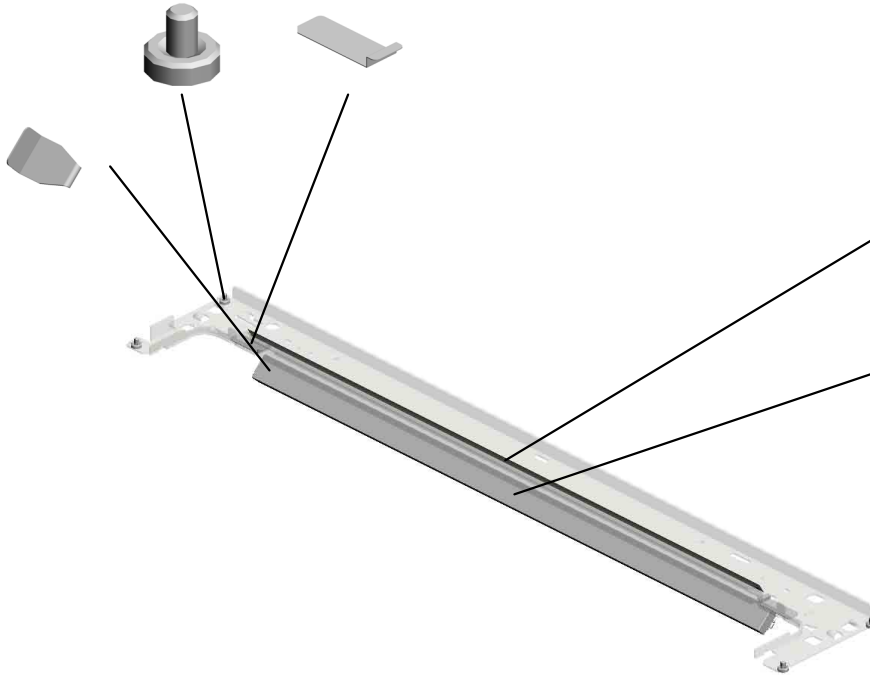
68.G5702730
(x4)
SLIDER - SCANNER

40.D0291719
(x2)
SHEET:CARRIAGE:
NO.1



39.D0291715
CARRIAGE:NO.1:A
SS'Y

71.M0261815
(x2)
CLAMP:MIRROR:
NO.1

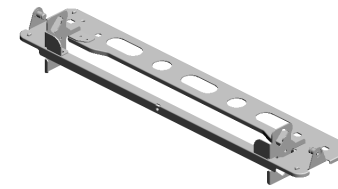


16.A1001714
REFLECTOR

24.AC030169
MIRROR:NO.1

U003_S002
CARRIAGE:NO.2:SUB-ASS'Y

20.A2501791
(x4)
2ND SCANNER SH
OE



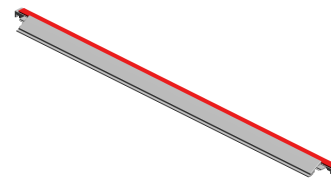
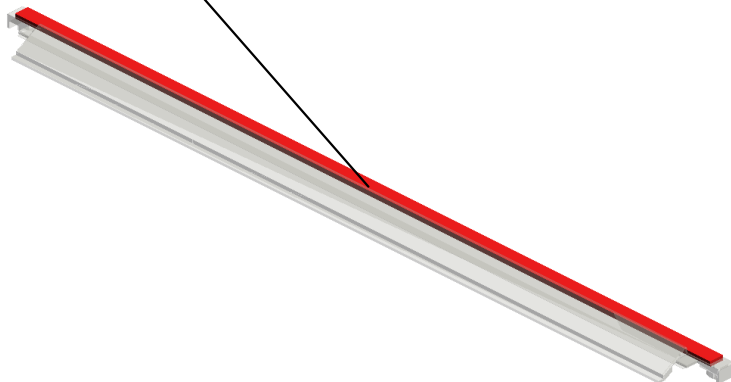
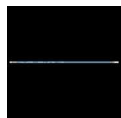
51.D0391742
CARRIAGE:NO.2:S
UB-ASSY



U001	U002	U003	U004	U005	U006	U007	U008	U009	U010	U011	U012	U013	U014	U015	U016	U017	U018	U019	U020	U021
------	------	------	------	------	------	------	------	------	------	------	------	------	------	------	------	------	------	------	------	------

U003_S003
SCALE:LEFT:B:ASS'Y

64.D1121821
DECAL:SCALE:LEF
T

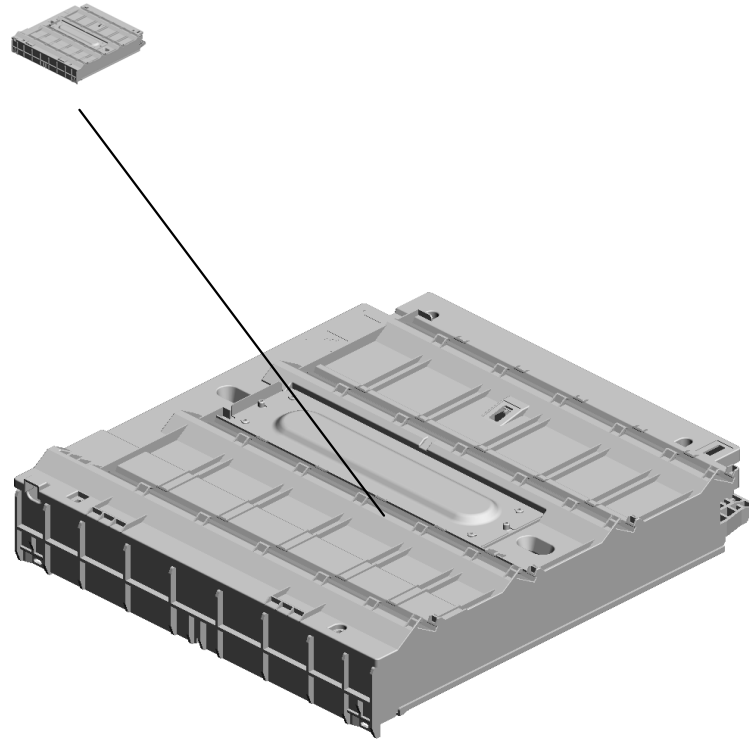


62.D1121735
SCALE:LEFT:B:AS
SY

U001	U002	U003	U004	U005	U006	U007	U008	U009	U010	U011	U012	U013	U014	U015	U016	U017	U018	U019	U020	U021
------	------	------	------	------	------	------	------	------	------	------	------	------	------	------	------	------	------	------	------	------

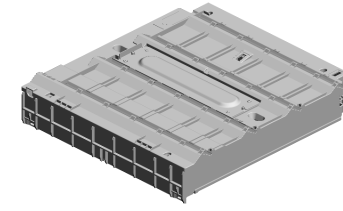
U004.Laser Unit

U004 S001
D1051855
OPTICAL WRITING SECTION
:SERVICE PARTS:ASSY



U001	U002	U003	U004	U005	U006	U007	U008	U009	U010	U011	U012	U013	U014	U015	U016	U017	U018	U019	U020	U021
------	------	------	-------------	------	------	------	------	------	------	------	------	------	------	------	------	------	------	------	------	------

U004
Laser Unit

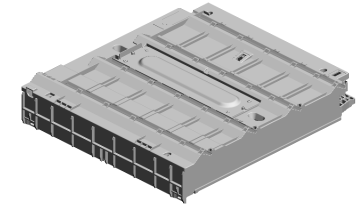


U001	U002	U003	U004	U005	U006	U007	U008	U009	U010	U011	U012	U013	U014	U015	U016	U017	U018	U019	U020	U021
------	------	------	------	------	------	------	------	------	------	------	------	------	------	------	------	------	------	------	------	------

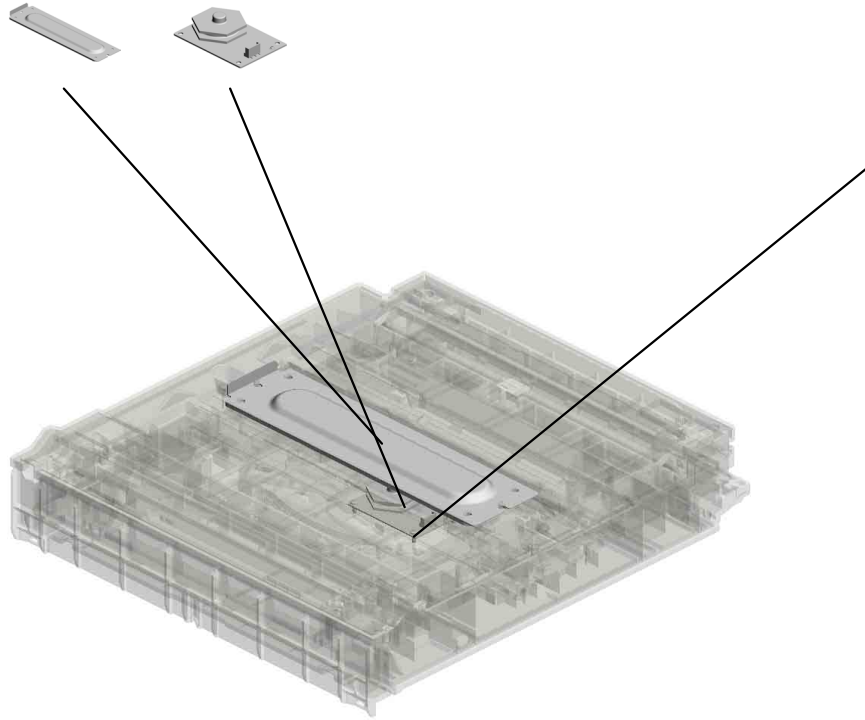
U004_S001
OPTICAL WRITING SECTION:SERVICE PARTS:ASS'Y

3.D0391975
COVER:POLYGON
SCANNER:ASS'Y

2.AX060397
POLYGON SCANN
ER



4.D1051855
OPTICAL WRITING
SECTION:SERVIC
E PARTS:ASS'Y

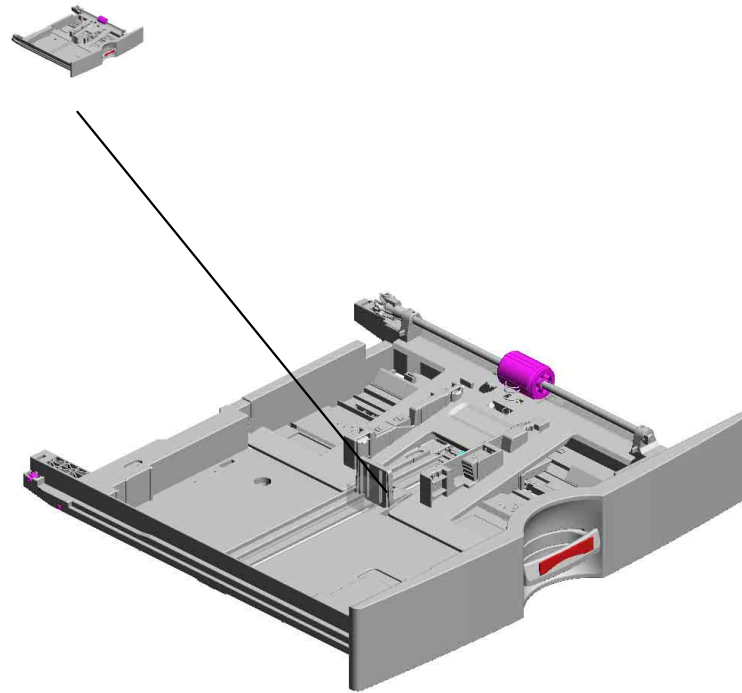


1.04573008N
(x4)
TAPPING SCREW:
WP:3X8

U001	U002	U003	U004	U005	U006	U007	U008	U009	U010	U011	U012	U013	U014	U015	U016	U017	U018	U019	U020	U021
------	------	------	------	------	------	------	------	------	------	------	------	------	------	------	------	------	------	------	------	------

U005.1st Paper Tray

U005 S001
D1062521
PAPER TRAY:NO.1:EU:ASSY

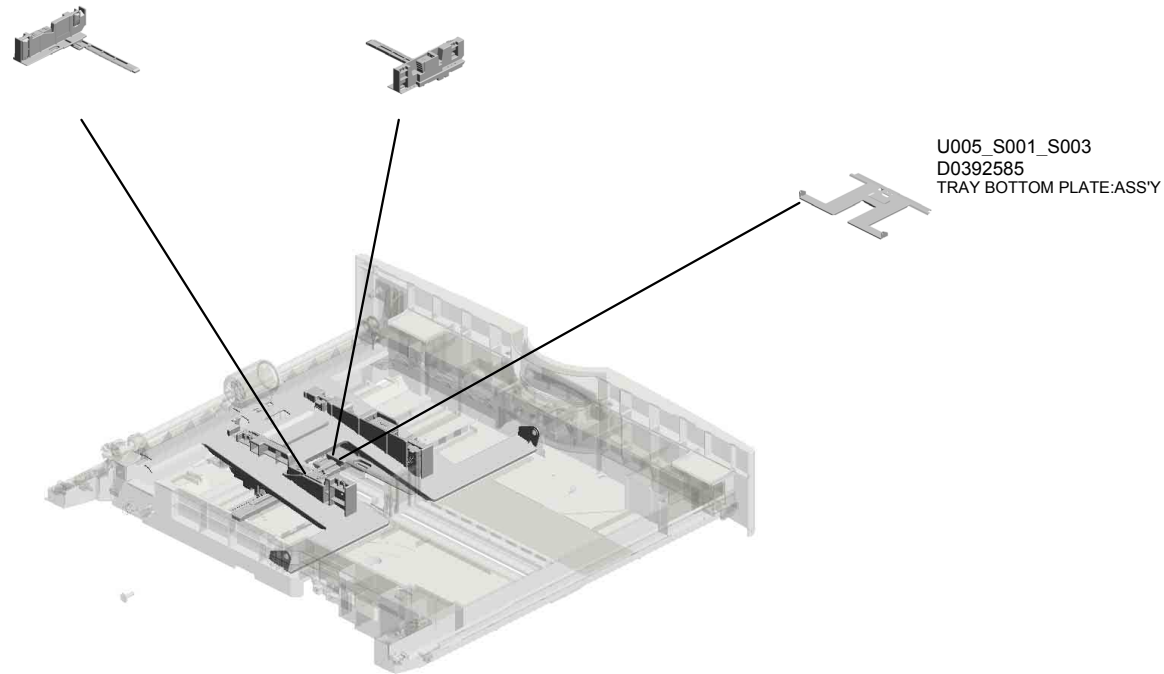


U001	U002	U003	U004	U005	U006	U007	U008	U009	U010	U011	U012	U013	U014	U015	U016	U017	U018	U019	U020	U021
------	------	------	------	-------------	------	------	------	------	------	------	------	------	------	------	------	------	------	------	------	------

U005_S001.PAPER TRAY:NO.1:EU:ASS'Y

U005 S001 S002
D0392584
SIDE FENCE:REAR:ASS'Y

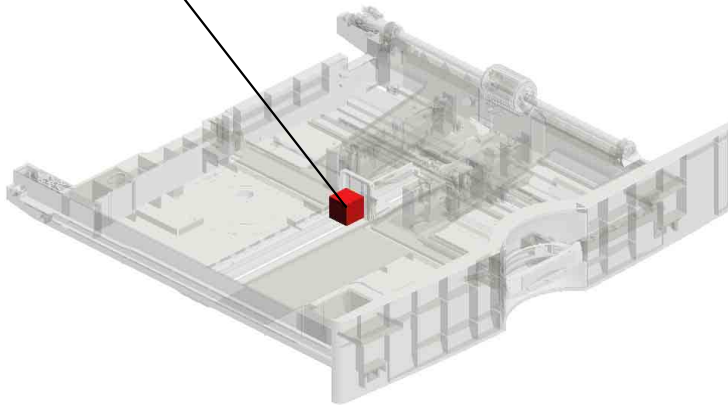
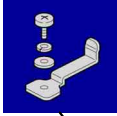
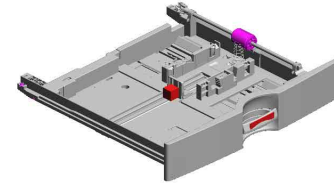
U005 S001 S001
D0392583
SIDE FENCE:FRONT:ASS'Y



U001	U002	U003	U004	U005	U006	U007	U008	U009	U010	U011	U012	U013	U014	U015	U016	U017	U018	U019	U020	U021
------	------	------	------	-------------	------	------	------	------	------	------	------	------	------	------	------	------	------	------	------	------

U005
1st Paper Tray

33.D1052570
STOPPER-END FE
NCE-ASS'Y:(Option)



U005_S001
PAPER TRAY:NO.1:EU:ASS'Y

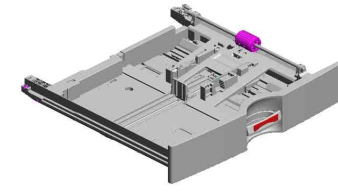
6.AA063629
SPRING - 2.8N

12.B1542722
FRICION PAD:AS
SY

11.B0512725
SHEET - FURICTIO
N PAD

13.B1542726
SHAFT:PAPER FEE
D ROLLER:ASS'Y

9.AF031084
PAPER FEED ROLL
ER MM36



36.D1062521
PAPER TRAY:NO.1
:EU:ASS'Y

1.08050088
RETAINING RING -
M6

7.AA063630
SPRING

18.D0392552
JOINT:SHAFT:PAP
ER FEED ROLLER

5.AA060866
LEVER SPRING

4.A2322987
(x4)
ROLLER - PAPER T
RAY

15.B2232936
GEAR - 16Z

10.B0392727
(x2)
BUSHING - 8X12X1
0

2.52152621
SNAP RING - M6

17.D0392551
PAPER TRAY

8.AF017025
END FENCE

16.B2382526
DECAL - GRIP

19.D0392561
GRIP:PAPER TRAY

21.D0392566
TENSION SPRING:
GRIP:RIGHT

20.D0392562
HOLDER:GRIP:PAP
ER TRAY

22.D0392567
TENSION SPRING:
GRIP:LEFT

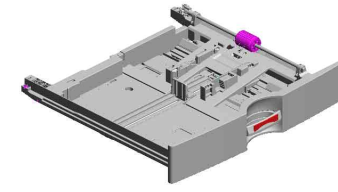
U001	U002	U003	U004	U005	U006	U007	U008	U009	U010	U011	U012	U013	U014	U015	U016	U017	U018	U019	U020	U021
------	------	------	------	------	------	------	------	------	------	------	------	------	------	------	------	------	------	------	------	------

U005_S001
 PAPER TRAY:NO.1:EU:ASS'Y

39.G0702711
 BASE STOPPER

29.D0392825
 SUPPORTING PLATE:PAPER TRAY

28.D0392815
 SPRING:BASE



36.D1062521
 PAPER TRAY:NO.1
 :EU:ASS'Y

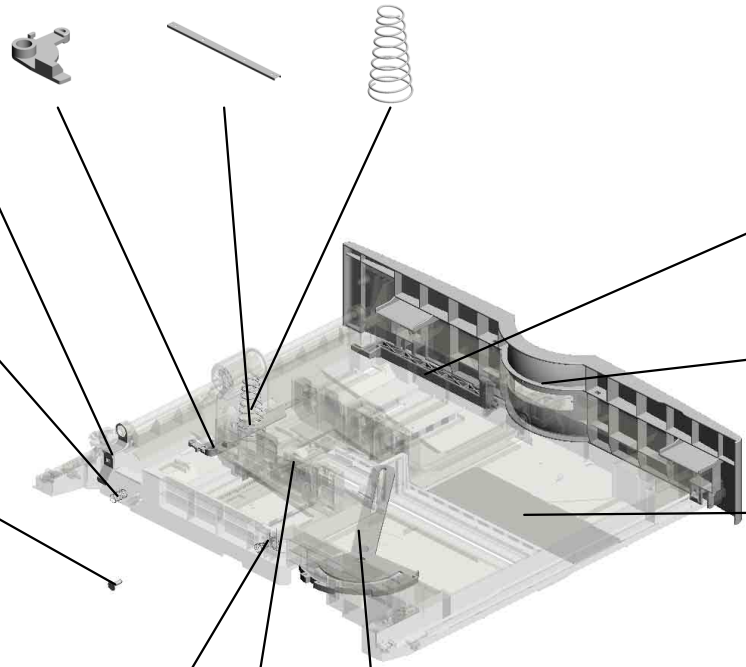
23.D0392569
 GROUND PLATE:FRONT



30.D0392834
 SPRING:TRAY:REAR



35.D1052833
 SHAFT:COIL SPRING



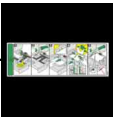
27.D0392810
 LEVER:RELEASE:PAPER TRAY



32.D0412557
 COVER:PAPER TRAY:NO.1:EU



31.D0392835
 DECAL:PAPER SET DIRECTION



34.D1052719
 COIL SPRING:EAR TH:TRAY BOTTOM PLATE



37.G0601972
 SHIELD:COVER:UPPER



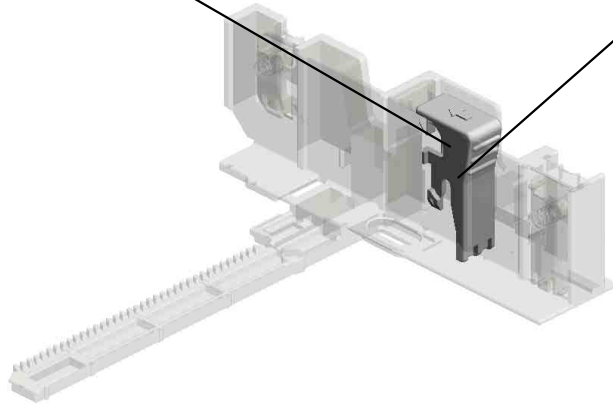
38.G0702710
 PAPER SIZE SENSOR LINK



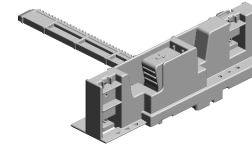
U001	U002	U003	U004	U005	U006	U007	U008	U009	U010	U011	U012	U013	U014	U015	U016	U017	U018	U019	U020	U021
------	------	------	------	------	------	------	------	------	------	------	------	------	------	------	------	------	------	------	------	------

U005_S001_S001
SIDE FENCE:FRONT:ASS'Y

40.G0702713
SPRING PLATE ST
OPPER



41.G0702714
FRONT LEVER - ST
OPPER

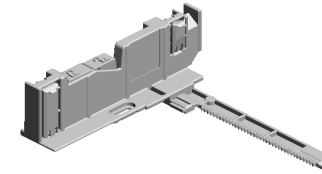


24.D0392583
SIDE FENCE:FRON
T:ASS'Y

U001	U002	U003	U004	U005	U006	U007	U008	U009	U010	U011	U012	U013	U014	U015	U016	U017	U018	U019	U020	U021
------	------	------	------	------	------	------	------	------	------	------	------	------	------	------	------	------	------	------	------	------

U005_S001_S002
SIDE FENCE:REAR:ASS'Y

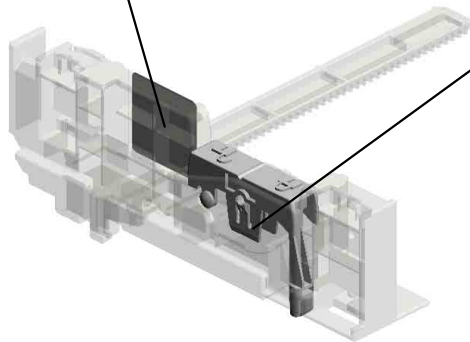
14.B2232873
DECAL - SIDE FEN
CE REAR



25.D0392584
SIDE FENCE:REAR
:ASS'Y



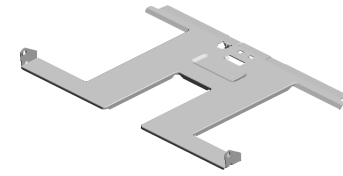
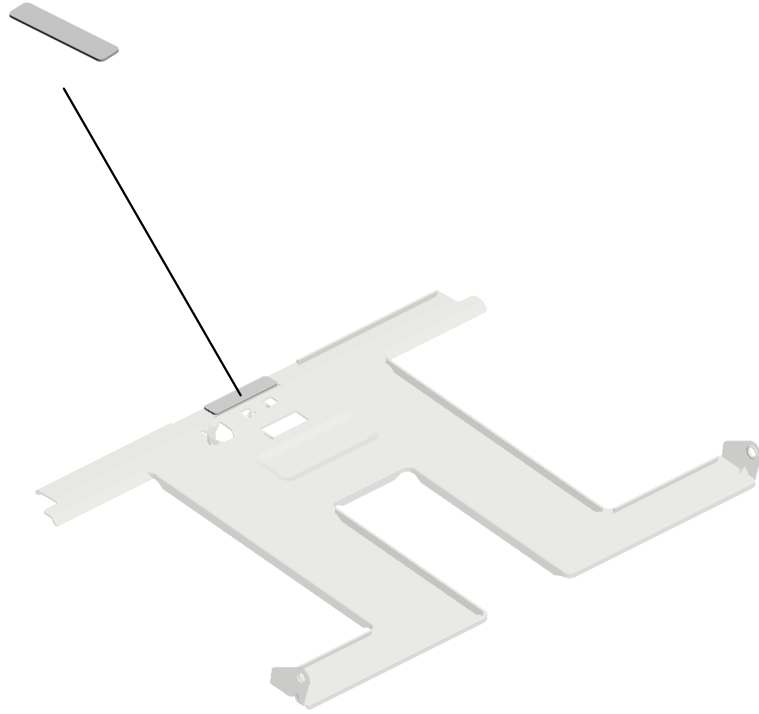
42.G0702718
REAR LEVER - ST
OPPER



U001	U002	U003	U004	U005	U006	U007	U008	U009	U010	U011	U012	U013	U014	U015	U016	U017	U018	U019	U020	U021
------	------	------	------	------	------	------	------	------	------	------	------	------	------	------	------	------	------	------	------	------

U005_S001_S003
TRAY BOTTOM PLATE:ASS'Y

3.52152713
BOTTOM PLATE P
AD

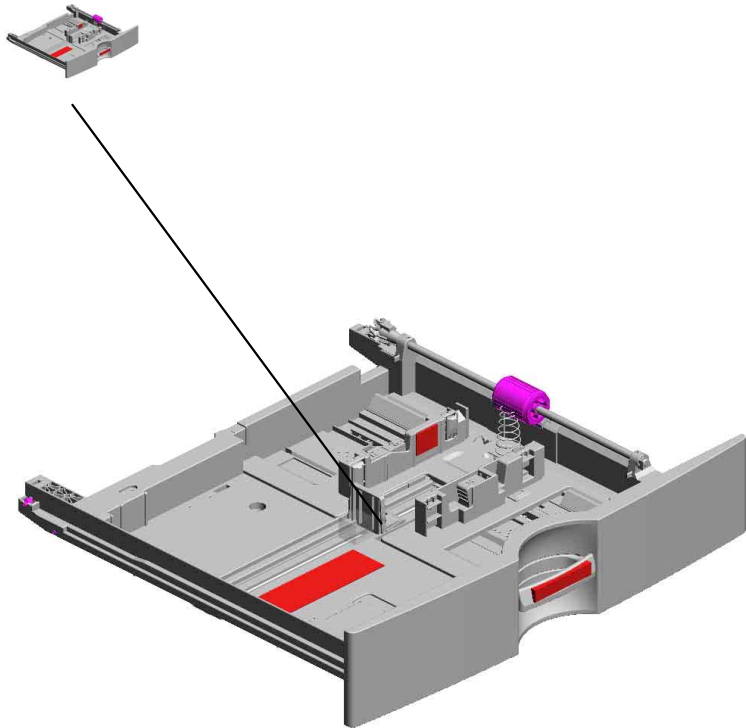


26.D0392585
TRAY BOTTOM PL
ATE:ASS'Y

U001	U002	U003	U004	U005	U006	U007	U008	U009	U010	U011	U012	U013	U014	U015	U016	U017	U018	U019	U020	U021
------	------	------	------	-------------	------	------	------	------	------	------	------	------	------	------	------	------	------	------	------	------

U006.2nd Paper Tray

U006 S001
D1062522
PAPER TRAY:NO.2:EU:ASS'Y

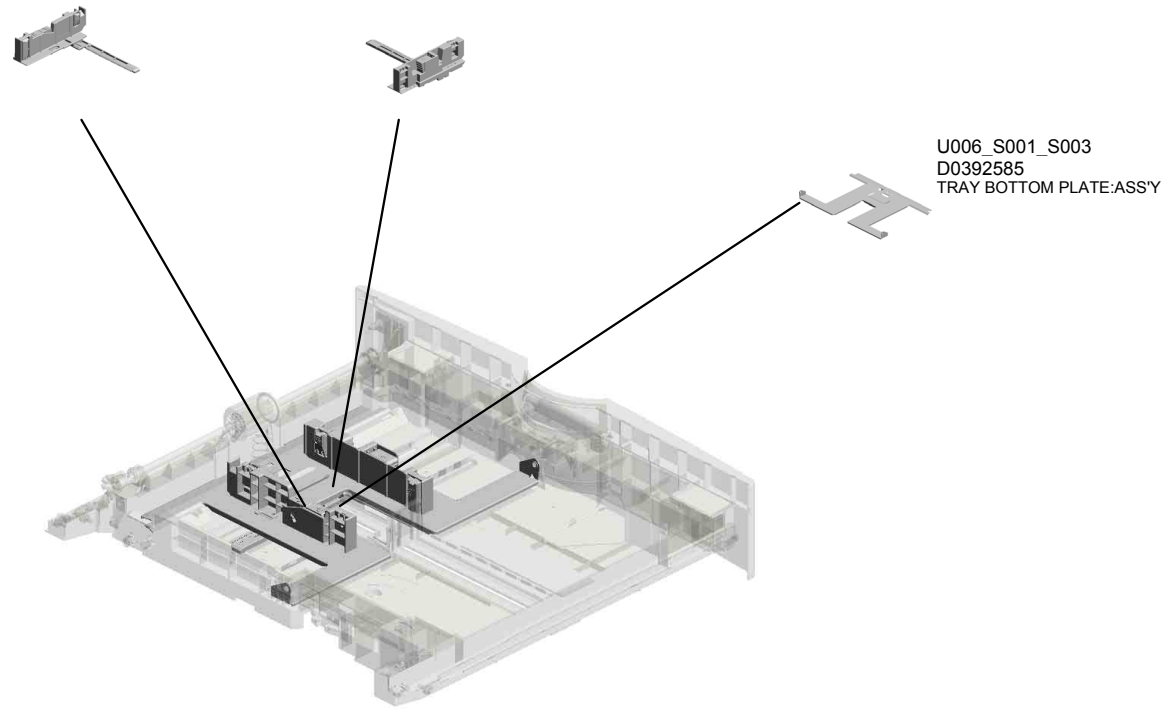


U001	U002	U003	U004	U005	U006	U007	U008	U009	U010	U011	U012	U013	U014	U015	U016	U017	U018	U019	U020	U021
------	------	------	------	------	-------------	------	------	------	------	------	------	------	------	------	------	------	------	------	------	------

U006_S001.PAPER TRAY:NO.2:EU:ASS'Y

U006 S001 S002
D0392584
SIDE FENCE:REAR:ASS'Y

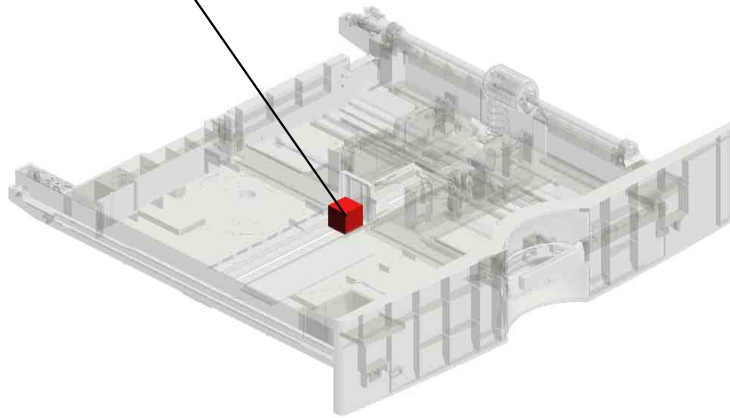
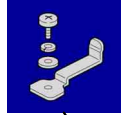
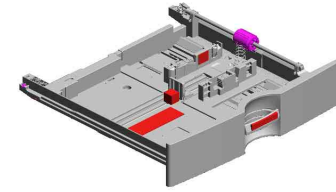
U006 S001 S001
D0392583
SIDE FENCE:FRONT:ASS'Y



U001	U002	U003	U004	U005	U006	U007	U008	U009	U010	U011	U012	U013	U014	U015	U016	U017	U018	U019	U020	U021
------	------	------	------	------	-------------	------	------	------	------	------	------	------	------	------	------	------	------	------	------	------

U006 2nd Paper Tray

34.D1052570
STOPPER-END FE
NCE-ASS'Y:(Option)



U001	U002	U003	U004	U005	U006	U007	U008	U009	U010	U011	U012	U013	U014	U015	U016	U017	U018	U019	U020	U021
------	------	------	------	------	-------------	------	------	------	------	------	------	------	------	------	------	------	------	------	------	------

U006_S001
PAPER TRAY:NO.2:EU:ASS'Y

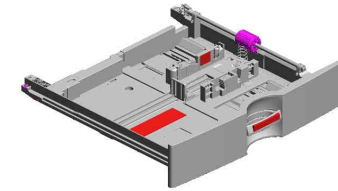
7.AA063629
SPRING - 2.8N

13.B1542722
FRICION PAD:AS
SY

12.B0512725
SHEET - FURICTIO
N PAD

14.B1542726
SHAFT:PAPER FEE
D ROLLER:ASS'Y

10.AF031084
PAPER FEED ROLL
ER MM36



37.D1062522
PAPER TRAY:NO.2
:EU:ASS'Y

2.08050088
RETAINING RING -
M6

8.AA063630
SPRING

19.D0392552
JOINT:SHAFT:PAP
ER FEED ROLLER

6.AA060866
LEVER SPRING

5.A2322987
(x4)
ROLLER - PAPER T
RAY

16.B2232936
GEAR - 16Z

11.B0392727
(x2)
BUSHING - 8X12X1
0

3.52152621
SNAP RING - M6

18.D0392551
PAPER TRAY

9.AF017025
END FENCE

17.B2382527
DECAL - GRIP

20.D0392561
GRIP:PAPER TRAY

22.D0392566
TENSION SPRING:
GRIP:RIGHT

1.04563008N
(x2)
TAPPING SCREW -
M3X8

21.D0392562
HOLDER:GRIP:PAP
ER TRAY

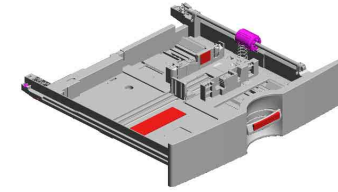
U006_S001
 PAPER TRAY:NO.2:EU:ASS'Y

40.G0702711
 BASE STOPPER

30.D0392825
 SUPPORTING PLATE:PAPER TRAY

29.D0392815
 SPRING:BASE

38.G0601972
 SHIELD:COVER:UPPER

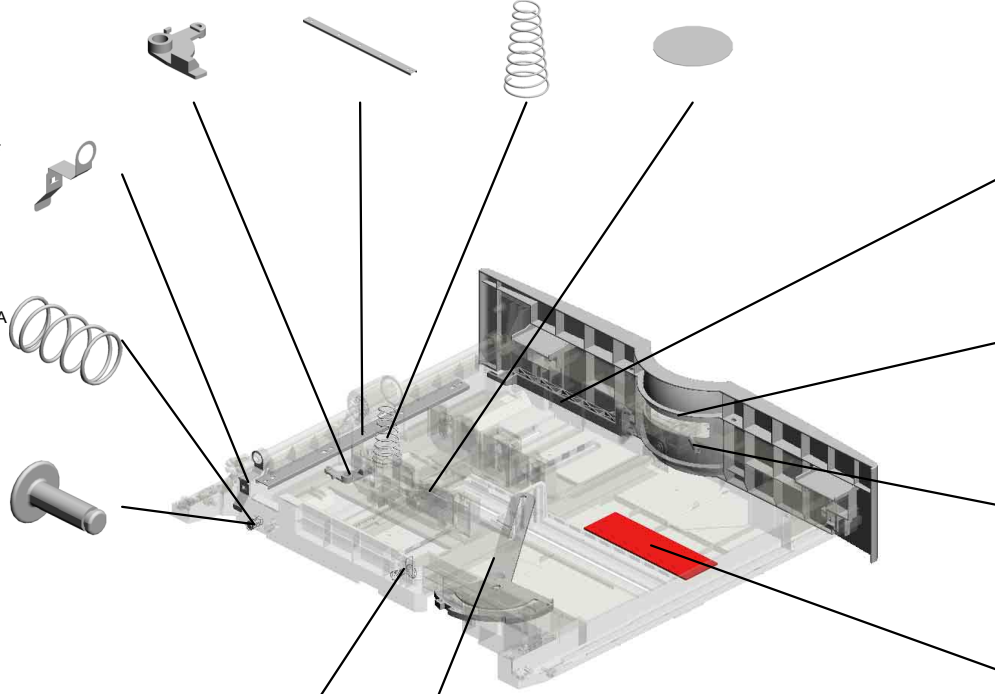


37.D1062522
 PAPER TRAY:NO.2:EU:ASS'Y

24.D0392569
 GROUND PLATE:FRONT

31.D0392834
 SPRING:TRAY:REAR

36.D1052833
 SHAFT:COIL SPRING



28.D0392810
 LEVER:RELEASE:PAPER TRAY

33.D0412558
 COVER:PAPER TRAY:NO.2:EU

23.D0392567
 TENSION SPRING:GRIP:LEFT

32.D0392835
 DECAL:PAPER SET DIRECTION

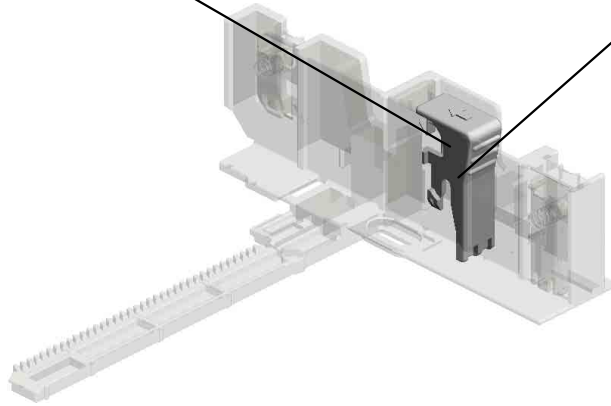
35.D1052719
 COIL SPRING:EAR TH:TRAY BOTTOM PLATE

39.G0702710
 PAPER SIZE SENSOR LINK

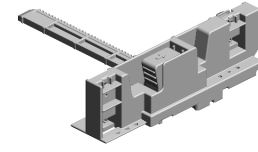
U001	U002	U003	U004	U005	U006	U007	U008	U009	U010	U011	U012	U013	U014	U015	U016	U017	U018	U019	U020	U021
------	------	------	------	------	-------------	------	------	------	------	------	------	------	------	------	------	------	------	------	------	------

U006_S001_S001
SIDE FENCE:FRONT:ASS'Y

41.G0702713
SPRING PLATE ST
OPPER



42.G0702714
FRONT LEVER - ST
OPPER

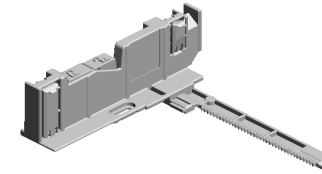


25.D0392583
SIDE FENCE:FRON
T:ASS'Y

U001	U002	U003	U004	U005	U006	U007	U008	U009	U010	U011	U012	U013	U014	U015	U016	U017	U018	U019	U020	U021
------	------	------	------	------	-------------	------	------	------	------	------	------	------	------	------	------	------	------	------	------	------

U006_S001_S002
SIDE FENCE:REAR:ASS'Y

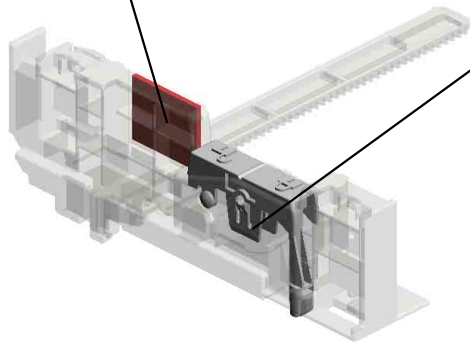
15.B2232873
DECAL - SIDE FEN
CE REAR



26.D0392584
SIDE FENCE:REAR
:ASS'Y



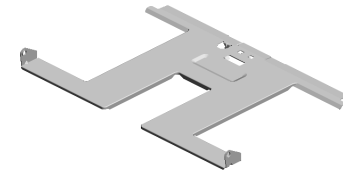
43.G0702718
REAR LEVER - ST
OPPER



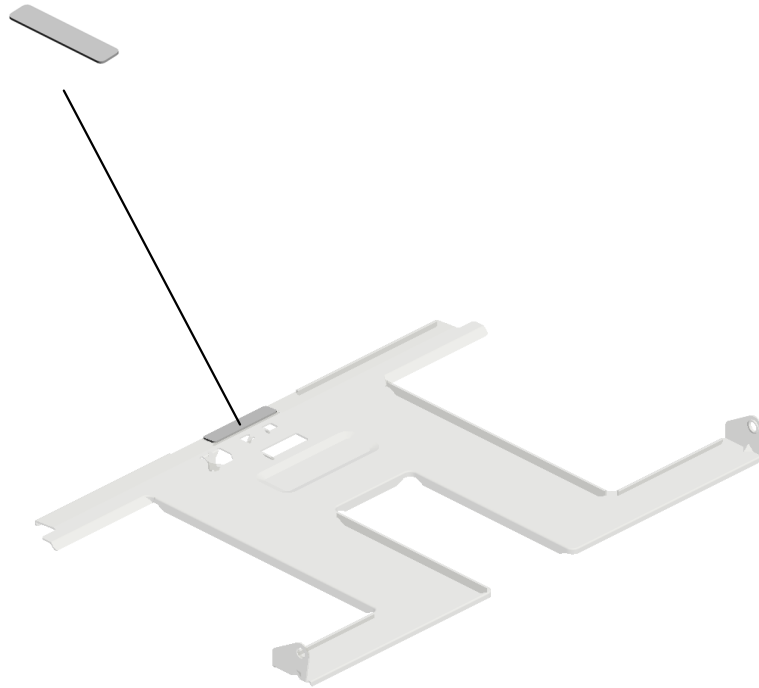
U001	U002	U003	U004	U005	U006	U007	U008	U009	U010	U011	U012	U013	U014	U015	U016	U017	U018	U019	U020	U021
------	------	------	------	------	-------------	------	------	------	------	------	------	------	------	------	------	------	------	------	------	------

U006_S001_S003
TRAY BOTTOM PLATE:ASS'Y

4.52152713
BOTTOM PLATE P
AD



27.D0392585
TRAY BOTTOM PL
ATE:ASS'Y



U001	U002	U003	U004	U005	U006	U007	U008	U009	U010	U011	U012	U013	U014	U015	U016	U017	U018	U019	U020	U021
------	------	------	------	------	-------------	------	------	------	------	------	------	------	------	------	------	------	------	------	------	------

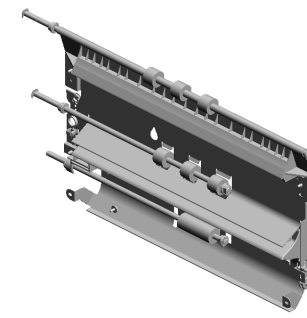
U007 Vertical Transport

5.AA082101
(x6)
BUSHING - 6X10X6

2.08050089
(x7)
RETAINING RING -
M4

4.11050692
CLAMP:LES-0503

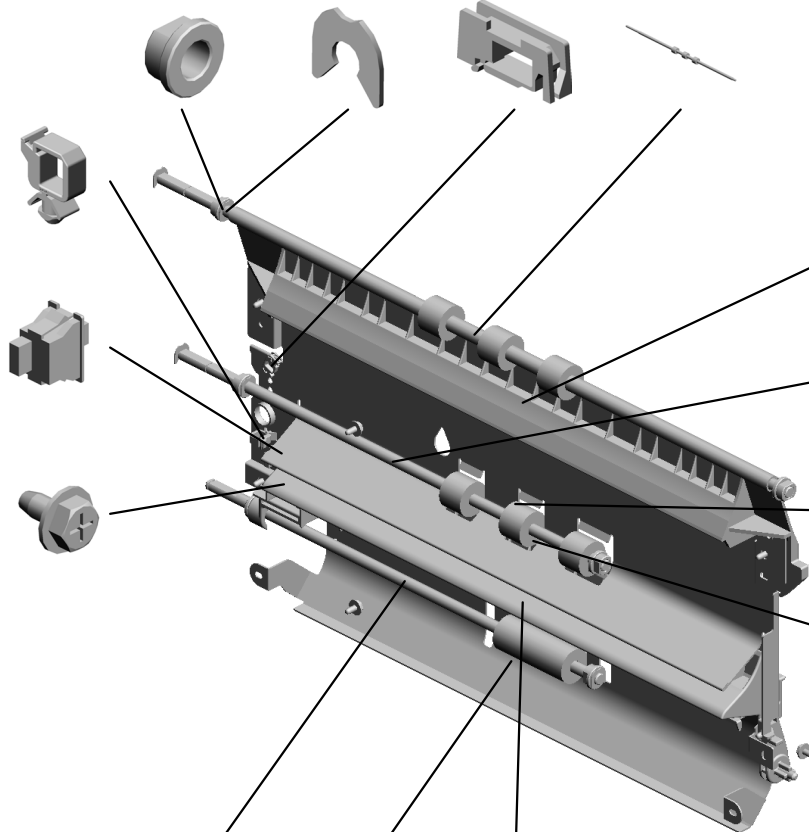
6.D0392912
ROLLER:VERTICAL
TRANSPORT:DRIV
E:F1



3.11050534
CLAMP

14.G0205626
PUSH SWITCH

1.04513006N
(x8)
TAPPING SCREW -
3X6



8.D0392921
GUIDE PLATE:VER
TICAL TRANSPOR
T:F1

12.D1052909
ROLLER:VERTICAL
TRANSPORT:DRIV
E:F2

7.D0392916
GUIDE PLATE:VER
TICAL TRANSPOR
T:F2

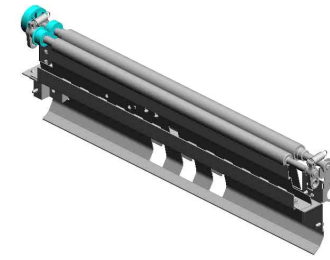
10.D0392928
SHEET:VERTICAL
TRANSPORT:SWIV
EL

13.D1052910
ROLLER:VERTICAL
TRANSPORT:DRIV
E:F3

11.D0392930
GUIDE PLATE:VER
TICAL TRANSPOR
T:F3:LEFT

9.D0392927
GUIDE PLATE:VER
TICAL TRANSPOR
T:SWIVEL

U008 Paper Registration



- 14.D0392642 SHEET:CLEANER:1 ST
- 10.D0392621 REGISTRATION ROLLER:DRIVEN
- 8.D0392611 REGISTRATION ROLLER:DRIVE
- 16.D0392651 GUIDE PLATE:REGISTRATION:RIGHT
- 17.D0392652 SHEET:REGISTRATION:RIGHT

9.D0392612
GEAR:REGISTRATION:33Z



12.D0392623
GEAR:REGISTRATION:24Z



11.D0392622
GEAR:REGISTRATION:21Z



4.11050511
(x6)
HARNESS CLAMP - LWS-0306ZC



6.AW010107
PAPER FEED SENSOR



13.D0392641
BRACKET:CLEANER



15.D0392645
GUIDE PLATE:REGISTRATION:LEFT



1.04513006N
(x6)
TAPPING SCREW - 3X6



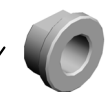
7.B2382675
(x2)
REGISTRATION ROLLER BUSHING



18.D0392676
(x2)
TENSION SPRING: REGISTRATION



5.AA082101
(x2)
BUSHING - 6X10X6



3.08050089
RETAINING RING - M4



2.04543006Q
(x4)
TAPPING SCREW - M3X6



U009.Tonner Supply

U009_S007
D1053317
DRIVE UNIT:TONER SUPPLY
SUB-UNIT:ASS'Y

U009_S005
D1053317
DRIVE UNIT:TONER SUPPLY
SUB-UNIT:ASS'Y

U009_S006
D1053317
DRIVE UNIT:TONER SUPPLY
SUB-UNIT:ASS'Y

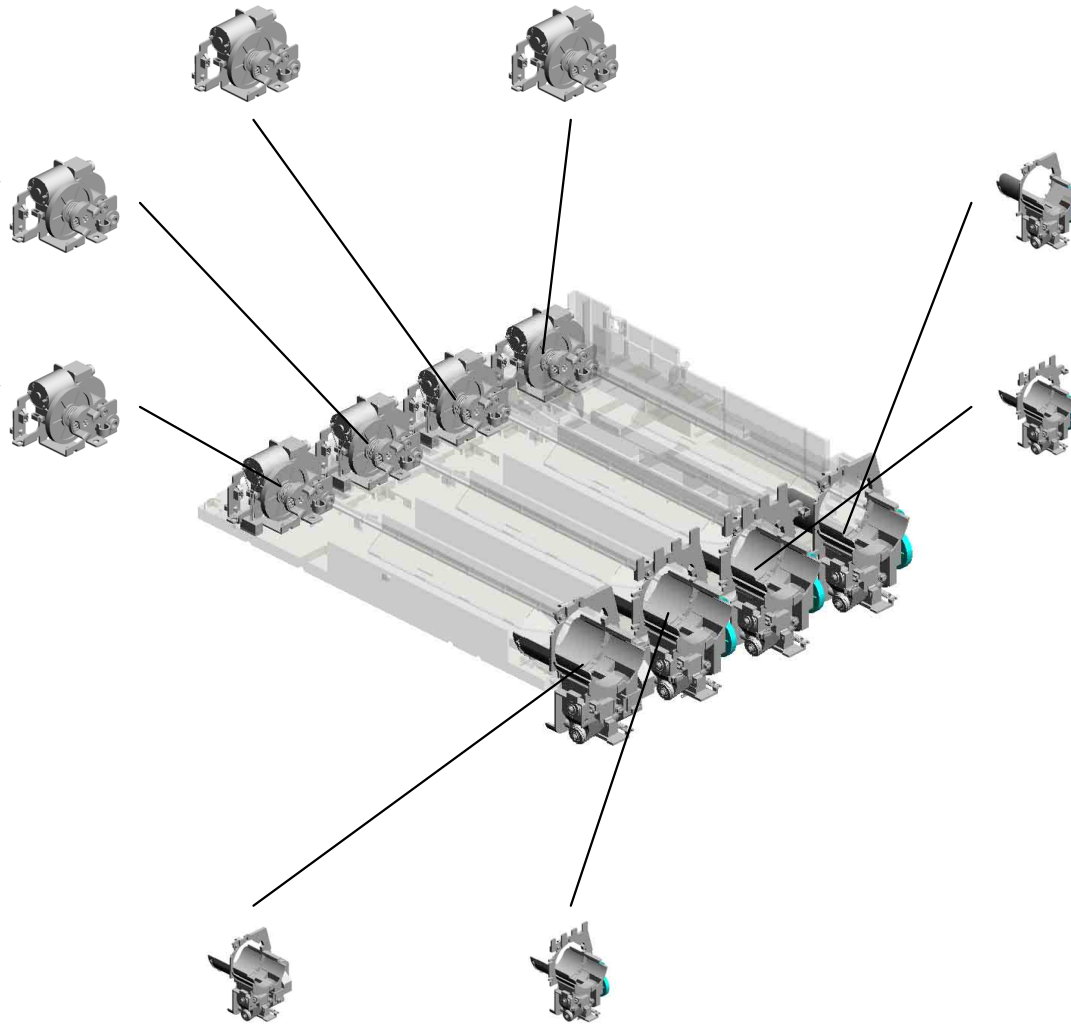
U009_S001
D8303045
SERVICE PARTS:TONER SU
PLY UNIT:BK:ASS'Y

U009_S008
D1053317
DRIVE UNIT:TONER SUPPLY
SUB-UNIT:ASS'Y

U009_S002
D8093046
TONER SUPPLY UNIT:C

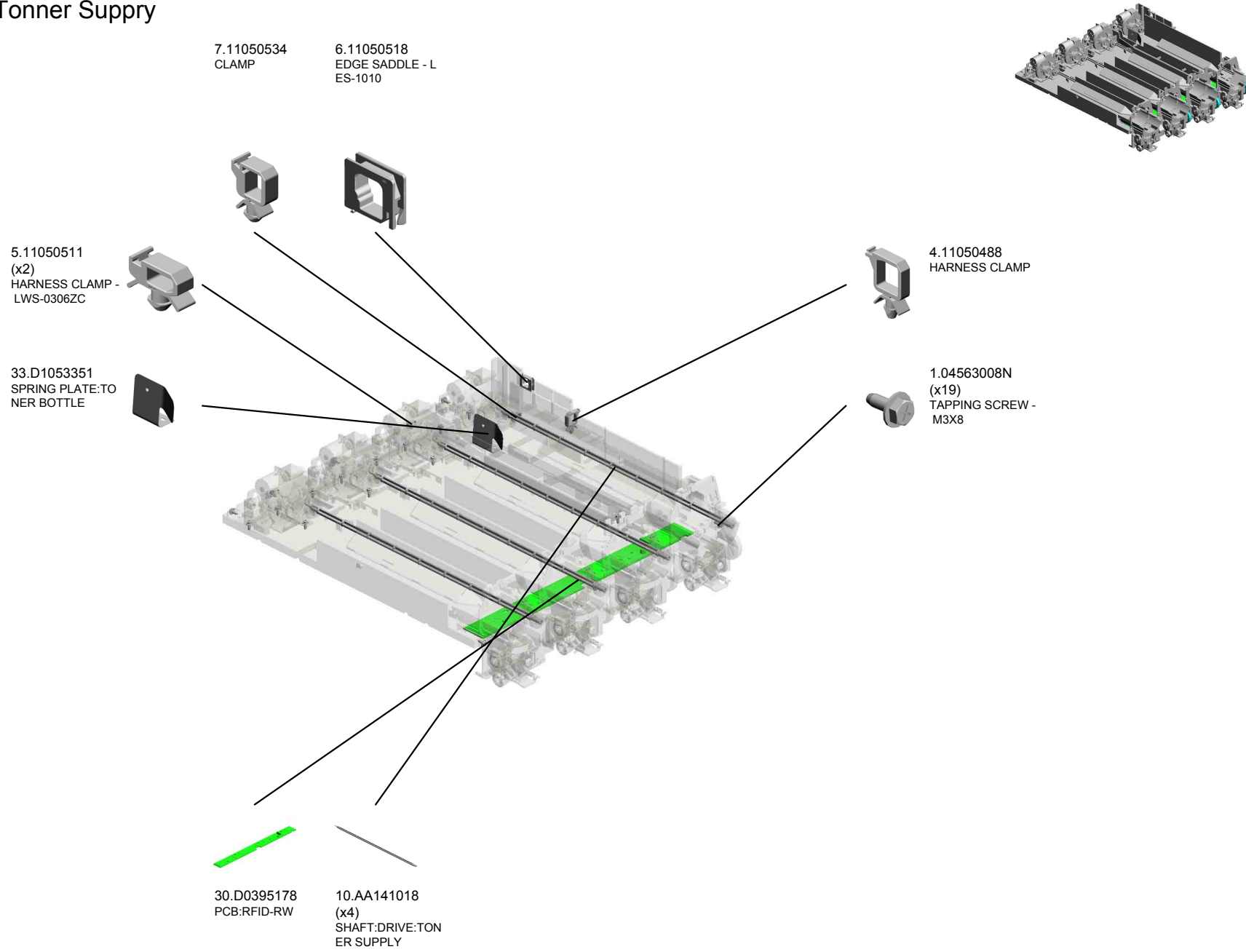
U009_S004
D8093048
TONER SUPPLY UNIT:Y

U009_S003
D8093047
TONER SUPPLY UNIT:M



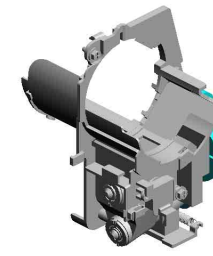
U001	U002	U003	U004	U005	U006	U007	U008	U009	U010	U011	U012	U013	U014	U015	U016	U017	U018	U019	U020	U021
------	------	------	------	------	------	------	------	------	------	------	------	------	------	------	------	------	------	------	------	------

U009 Tonner Suppry



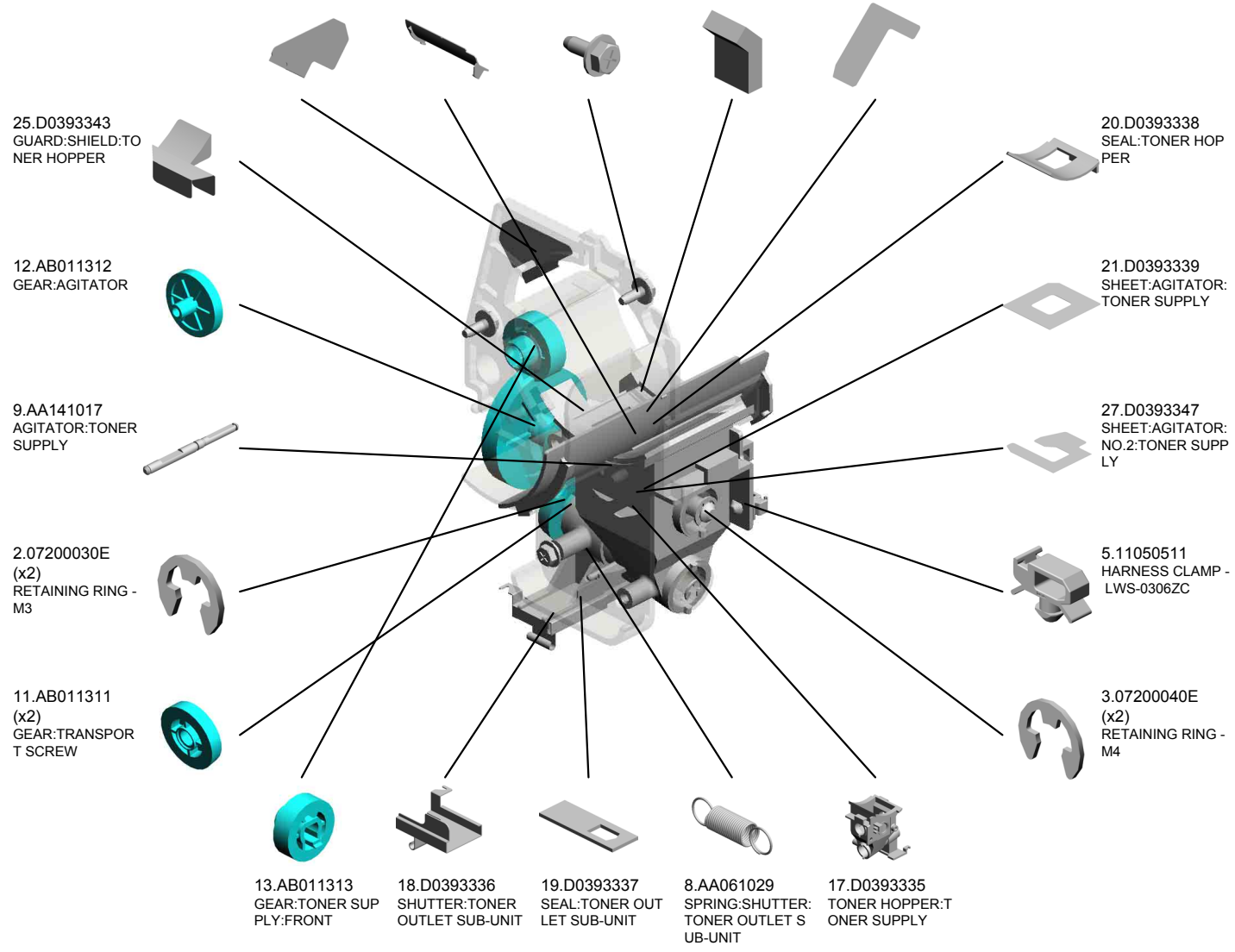
U001	U002	U003	U004	U005	U006	U007	U008	U009	U010	U011	U012	U013	U014	U015	U016	U017	U018	U019	U020	U021
------	------	------	------	------	------	------	------	------	------	------	------	------	------	------	------	------	------	------	------	------

U009_S001
 SERVICE PARTS:TONER SUPPLY UNIT:BK:ASS'Y



37.D8303045
 SERVICE PARTS:T
 ONER SUPPLY UNI
 T:BK:ASS'Y

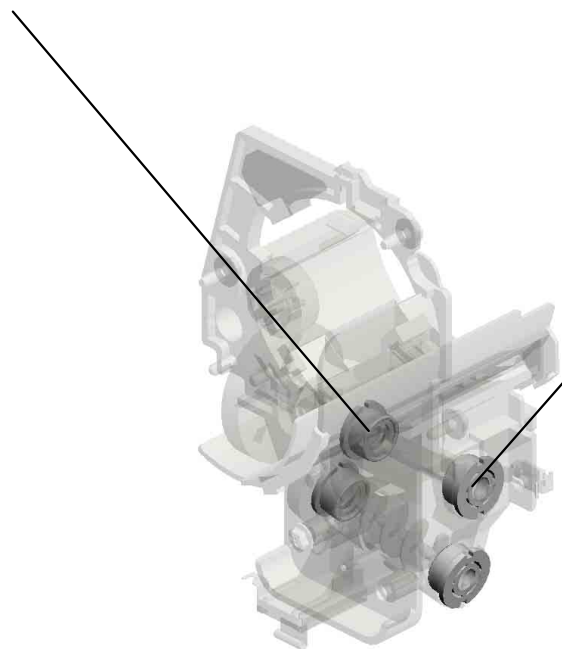
28.D0393350 GUIDE:TONER BO
 TTLE:9MM
 23.D0393341 SHUTTER:TONER
 SUPPLY UNIT
 1.04563008N (x4)
 TAPPING SCREW -
 M3X8
 26.D0393344 SEAL:TONER CAT
 CHPAN:TONER SU
 PPLY UNIT
 32.D1053342 SEAL:COVER:TON
 ER SUPPLY:BK



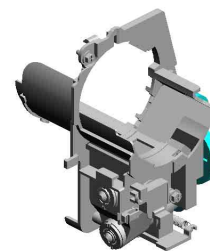
U001	U002	U003	U004	U005	U006	U007	U008	U009	U010	U011	U012	U013	U014	U015	U016	U017	U018	U019	U020	U021
------	------	------	------	------	------	------	------	-------------	------	------	------	------	------	------	------	------	------	------	------	------

U009_S001
SERVICE PARTS:TONER SUPPLY UNIT:BK:ASS'Y

38.GA080033
(x2)
BUSHING:AGITAT
OR:RIGHT:ASSY



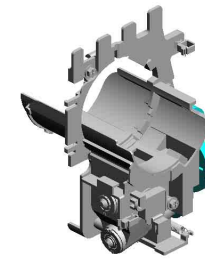
39.GA080037
(x2)
BUSHING:AGITAT
OR:LEFT:ASSY



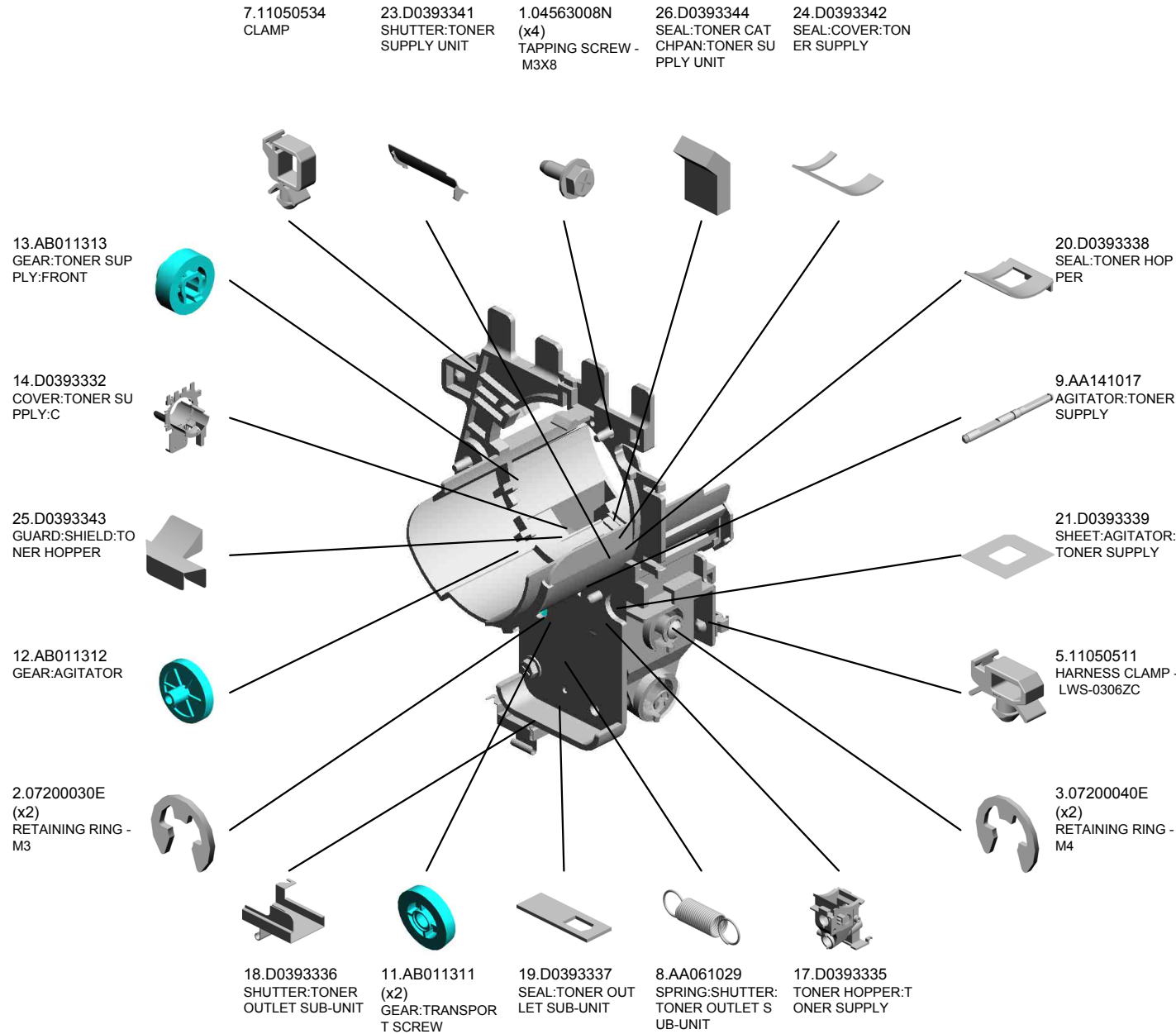
37.D8303045
SERVICE PARTS:T
ONER SUPPLY UNI
T:BK:ASSY

U001	U002	U003	U004	U005	U006	U007	U008	U009	U010	U011	U012	U013	U014	U015	U016	U017	U018	U019	U020	U021
------	------	------	------	------	------	------	------	------	------	------	------	------	------	------	------	------	------	------	------	------

U009_S002
TONER SUPPLY UNIT:C

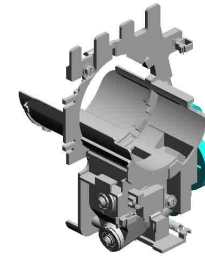


34.D8093046
TONER SUPPLY U
NIT:C



U009_S002
TONER SUPPLY UNIT:C

28.D0393350
GUIDE:TONER BO
TTLE:9MM

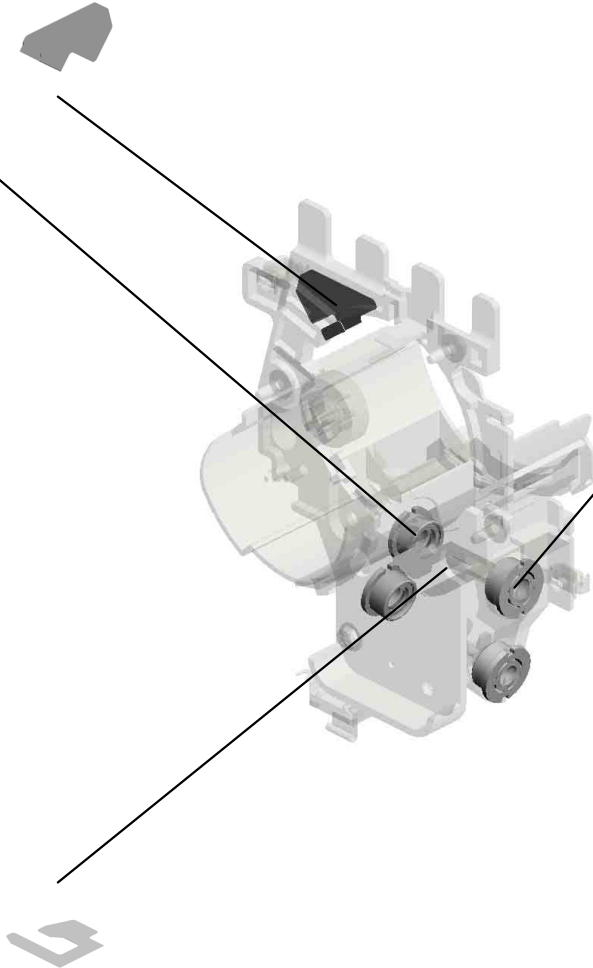


34.D8093046
TONER SUPPLY U
NIT:C

38.GA080033
(x2)
BUSHING:AGITAT
OR:RIGHT:ASS'Y



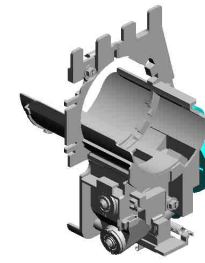
39.GA080037
(x2)
BUSHING:AGITAT
OR:LEFT:ASS'Y



27.D0393347
SHEET:AGITATOR:
NO.2:TONER SUPP
LY

U001	U002	U003	U004	U005	U006	U007	U008	U009	U010	U011	U012	U013	U014	U015	U016	U017	U018	U019	U020	U021
------	------	------	------	------	------	------	------	------	------	------	------	------	------	------	------	------	------	------	------	------

U009_S003
TONER SUPPLY UNIT:M



35.D8093047
TONER SUPPLY U
NIT:M

13.AB011313 GEAR:TONER SUPPLY:FRONT
23.D0393341 SHUTTER:TONER SUPPLY UNIT
1.04563008N (x4) TAPPING SCREW - M3X8
26.D0393344 SEAL:TONER CAT CHPAN:TONER SUPPLY UNIT
24.D0393342 SEAL:COVER:TONER SUPPLY

15.D0393333 COVER:TONER SUPPLY:M

25.D0393343 GUARD:SHIELD:TONER HOPPER

12.AB011312 GEAR:AGITATOR

9.AA141017 AGITATOR:TONER SUPPLY

2.07200030E (x2) RETAINING RING - M3

11.AB011311 (x2) GEAR:TRANSPORT SCREW

19.D0393337 SEAL:TONER OUTLET SUB-UNIT

8.AA061029 SPRING:SHUTTER:TONER OUTLET SUB-UNIT

18.D0393336 SHUTTER:TONER OUTLET SUB-UNIT

17.D0393335 TONER HOPPER:TONER SUPPLY

20.D0393338 SEAL:TONER HOPPER

21.D0393339 SHEET:AGITATOR:TONER SUPPLY

27.D0393347 SHEET:AGITATOR:NO.2:TONER SUPPLY

5.11050511 HARNESS CLAMP - LWS-0306ZC

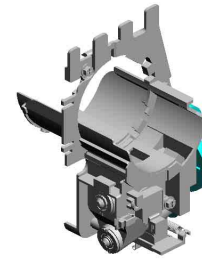
3.07200040E (x2) RETAINING RING - M4

U001	U002	U003	U004	U005	U006	U007	U008	U009	U010	U011	U012	U013	U014	U015	U016	U017	U018	U019	U020	U021
------	------	------	------	------	------	------	------	-------------	------	------	------	------	------	------	------	------	------	------	------	------

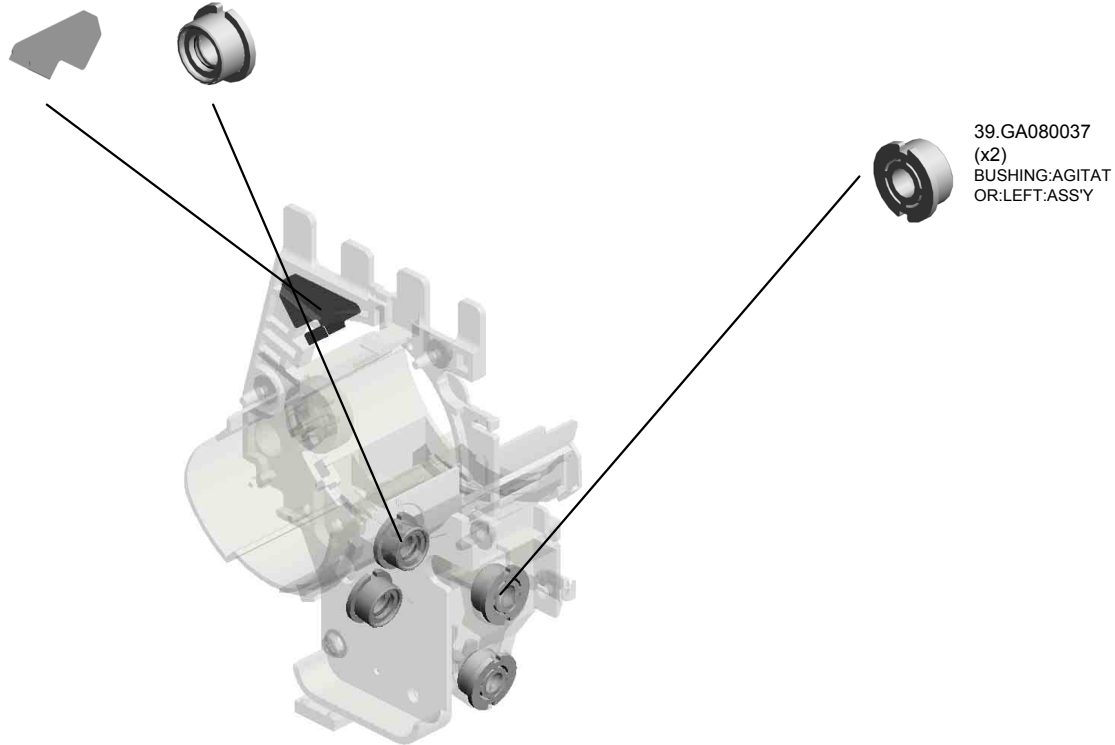
U009_S003
TONER SUPPLY UNIT:M

28.D0393350
GUIDE:TONER BO
TTLE:9MM

38.GA080033
(x2)
BUSHING:AGITAT
OR:RIGHT:ASS'Y



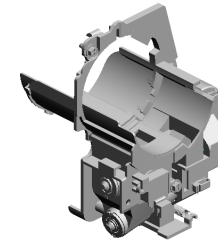
35.D8093047
TONER SUPPLY U
NIT:M



39.GA080037
(x2)
BUSHING:AGITAT
OR:LEFT:ASS'Y

U001	U002	U003	U004	U005	U006	U007	U008	U009	U010	U011	U012	U013	U014	U015	U016	U017	U018	U019	U020	U021
------	------	------	------	------	------	------	------	------	------	------	------	------	------	------	------	------	------	------	------	------

U009_S004
 TONER SUPPLY UNIT:Y



36.D8093048
 TONER SUPPLY U
 NIT:Y

13.AB011313 GEAR:TONER SUPPLY:FRONT
 5.11050511 (x2) HARNESS CLAMP - LWS-0306ZC
 1.04563008N (x4) TAPPING SCREW - M3X8
 26.D0393344 SEAL:TONER CAT CHPAN:TONER SUPPLY UNIT
 24.D0393342 SEAL:COVER:TONER SUPPLY

22.D0393340 COVER:HARNESS:TONER SUPPLY

25.D0393343 GUARD:SHIELD:TONER HOPPER

16.D0393334 COVER:TONER SUPPLY:Y

12.AB011312 GEAR:AGITATOR

2.07200030E (x2) RETAINING RING - M3

18.D0393336 SHUTTER:TONER OUTLET SUB-UNIT

11.AB011311 (x2) GEAR:TRANSPORT SCREW

19.D0393337 SEAL:TONER OUTLET SUB-UNIT

8.AA061029 SPRING:SHUTTER:TONER OUTLET SUB-UNIT

17.D0393335 TONER HOPPER:TONER SUPPLY

20.D0393338 SEAL:TONER HOPPER

23.D0393341 SHUTTER:TONER SUPPLY UNIT

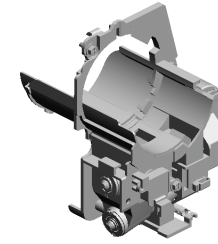
9.AA141017 AGITATOR:TONER SUPPLY

21.D0393339 SHEET:AGITATOR:TONER SUPPLY

3.07200040E (x2) RETAINING RING - M4

U009_S004
TONER SUPPLY UNIT:Y

28.D0393350
GUIDE:TONER BO
TTLE:9MM



36.D8093048
TONER SUPPLY U
NIT:Y

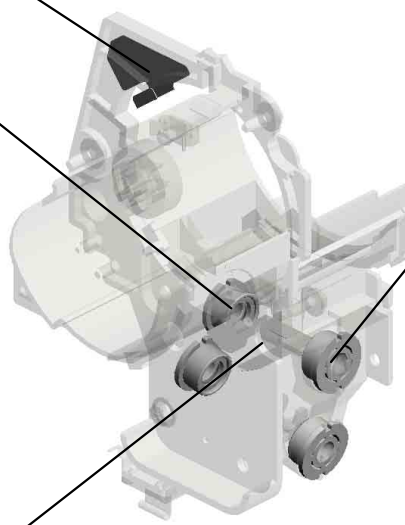
38.GA080033
(x2)
BUSHING:AGITAT
OR:RIGHT:ASS'Y



39.GA080037
(x2)
BUSHING:AGITAT
OR:LEFT:ASS'Y



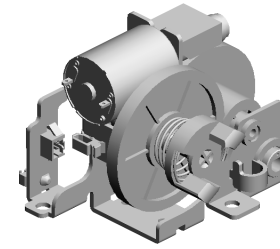
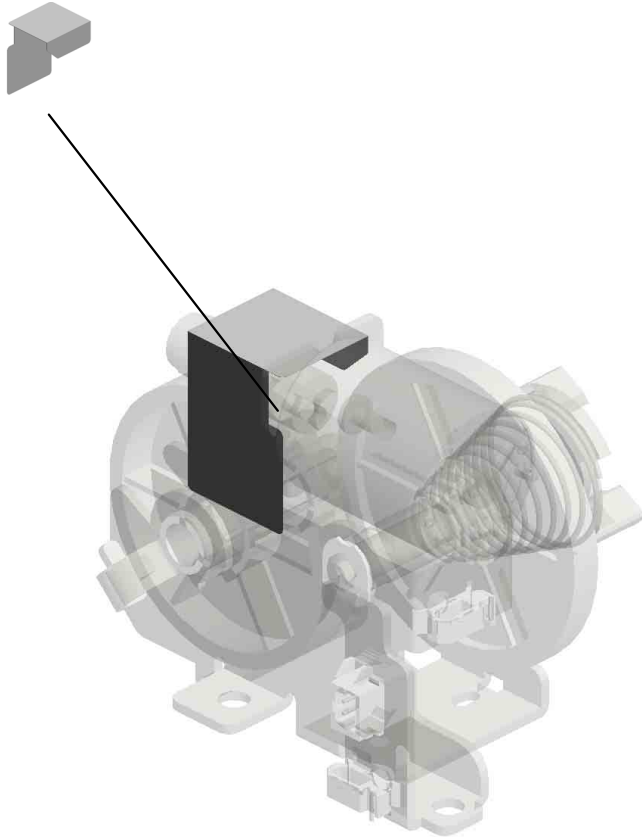
27.D0393347
SHEET:AGITATOR:
NO.2:TONER SUPP
LY



U001	U002	U003	U004	U005	U006	U007	U008	U009	U010	U011	U012	U013	U014	U015	U016	U017	U018	U019	U020	U021
------	------	------	------	------	------	------	------	------	------	------	------	------	------	------	------	------	------	------	------	------

U009_S005
DRIVE UNIT:TONER SUPPLY SUB-UNIT:ASS'Y

29.D0393367
SHEET:BRACKET:
TONER SUPPLY

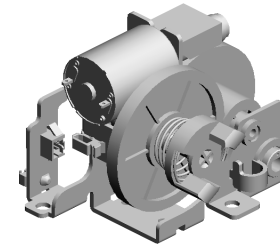
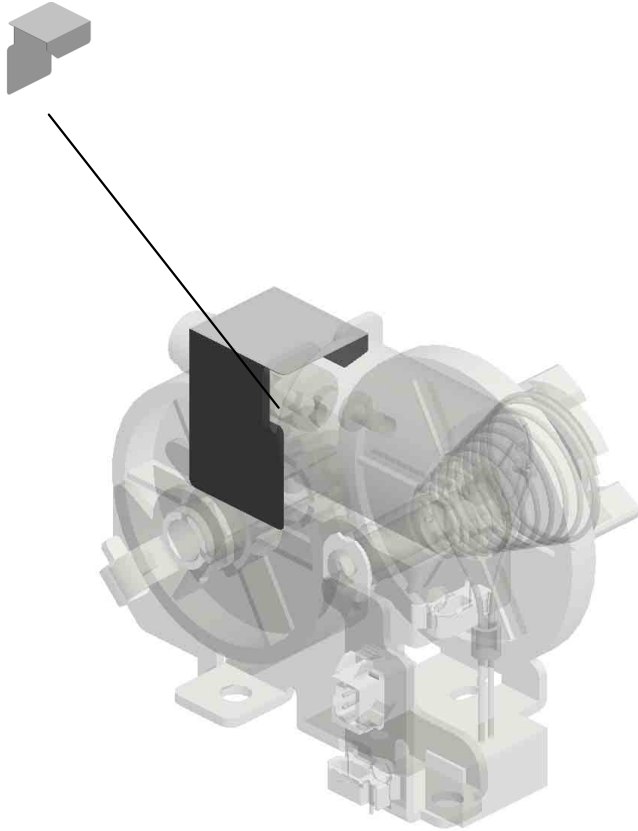


31.D1053317
DRIVE UNIT:TONER
SUPPLY SUB-UNIT:
ASS'Y

U001	U002	U003	U004	U005	U006	U007	U008	U009	U010	U011	U012	U013	U014	U015	U016	U017	U018	U019	U020	U021
------	------	------	------	------	------	------	------	------	------	------	------	------	------	------	------	------	------	------	------	------

U009_S006
DRIVE UNIT:TONER SUPPLY SUB-UNIT:ASS'Y

29.D0393367
SHEET:BRACKET:
TONER SUPPLY

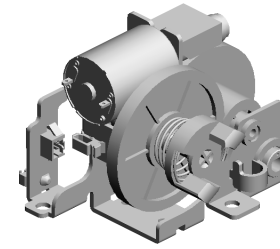
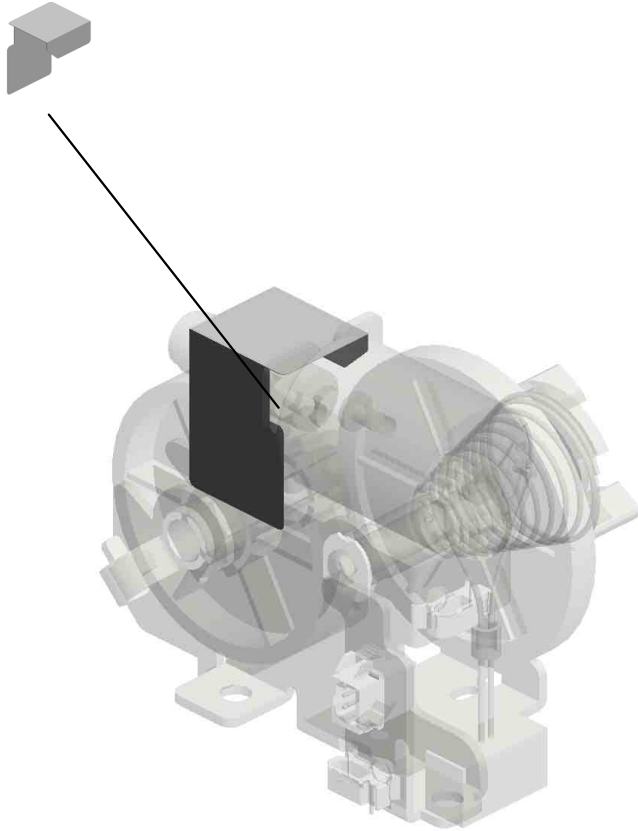


31.D1053317
DRIVE UNIT:TONER
SUPPLY SUB-UNIT:
ASS'Y

U001	U002	U003	U004	U005	U006	U007	U008	U009	U010	U011	U012	U013	U014	U015	U016	U017	U018	U019	U020	U021
------	------	------	------	------	------	------	------	------	------	------	------	------	------	------	------	------	------	------	------	------

U009_S007
DRIVE UNIT:TONER SUPPLY SUB-UNIT:ASS'Y

29.D0393367
SHEET:BRACKET:
TONER SUPPLY

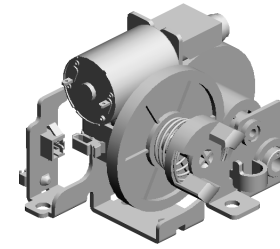
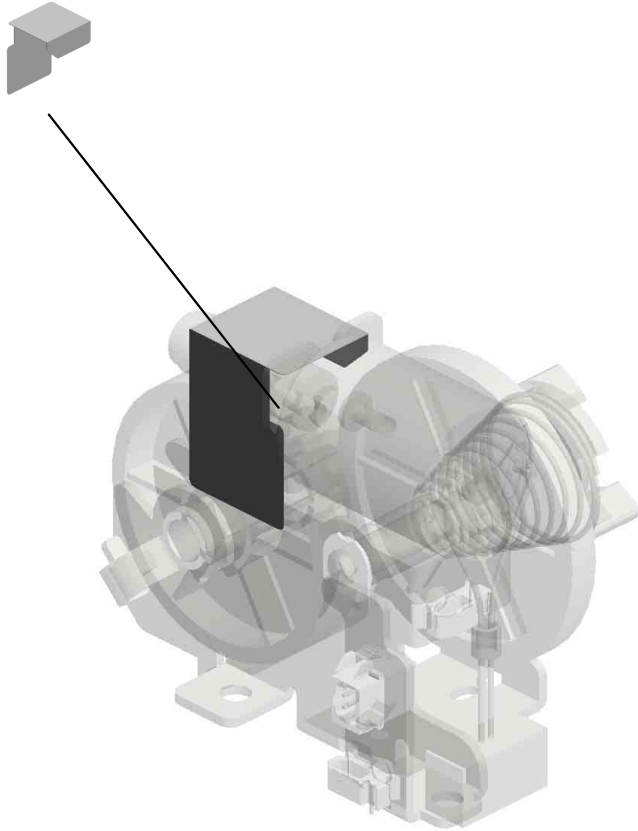


31.D1053317
DRIVE UNIT:TONER
SUPPLY SUB-UNIT:
ASS'Y

U001	U002	U003	U004	U005	U006	U007	U008	U009	U010	U011	U012	U013	U014	U015	U016	U017	U018	U019	U020	U021
------	------	------	------	------	------	------	------	------	------	------	------	------	------	------	------	------	------	------	------	------

U009_S008
DRIVE UNIT:TONER SUPPLY SUB-UNIT:ASS'Y

29.D0393367
SHEET:BRACKET:
TONER SUPPLY



31.D1053317
DRIVE UNIT:TONER
SUPPLY SUB-UNIT:
ASS'Y

U001	U002	U003	U004	U005	U006	U007	U008	U009	U010	U011	U012	U013	U014	U015	U016	U017	U018	U019	U020	U021
------	------	------	------	------	------	------	------	------	------	------	------	------	------	------	------	------	------	------	------	------

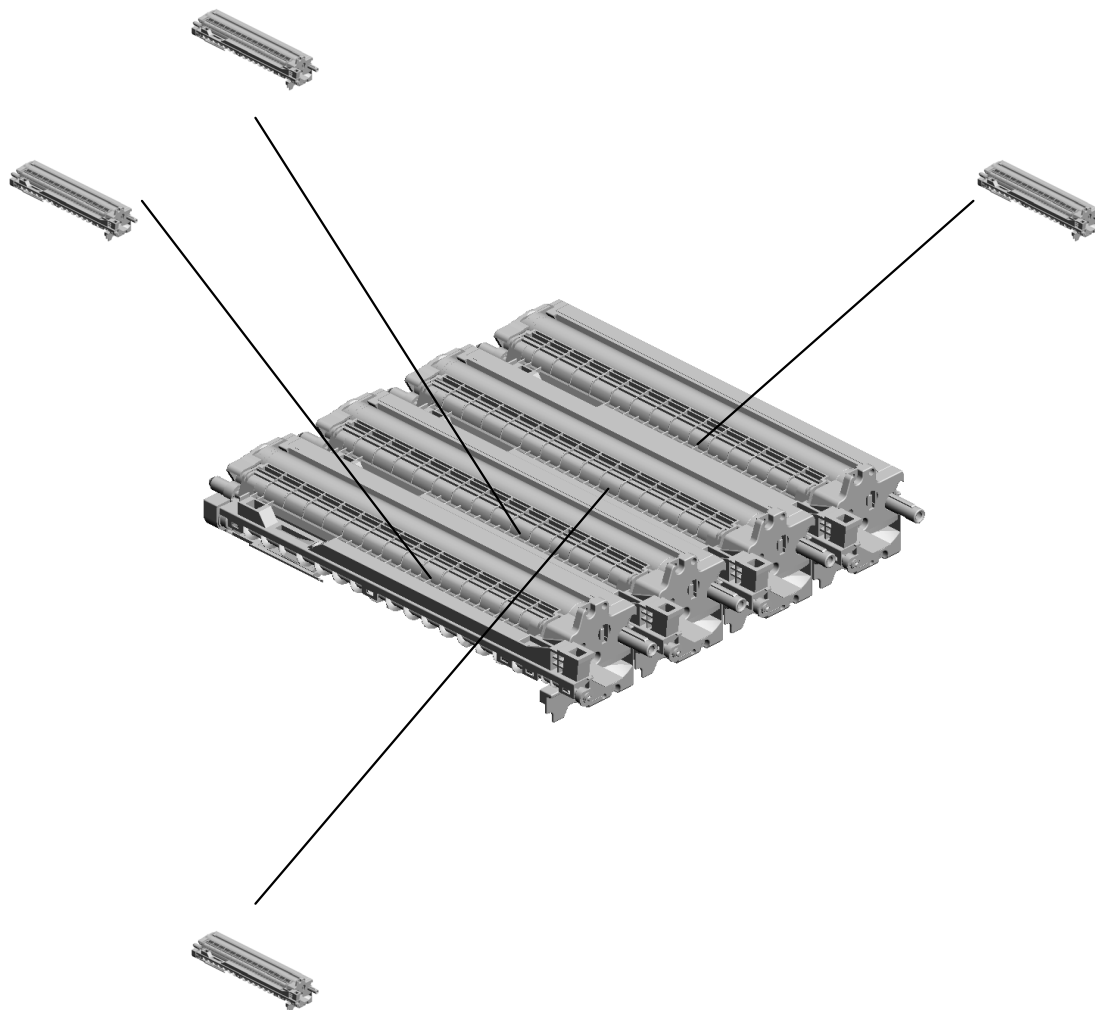
U010.PCDU

U010_S003
D8092002
PCU:M:SERVICE

U010_S004
D8092003
PCU:Y:SERVICE

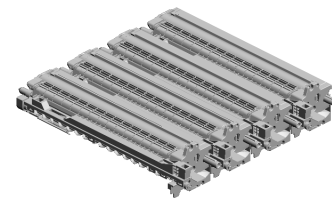
U010_S001
D8302000
PCU:BK:SERVICE

U010_S002
D8092001
PCU:C:SERVICE



U001	U002	U003	U004	U005	U006	U007	U008	U009	U010	U011	U012	U013	U014	U015	U016	U017	U018	U019	U020	U021
------	------	------	------	------	------	------	------	------	------	------	------	------	------	------	------	------	------	------	------	------

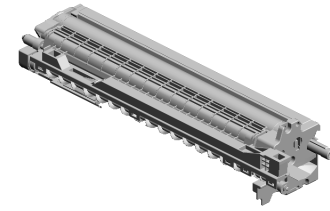
U010
PCDU



U001	U002	U003	U004	U005	U006	U007	U008	U009	U010	U011	U012	U013	U014	U015	U016	U017	U018	U019	U020	U021
------	------	------	------	------	------	------	------	------	------	------	------	------	------	------	------	------	------	------	------	------

U010_S001
PCU:BK:SERVICE

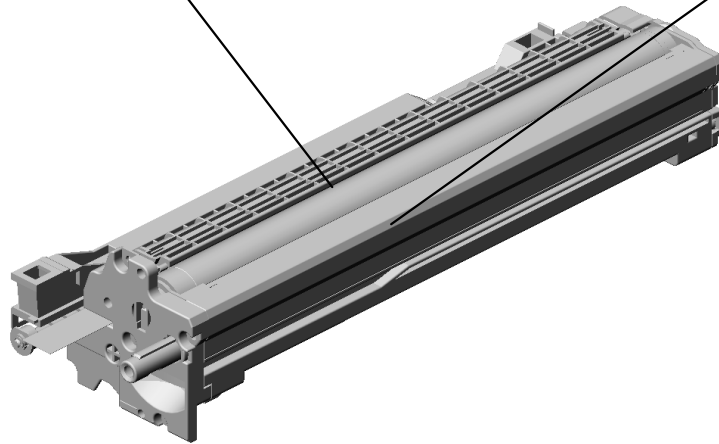
9.D8303001
DEVELOPMENT U
NIT:BK:SERVICE:A
SSY



8.D8302000
PCU:BK:SERVICE



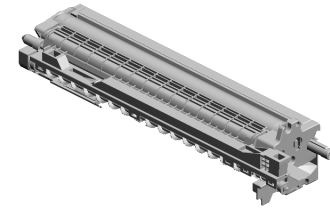
1.D0392030
PCU:ASS'Y



U001	U002	U003	U004	U005	U006	U007	U008	U009	U010	U011	U012	U013	U014	U015	U016	U017	U018	U019	U020	U021
------	------	------	------	------	------	------	------	------	------	------	------	------	------	------	------	------	------	------	------	------

U010_S002
PCU:C:SERVICE

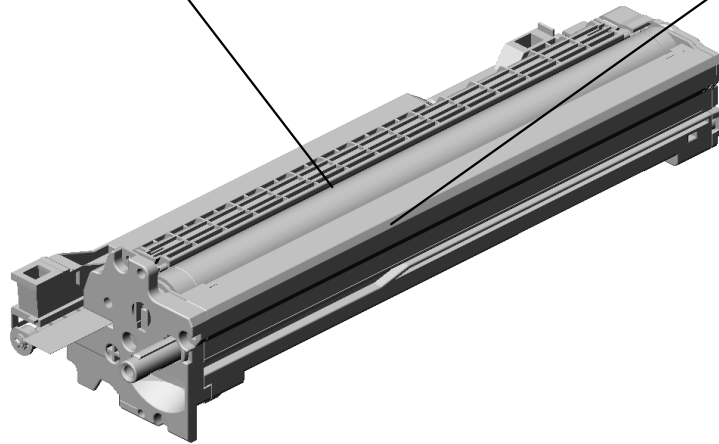
5.D8093002
DEVELOPMENT U
NIT:C:SERVICE:AS
SY



2.D8092001
PCU:C:SERVICE



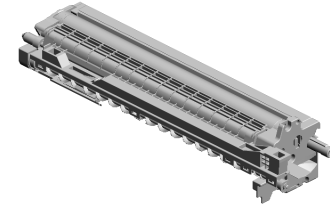
1.D0392030
PCU:ASS'Y



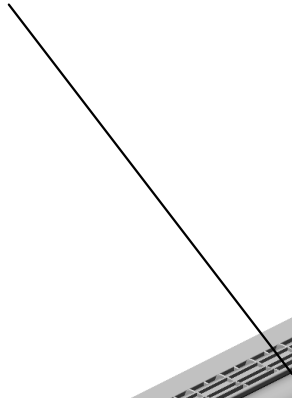
U001	U002	U003	U004	U005	U006	U007	U008	U009	U010	U011	U012	U013	U014	U015	U016	U017	U018	U019	U020	U021
------	------	------	------	------	------	------	------	------	------	------	------	------	------	------	------	------	------	------	------	------

U010_S003
PCU:M:SERVICE

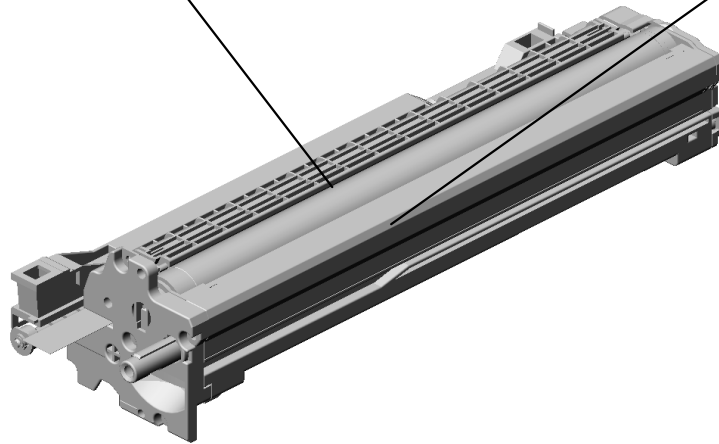
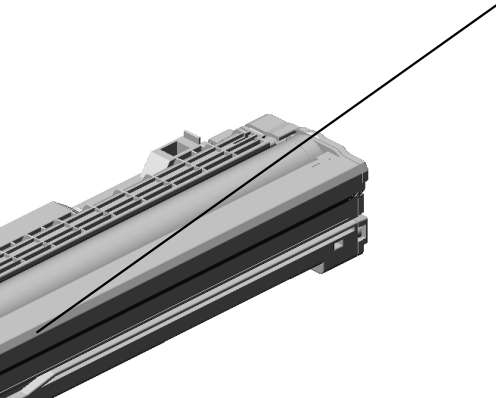
6.D8093003
DEVELOPMENT U
NIT:M:SERVICE:AS
S'Y



3.D8092002
PCU:M:SERVICE



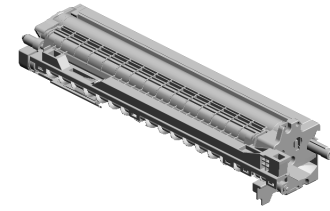
1.D0392030
PCU:ASS'Y



U001	U002	U003	U004	U005	U006	U007	U008	U009	U010	U011	U012	U013	U014	U015	U016	U017	U018	U019	U020	U021
------	------	------	------	------	------	------	------	------	------	------	------	------	------	------	------	------	------	------	------	------

U010_S004
PCU:Y:SERVICE

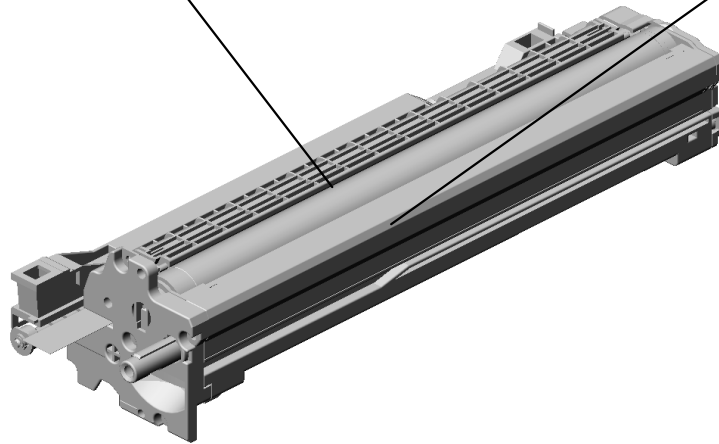
7.D8093004
DEVELOPMENT U
NIT:Y:SERVICE:AS
SY



4.D8092003
PCU:Y:SERVICE



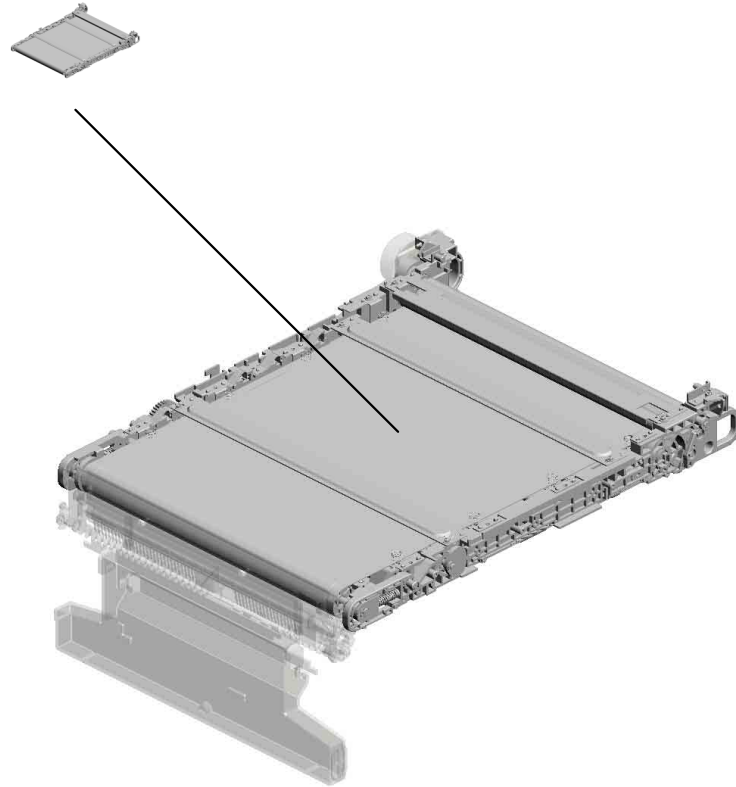
1.D0392030
PCU:ASS'Y



U001	U002	U003	U004	U005	U006	U007	U008	U009	U010	U011	U012	U013	U014	U015	U016	U017	U018	U019	U020	U021
------	------	------	------	------	------	------	------	------	------	------	------	------	------	------	------	------	------	------	------	------

U011.ITB Unit/ITB Cleaning

U011 S001
D1056003
TRANSFER UNIT:INTERMEDI
ATE TRANSFER:SERVICE:AS
SY

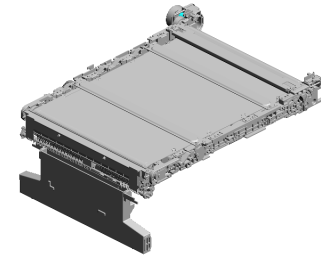


U001	U002	U003	U004	U005	U006	U007	U008	U009	U010	U011	U012	U013	U014	U015	U016	U017	U018	U019	U020	U021
------	------	------	------	------	------	------	------	------	------	------	------	------	------	------	------	------	------	------	------	------

U011 ITB Unit/ITB Cleaning

1.03530040N
(x3)
SCREW - M3X4

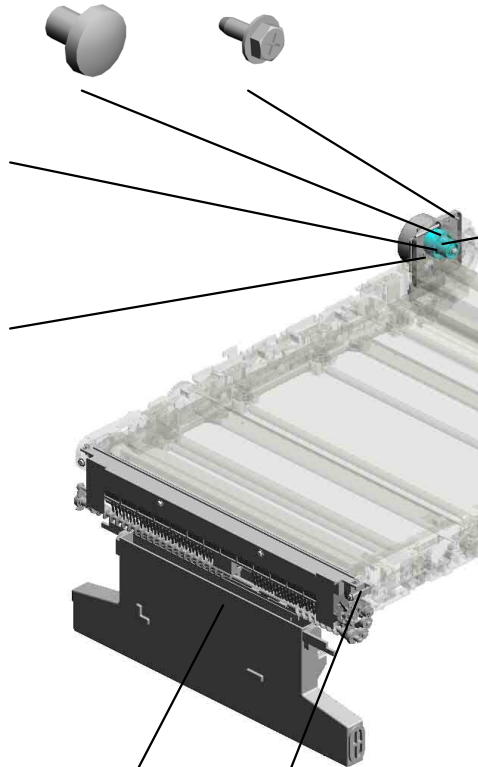
4.04563008N
(x3)
TAPPING SCREW -
M3X8



15.D0396119
BRACKET:INTERM
EDIATE TRANSFE
R:DRIVE:ASS'Y



9.AX050298
BRUSHLESS MOT
OR:INTERMEDIAT
E TRANSFER



16.D0396122
GEAR:INTERMEDI
ATE TRANSFER:N
O.1



2.03603020N
(x2)
SCREW:M3X20



19.D1056036
CLEANING UNIT:IN
TERMEDIATE TRA
NSFER:SERVICE:A
SS'Y

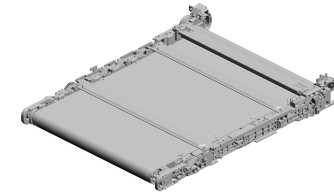
3.03603030N
(x2)
SCREW:M3X30



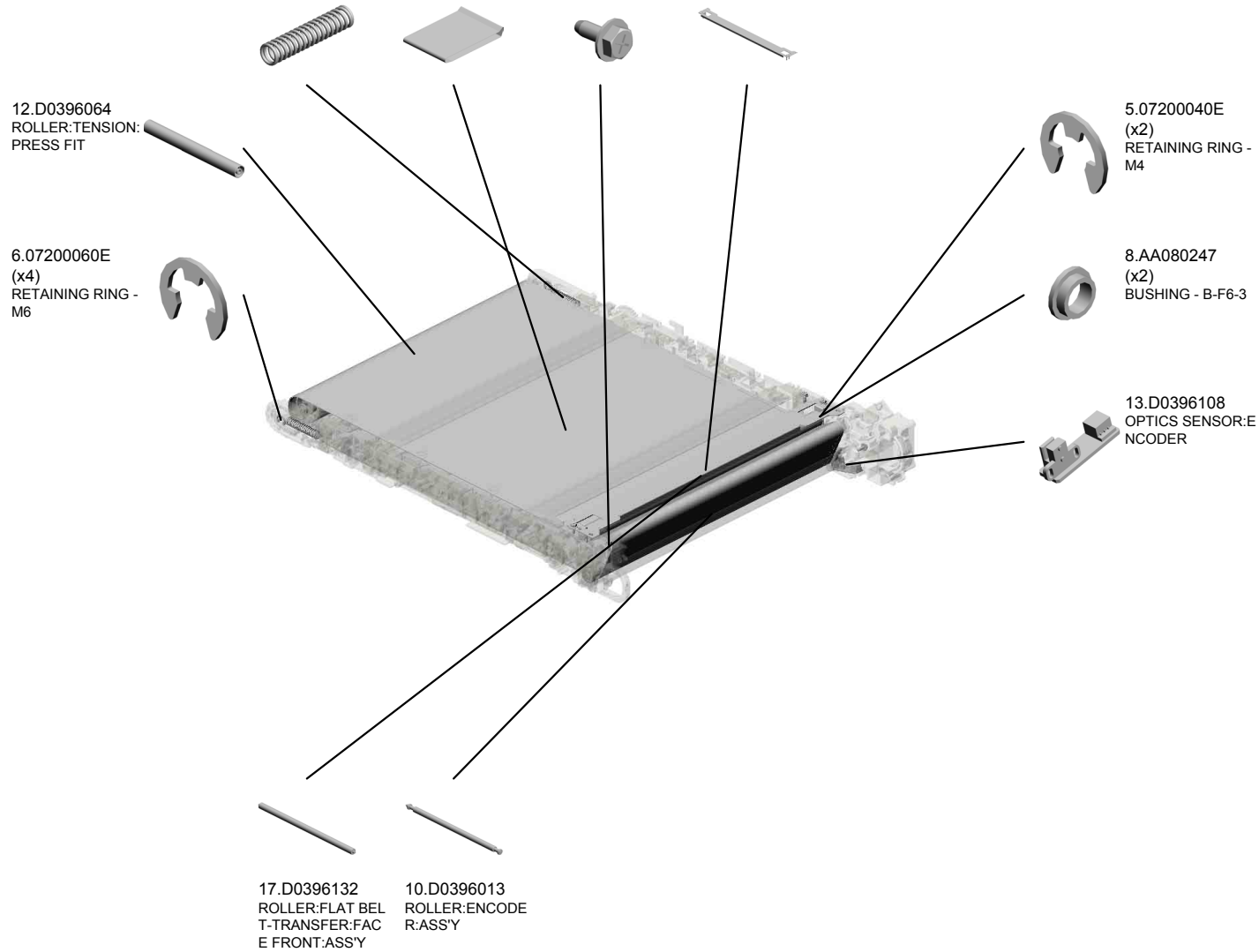
U011_S001

TRANSFER UNIT:INTERMEDIATE TRANSFER:SERVICE:ASS'Y

- 7.AA063456 (x2) COMPRESSION SPRING:ROLLER:TENSION
- 11.D0396029 TRANSFER BELT:ASS'Y
- 4.04563008N (x5) TAPPING SCREW - M3X8
- 14.D0396113 BRACKET:ROLLER:BELT:FACE FRONT

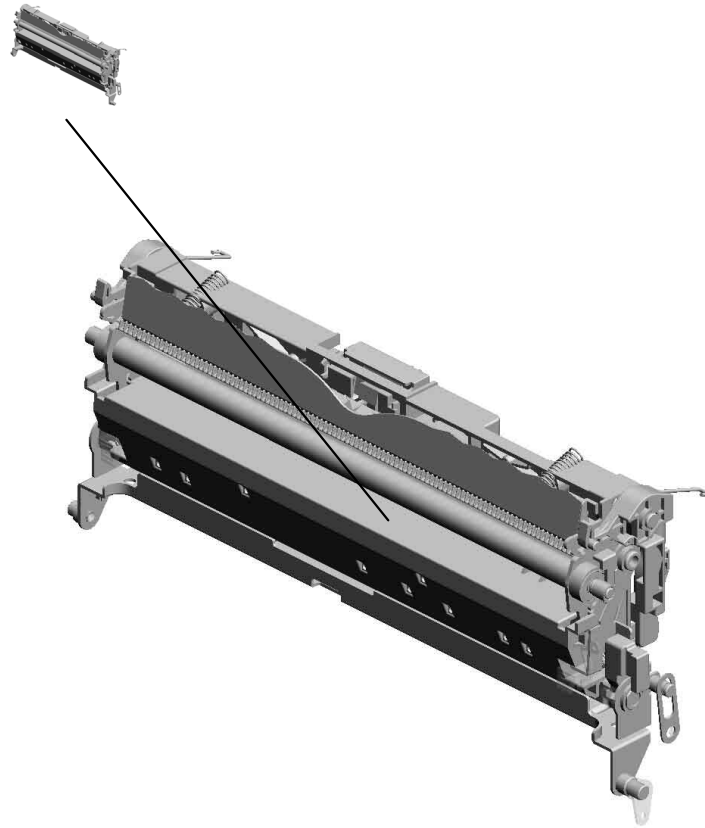


18.D1056003
TRANSFER UNIT:INTERMEDIATE TRANSFER:SERVICE:ASS'Y



U012.Paper Transfer

U012 S001
D0396204
TRANSFER/SEPARATION UN
IT:SECOND:ASSY

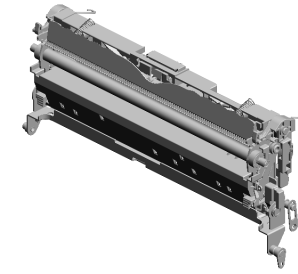


U001	U002	U003	U004	U005	U006	U007	U008	U009	U010	U011	U012	U013	U014	U015	U016	U017	U018	U019	U020	U021
------	------	------	------	------	------	------	------	------	------	------	------	------	------	------	------	------	------	------	------	------

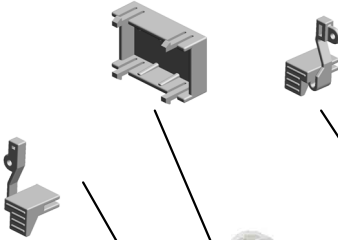
U012 Paper Transfer

36.D0396272
COVER:CONNECT
OR:ENTRANCE SE
NSOR

37.D0396273
STOPPER:LEVER:
FRONT



38.D0396274
STOPPER:LEVER:
REAR



2.04543006Q
TAPPING SCREW -
M3X6



5.08050097
RING SEPARATOR

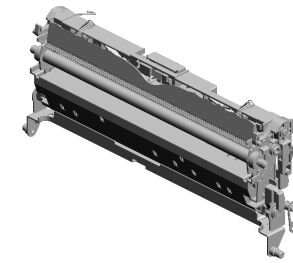


31.D0396261
PLAIN SHAFT BEA
RING:POSITIONIN
G:TRANSFER/SEP
ARATION UNIT



U001	U002	U003	U004	U005	U006	U007	U008	U009	U010	U011	U012	U013	U014	U015	U016	U017	U018	U019	U020	U021
------	------	------	------	------	------	------	------	------	------	------	------	------	------	------	------	------	------	------	------	------

U012_S001
TRANSFER/SEPARATION UNIT:SECOND:ASS'Y



8.D0396204
TRANSFER/SEPARATION UNIT:SECOND:ASSY

- 20.D0396233 TORSION SPRING: LEVER:SET:REAR
- 15.D0396228 LEVER:TRANSFER /SEPARATION UNIT:REAR
- 21.D0396235 TERMINAL:EARTH
- 7.AW010118 PAPER FEED SENSOR
- 19.D0396232 TORSION SPRING: LEVER:SET:FRONT

17.D0396230
LEVER:SET:REAR

11.D0396224
LEVER:PRESSURE:TRANSFER ROLLER:REAR

13.D0396226
(x2)
TERMINAL:EARTH:TRANSFER ROLLER

1.04513006N
(x5)
TAPPING SCREW - 3X6

6.11050511
(x5)
HARNESS CLAMP - LWS-0306ZC

22.D0396236
SHAFT:RELEASE

9.D0396210
TRANSFER/SEPARATION UNIT:SECOND:ASSY

3.04563010N
(x5)
TAPPING SCREW - M3X10

23.D0396239
GRIP:RELEASE

12.D0396225
(x2)
COMPRESSION SPRING:PRESSURE:TRANSFER ROLLER:18N

4.07200060E
(x2)
RETAINING RING - M6

14.D0396227
LEVER:TRANSFER /SEPARATION UNIT:FRONT

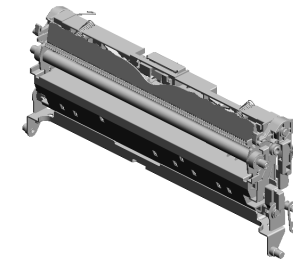
18.D0396231
(x2)
TENSION SPRING: LEVER:SET

16.D0396229
LEVER:SET:FRONT

10.D0396223
LEVER:PRESSURE:TRANSFER ROLLER:FRONT

U001	U002	U003	U004	U005	U006	U007	U008	U009	U010	U011	U012	U013	U014	U015	U016	U017	U018	U019	U020	U021
------	------	------	------	------	------	------	------	------	------	------	------	------	------	------	------	------	------	------	------	------

U012_S001
TRANSFER/SEPARATION UNIT:SECOND:ASS'Y

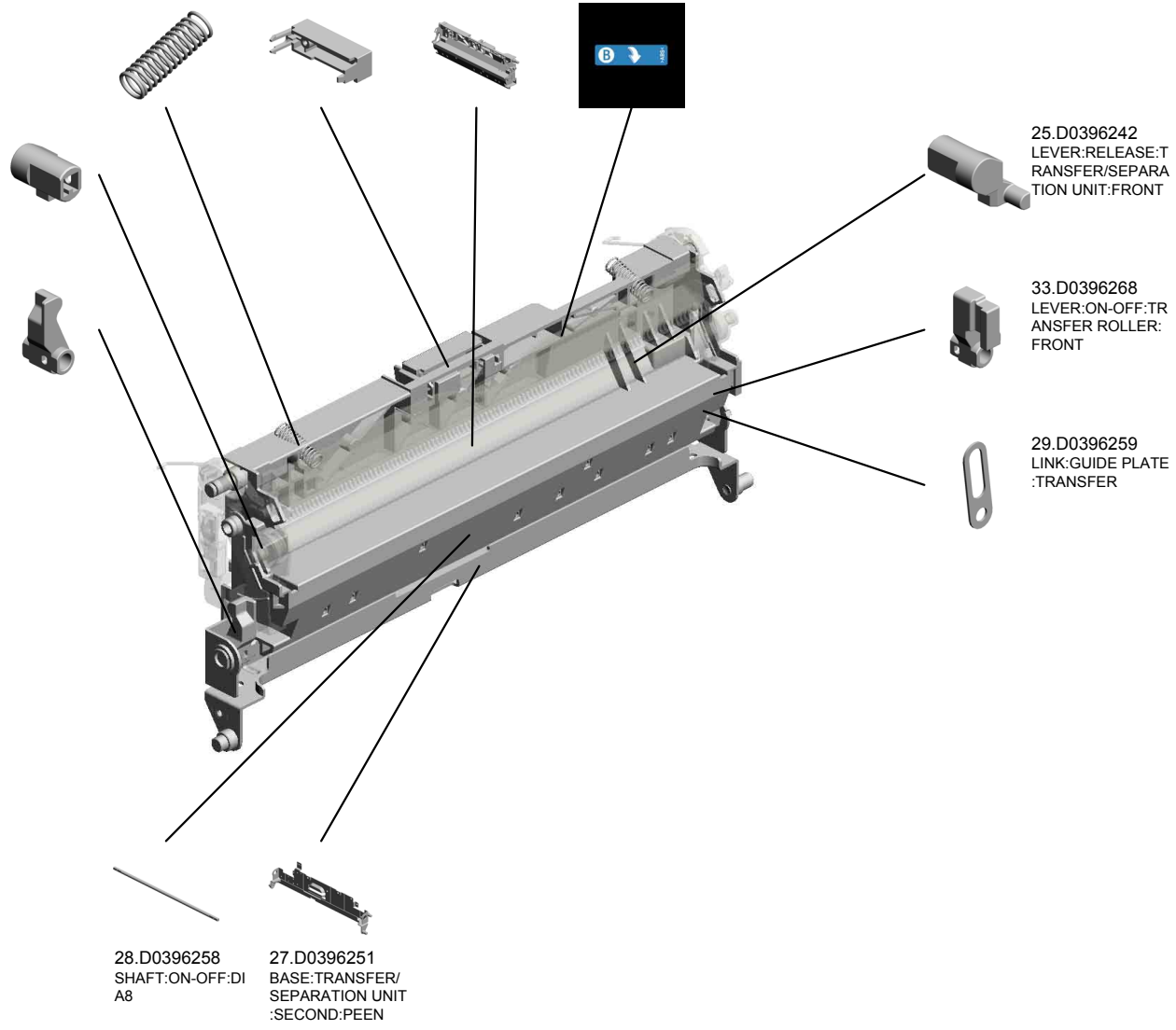


8.D0396204
TRANSFER/SEPARATION UNIT:SECOND:ASSY

- 32.D0396262 (x2) COMPRESSION SPRING:TRANSPORT SUB-UNIT
- 30.D0396260 BRACKET:ENTRANCE SENSOR
- 24.D0396241 GUIDE PLATE:TRANSFER UNIT
- 35.D0396271 DECAL:GRIP:BACK

26.D0396243 LEVER:RELEASE:TRANSFER/SEPARATION UNIT:REAR

34.D0396269 LEVER:ON-OFF:TRANSFER ROLLER:REAR



28.D0396258 SHAFT:ON-OFF:DI A8

27.D0396251 BASE:TRANSFER/SEPARATION UNIT:SECOND:PEEN

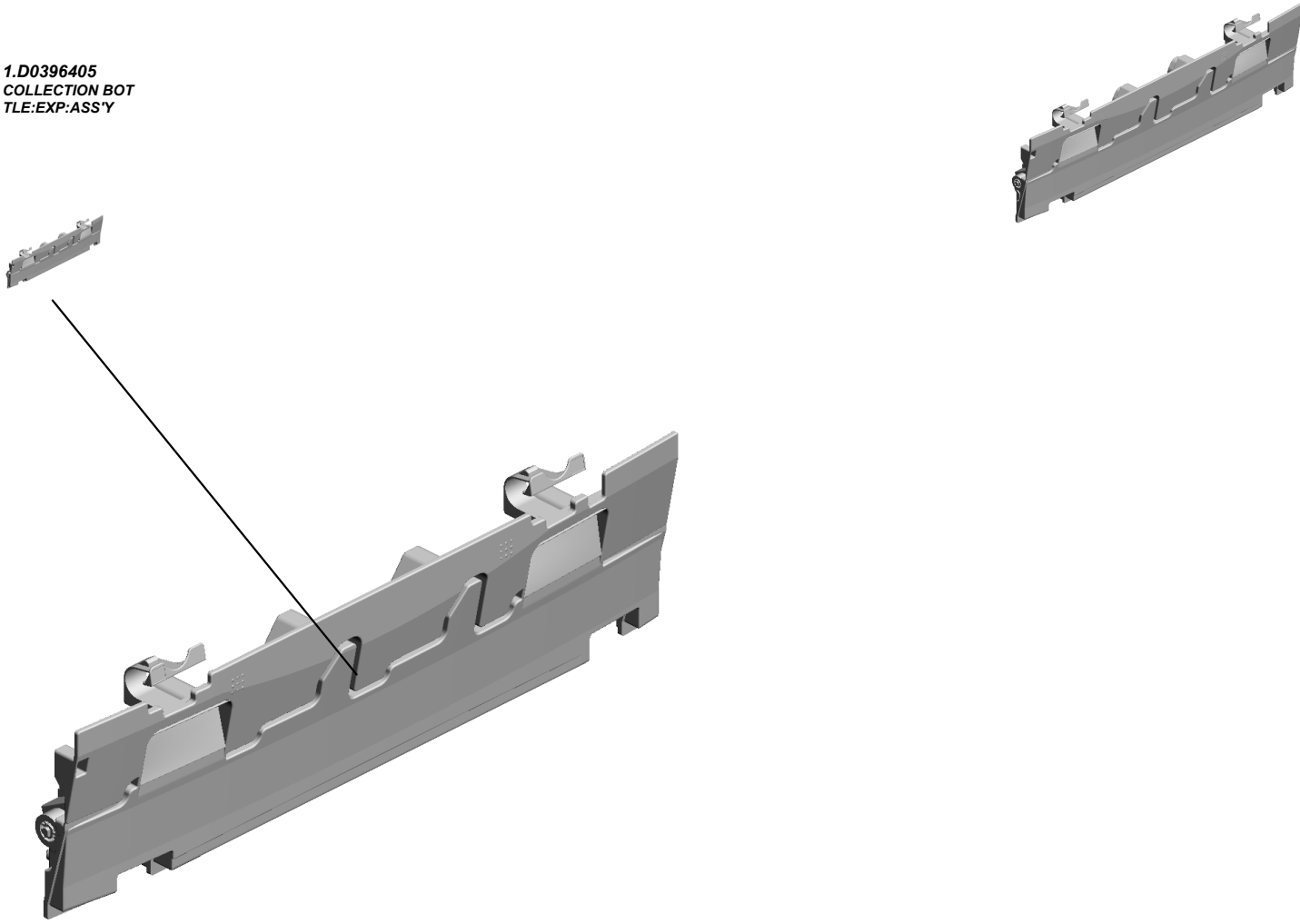
25.D0396242 LEVER:RELEASE:TRANSFER/SEPARATION UNIT:FRONT

33.D0396268 LEVER:ON-OFF:TRANSFER ROLLER:FRONT

29.D0396259 LINK:GUIDE PLATE:TRANSFER

U013
Used Toner

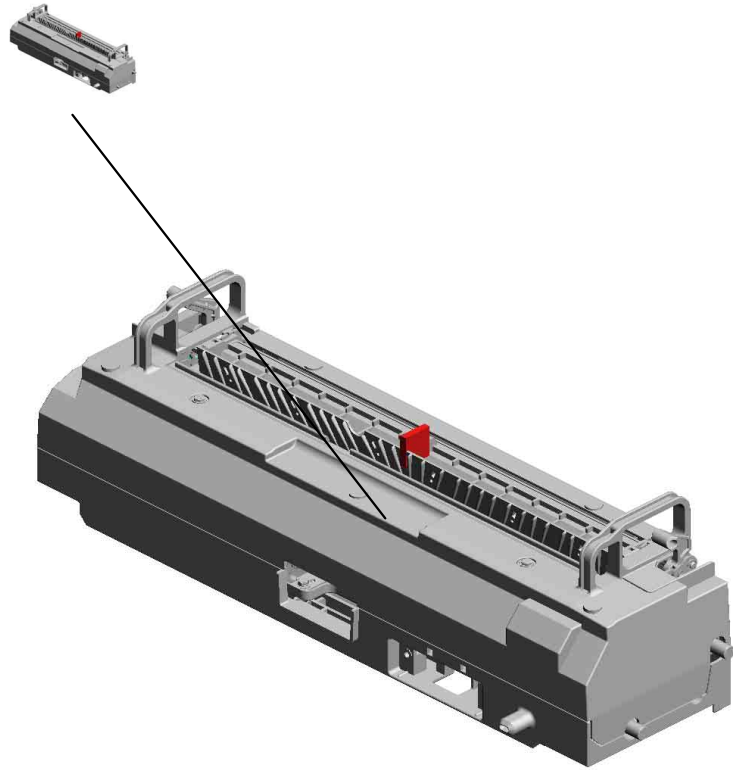
1.D0396405
COLLECTION BOT
TLE:EXP:ASS'Y



U001	U002	U003	U004	U005	U006	U007	U008	U009	U010	U011	U012	U013	U014	U015	U016	U017	U018	U019	U020	U021
------	------	------	------	------	------	------	------	------	------	------	------	------	------	------	------	------	------	------	------	------

U014.Fusing

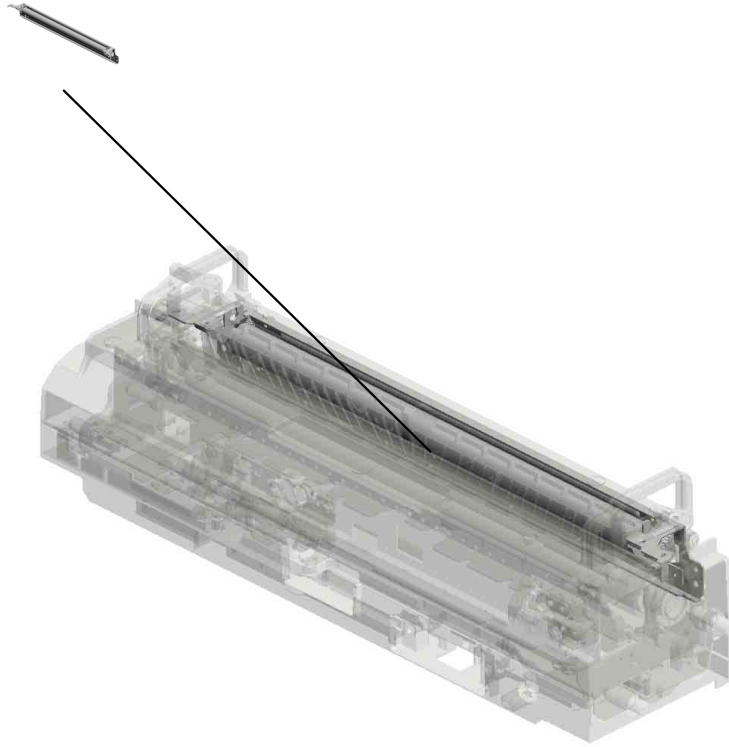
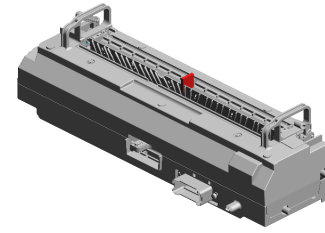
U014 S001
D1064002
FUSING UNIT:EU:ASS'Y



U001	U002	U003	U004	U005	U006	U007	U008	U009	U010	U011	U012	U013	U014	U015	U016	U017	U018	U019	U020	U021
------	------	------	------	------	------	------	------	------	------	------	------	------	------	------	------	------	------	------	------	------

U014 Fusing

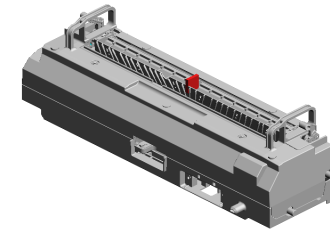
29.D1054380
STAY:PRESSURE:
OIL SUPPLY ROLL
ER:ASS'Y:(Option)



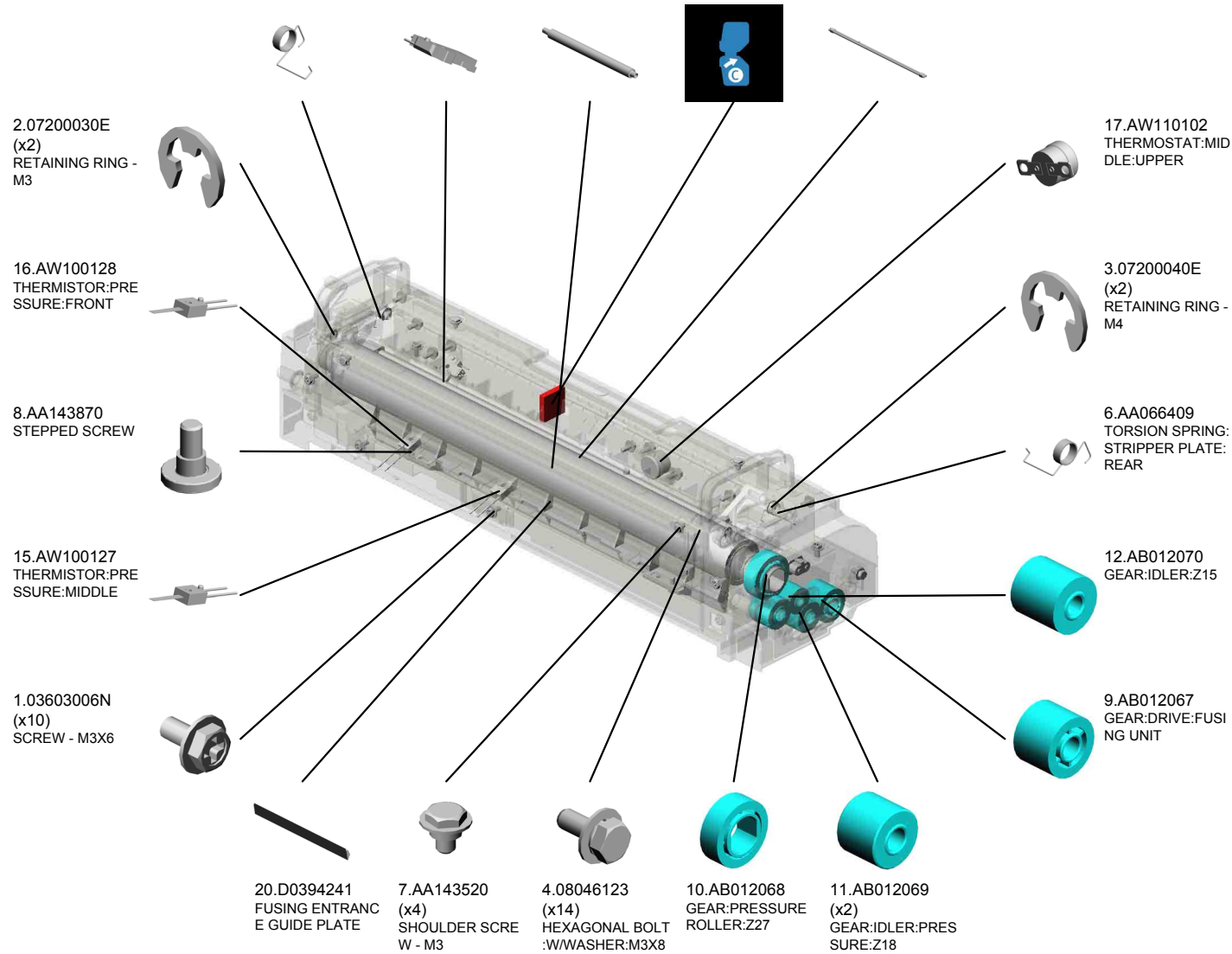
U001	U002	U003	U004	U005	U006	U007	U008	U009	U010	U011	U012	U013	U014	U015	U016	U017	U018	U019	U020	U021
------	------	------	------	------	------	------	------	------	------	------	------	------	------	------	------	------	------	------	------	------

U014_S001
FUSING UNIT:EU:ASS'Y

5.AA066408 TORSION SPRING: STRIPPER PLATE: FRONT
 14.AW100123 THERMISTOR:FUSI NG:FRONT
 13.AE020192 PRESSURE ROLLE R:DIA30
 19.D0394238 DECAL:FUSING:LE VER:C
 18.AX440332 HEATER:223V:700 W/480W

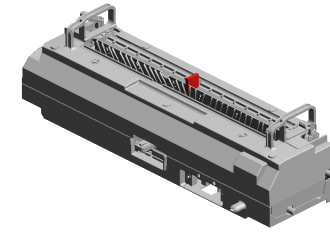


30.D1064002
FUSING UNIT:EU:A SS'Y



U014_S001
FUSING UNIT:EU:ASS'Y

32.D1124264 DECAL:WARNING (HIGH TEMPERATURE):FUSING
 28.D1054234 GUIDE PLATE:FUSING EXIT:ASS'Y
 27.D1054232 STRIPPER PLATE:COAT

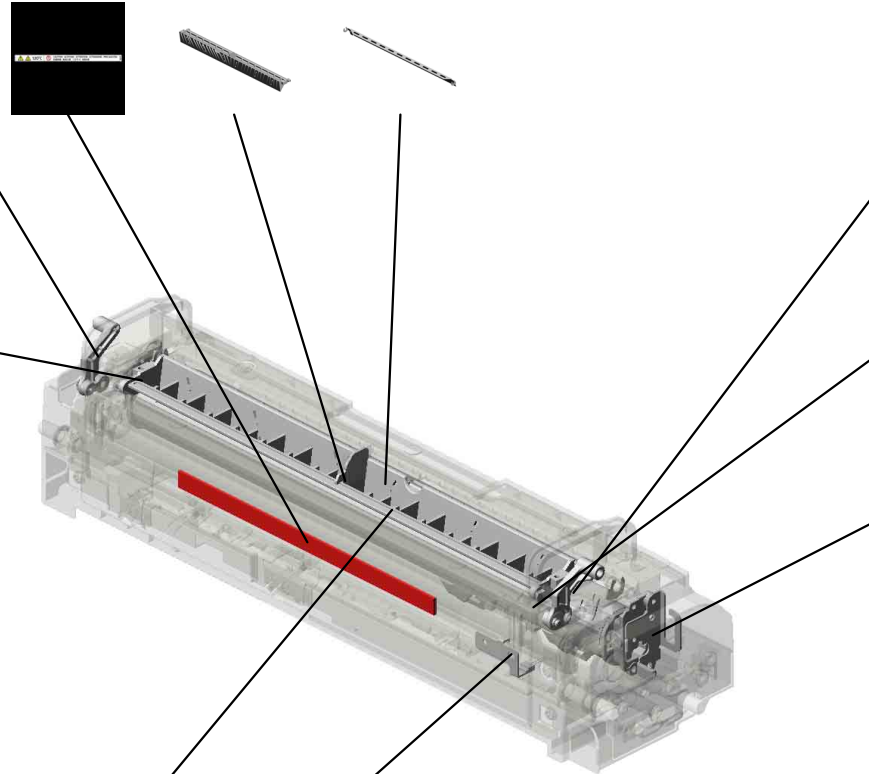


30.D1064002
FUSING UNIT:EU:ASS'Y

23.D1054151
LEVER:PRESSURE
RELEASE:FRONT:
ASS'Y



21.D1054087
BRACKET:HEATER:
FRONT



24.D1054161
LEVER:PRESSURE
RELEASE:REAR:
ASS'Y



25.D1054179
THERMOSTAT-AS
S'Y



22.D1054088
BRACKET:HEATER:
REAR



31.D1064052
BELT UNIT:EU:ASS'
Y

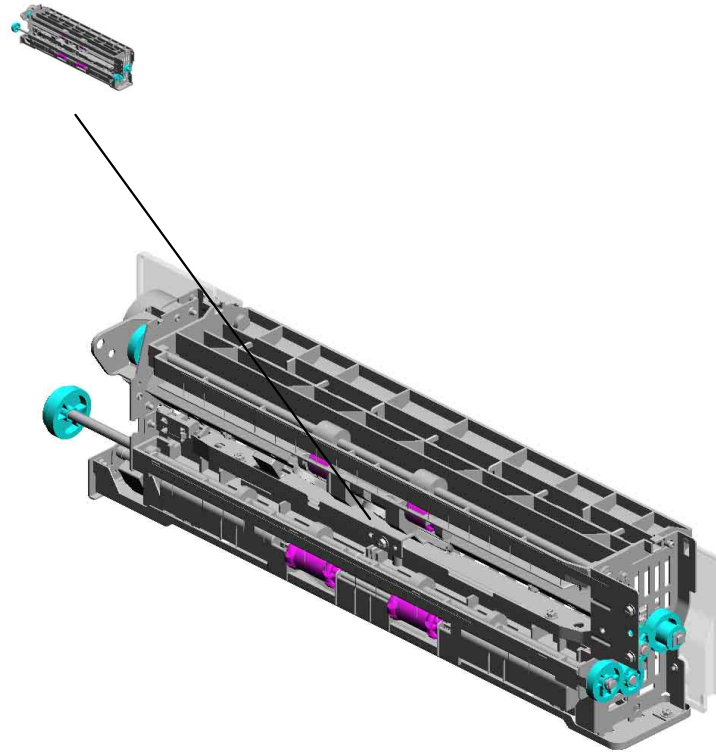


26.D1054191
DISCHARGE BRUSH:
PRESSURE ROLLER



U015.Paper Exit

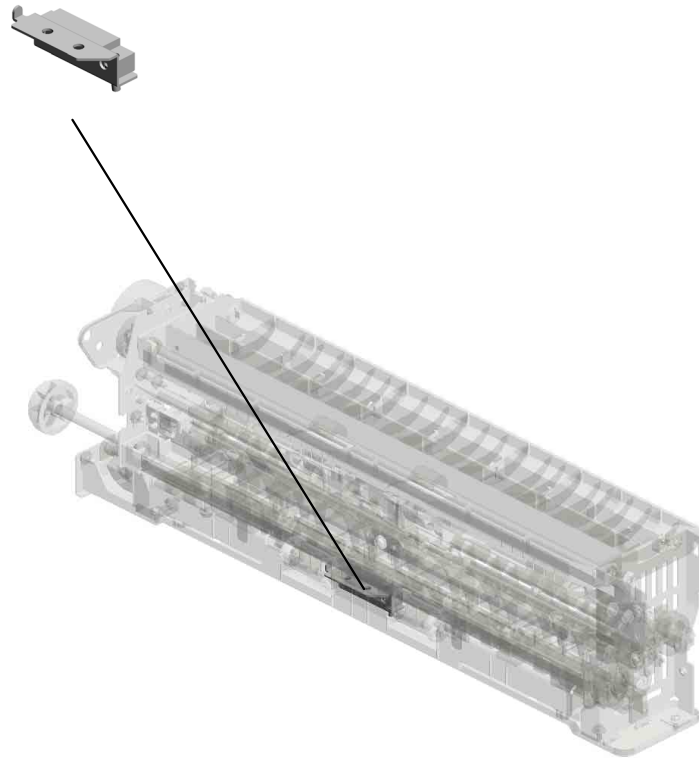
U015 S001
D1054401
PAPER EXIT UNIT:ASSY



U001	U002	U003	U004	U005	U006	U007	U008	U009	U010	U011	U012	U013	U014	U015	U016	U017	U018	U019	U020	U021
------	------	------	------	------	------	------	------	------	------	------	------	------	------	------	------	------	------	------	------	------

U015_S001.PAPER EXIT UNIT:ASS'Y

U015 S001 S001
D0394955
PHOTO SENCER ASS'Y

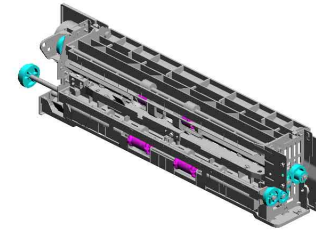


U001	U002	U003	U004	U005	U006	U007	U008	U009	U010	U011	U012	U013	U014	U015	U016	U017	U018	U019	U020	U021
------	------	------	------	------	------	------	------	------	------	------	------	------	------	------	------	------	------	------	------	------

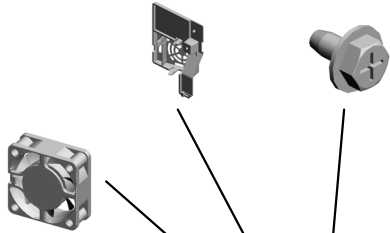
U015 Paper Exit

33.D0394907
INNER COVER:PA
PER EXIT UNIT:RE
AR

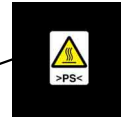
3.04513006N
(x2)
TAPPING SCREW -
3X6



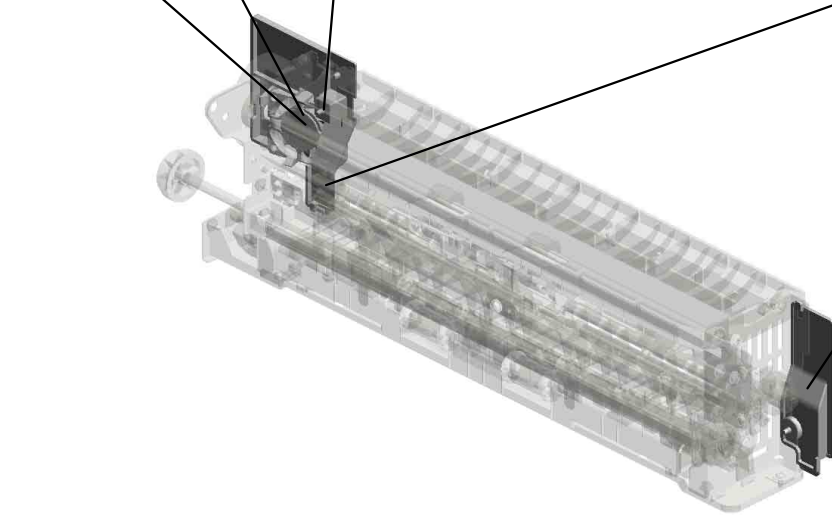
15.AX640202
FAN:MM40X15:NID
EC:H



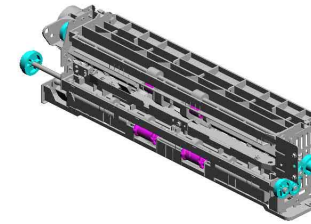
10.AA000252
DECAL:H-TEMP W
ARNING



32.D0394906
INNER COVER:PA
PER EXIT UNIT:FR
ONT



U015_S001 PAPER EXIT UNIT:ASS'Y



47.D1054401
PAPER EXIT UNIT:
ASS'Y

- 4.04533006N (x2) TAPPING SCREW - M3X6
- 8.08050089 (x2) RETAINING RING - M4
- 9.08050092 RETAINING RING - 3M
- 20.D0394415 FEELER:PHOTOIN TERRUPTOR:EXIT
- 21.D0394419 SHEET:EXIT:UNIF ORM

5.04543006Q (x3) TAPPING SCREW - M3X6

14.AW020198 PHOTOINTERRUP TOR:LG2A14NL1

1.03530030N (x2) SCREW:M3X3

11.AA082075 (x6) BUSHING - M6

6.04563008N (x10) TAPPING SCREW - M3X8

16.B2274673 (x2) EXIT ROLLER

23.D0394424 SHAFT:EXIT ROLL ER:DRIVEN

19.D0394411 GUIDE PLATE:EXIT :UPPER

22.D0394421 GUIDE PLATE:EXIT :LOWER

24.D0394425 (x2) COMPRESSION SP RING:EXIT ROLLE R:DRIVEN

18.D0094485 (x2) BUSHING - GATE

12.AF040571 (x10) GUIDE ROLLER

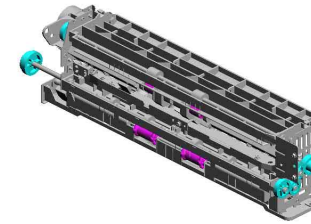
7.07200040E (x4) RETAINING RING - M4

3.04513006N (x18) TAPPING SCREW - 3X6

17.D0094455 CUSHION - DC SO LENOID

U001	U002	U003	U004	U005	U006	U007	U008	U009	U010	U011	U012	U013	U014	U015	U016	U017	U018	U019	U020	U021
------	------	------	------	------	------	------	------	------	------	------	------	------	------	------	------	------	------	------	------	------

U015_S001 PAPER EXIT UNIT:ASS'Y



47.D1054401
PAPER EXIT UNIT:
ASS'Y

49.D1054457
STEPPER MOTOR:
REVERSE:ASS'Y

27.D0394468
GEAR:IDLER:REVE
RSE

37.D0394925
(x2)
ROLLER:REVERSE
:DRIVEN

39.D0394927
(x2)
COMPRESSION SP
RING:PRESSURE:
REVERSE:DRIVEN

34.D0394911
GUIDE PLATE:REV
ERSE:UPPER

40.D0394948
GEAR:REVERSE R
OLLER

25.D0394435
GEAR:EXIT

30.D0394484
TENSION SPRING:
DC SOLENOID:PAP
ER EXIT UNIT

43.D0394972
LEVER:GATE PAW
L:REAR

31.D0394488
DC SOLENOID:PAP
ER EXIT UNIT:SUB-
ASS'Y

48.D1054431
EXIT ROLLER

38.D0394926
SHAFT:REVERSE:
DRIVEN

35.D0394912
(x2)
DISCHARGE BRUS
H:REVERSE

36.D0394921
GUIDE PLATE:REV
ERSE:LOWER

46.D0394975
GATE PAWL:EXIT:
ASS'Y

28.D0394471
GEAR:IDLER:INPU
T:ROLLER CLUTC
H

45.D0394974
TORSION SPRING:
LEVER:GATE PAW
L

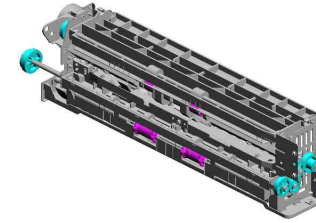
44.D0394973
LEVER:GATE PAW
L:FRONT

29.D0394472
GEAR:IDLER:ROLL
ER CLUTCH:CONN
ECTING

26.D0394436
GEAR:INPUT:ROLL
ER CLUTCH

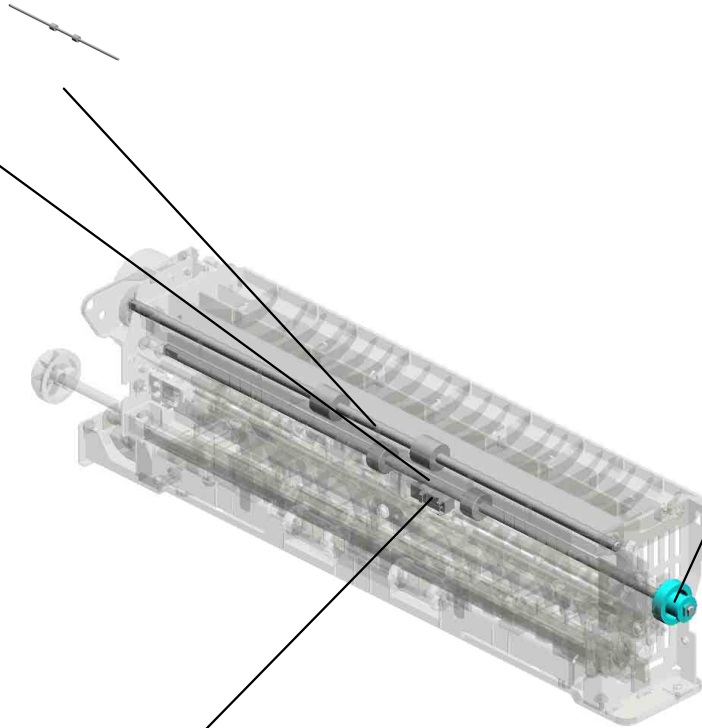
U015_S001
PAPER EXIT UNIT:ASS'Y

52.D1054947
REVERSE ROLLER



47.D1054401
PAPER EXIT UNIT:
ASS'Y

50.D1054942
TRANSPORT ROLL
ER:REVERSE:CON
NECTING



51.D1054943
ROLLER CLUTCH:
REVERSE:FRONT



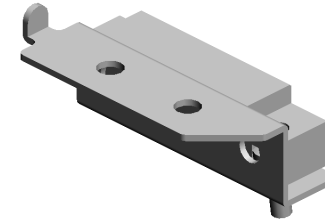
53.GW010007
PHOTO REFLECTI
ON SENSOR:EXIT

U001	U002	U003	U004	U005	U006	U007	U008	U009	U010	U011	U012	U013	U014	U015	U016	U017	U018	U019	U020	U021
------	------	------	------	------	------	------	------	------	------	------	------	------	------	------	------	------	------	------	------	------

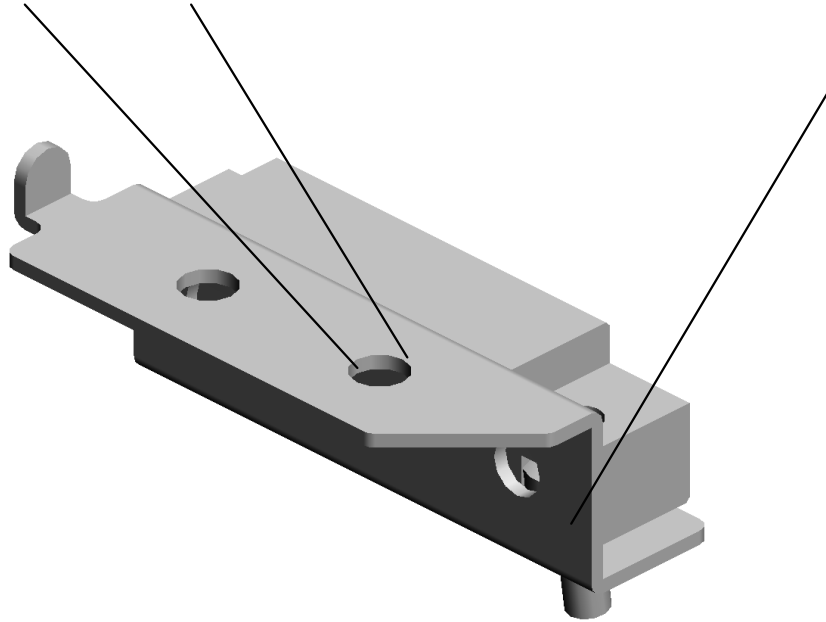
U015_S001_S001
PHOTO SENCER ASS'Y

41.D0394952
BRACKET:SENSO
R:FUSING EXIT

13.AW010143
PHOTO REFIECTIO
N SENSOR:PSR11
TL1R-C



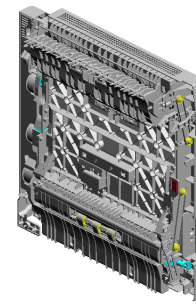
42.D0394955
PHOTO SENCER A
SS'Y



2.03530100N
SCREW-M3X10

U001	U002	U003	U004	U005	U006	U007	U008	U009	U010	U011	U012	U013	U014	U015	U016	U017	U018	U019	U020	U021
------	------	------	------	------	------	------	------	------	------	------	------	------	------	------	------	------	------	------	------	------

U016 Duplex



- 17.AX050302 STEPPER MOTOR: TRANSPORT
- 10.AA082075 (x2) BUSHING - M6
- 2.04513006N (x4) TAPPING SCREW - 3X6
- 11.AA082101 (x10) BUSHING - 6X10X6
- 14.AW020198 (x4) PHOTOINTERRUP TOR:LG2A14NL1

1.03530050N
(x2)
SCREW-M3X5

4.04563008N
(x13)
TAPPING SCREW - M3X8

5.08050089
(x7)
RETAINING RING - M4

7.11050534
CLAMP

8.11050692
CLAMP:LES-0503

19.B0434685
SPRING - 2.8N

12.AF031060
BY-PASS FEED ROLLER

13.AF033008
FRICTION PAD:10X50

18.B0392628
BOTTOM PLATE PAD

6.11050511
(x7)
HARNESS CLAMP - LWS-0306ZC

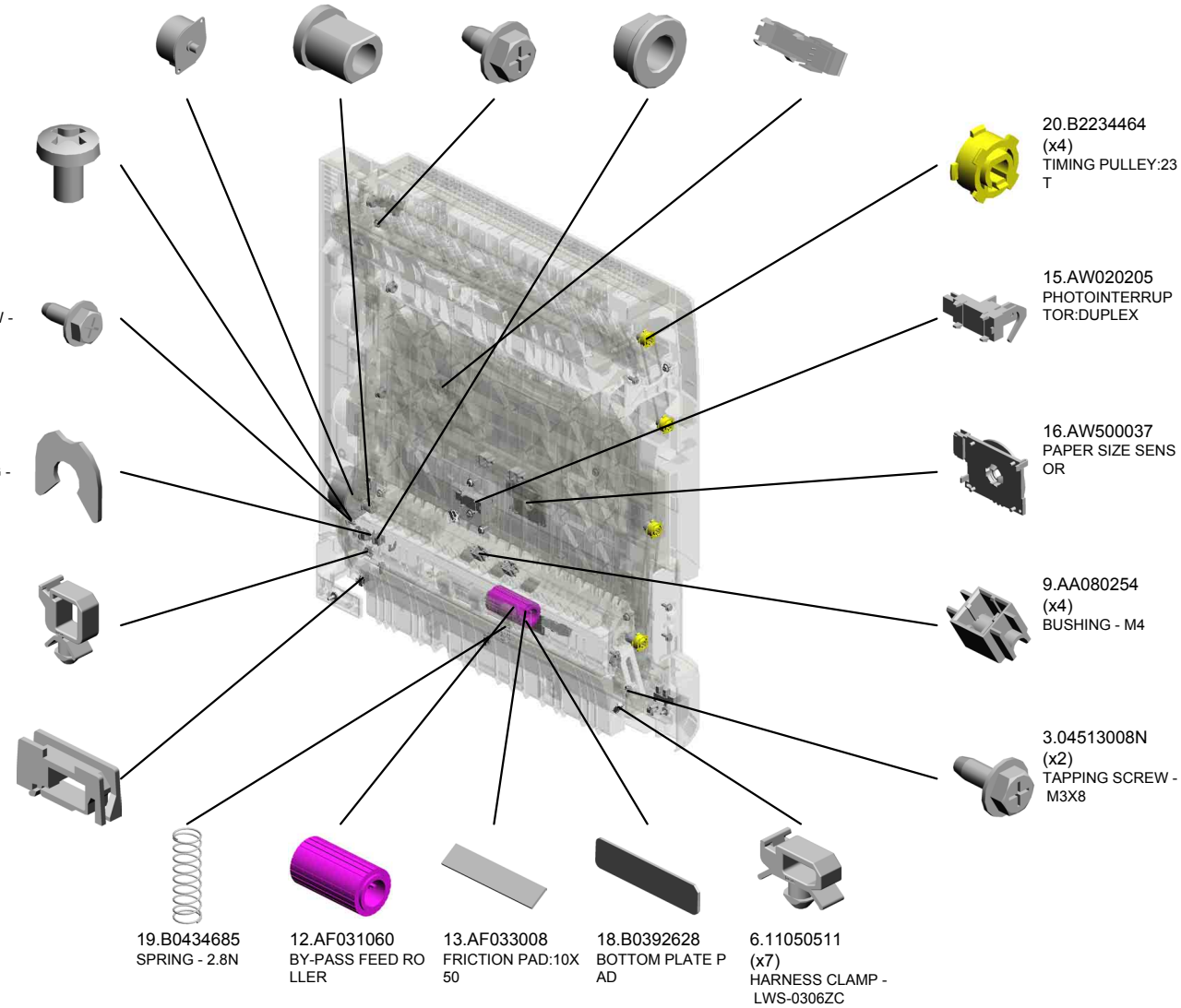
20.B2234464
(x4)
TIMING PULLEY:23 T

15.AW020205
PHOTOINTERRUP TOR:DUPLX

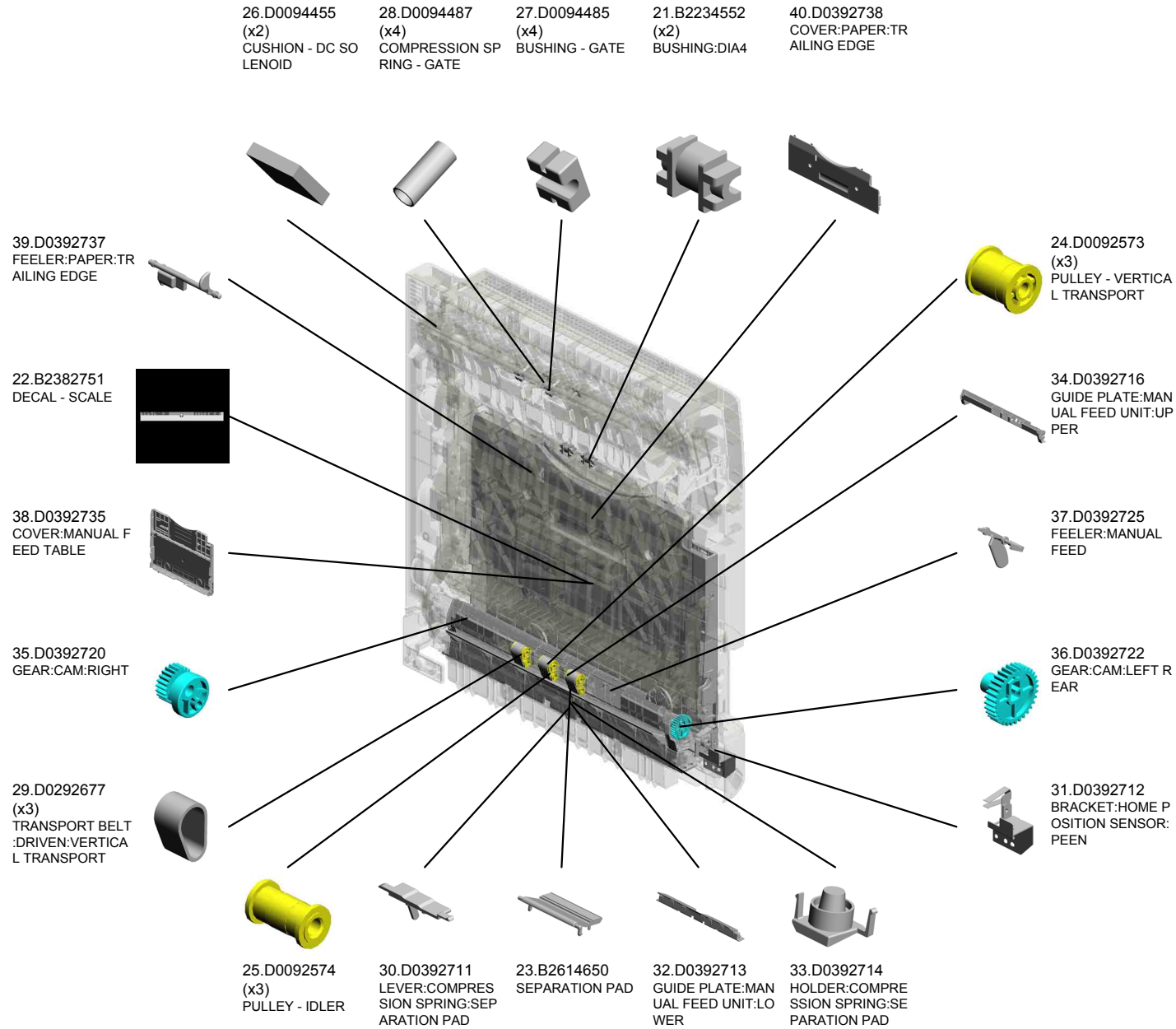
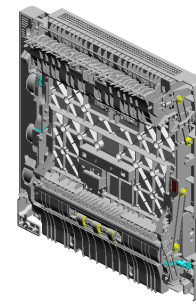
16.AW500037
PAPER SIZE SENSOR

9.AA080254
(x4)
BUSHING - M4

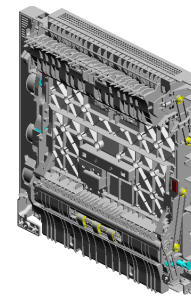
3.04513008N
(x2)
TAPPING SCREW - M3X8



U016 Duplex



U016 Duplex



- 45.D0392750 RACK:SIDE FENCE :FRONT
- 54.D0392788 PIN:SIDE FENCE
- 47.D0392752 DISC:SIDE FENCE
- 50.D0392779 SPRING PLATE:EX TENSION TRAY
- 41.D0392739 EXTENSION TRAY: MANUAL FEED

58.D0392794 LINK:MANUAL FEE D TABLE:REAR

52.D0392781 GEAR:STEPPER M OTOR

51.D0392780 (x2) GEAR:ROLLER CL UTCH

55.D0392789 GEAR:CAM:RIGHT REAR

53.D0392786 SHAFT:DRIVE:MAN UAL FEED UNIT

44.D0392749 SIDE FENCE:REAR

60.D0392796 SHAFT:CAM:ASS'Y

42.D0392745 BASE:MANUAL FE ED TABLE

57.D0392793 CAM:LEFT

56.D0392790 GEAR:FEELER:LEF T

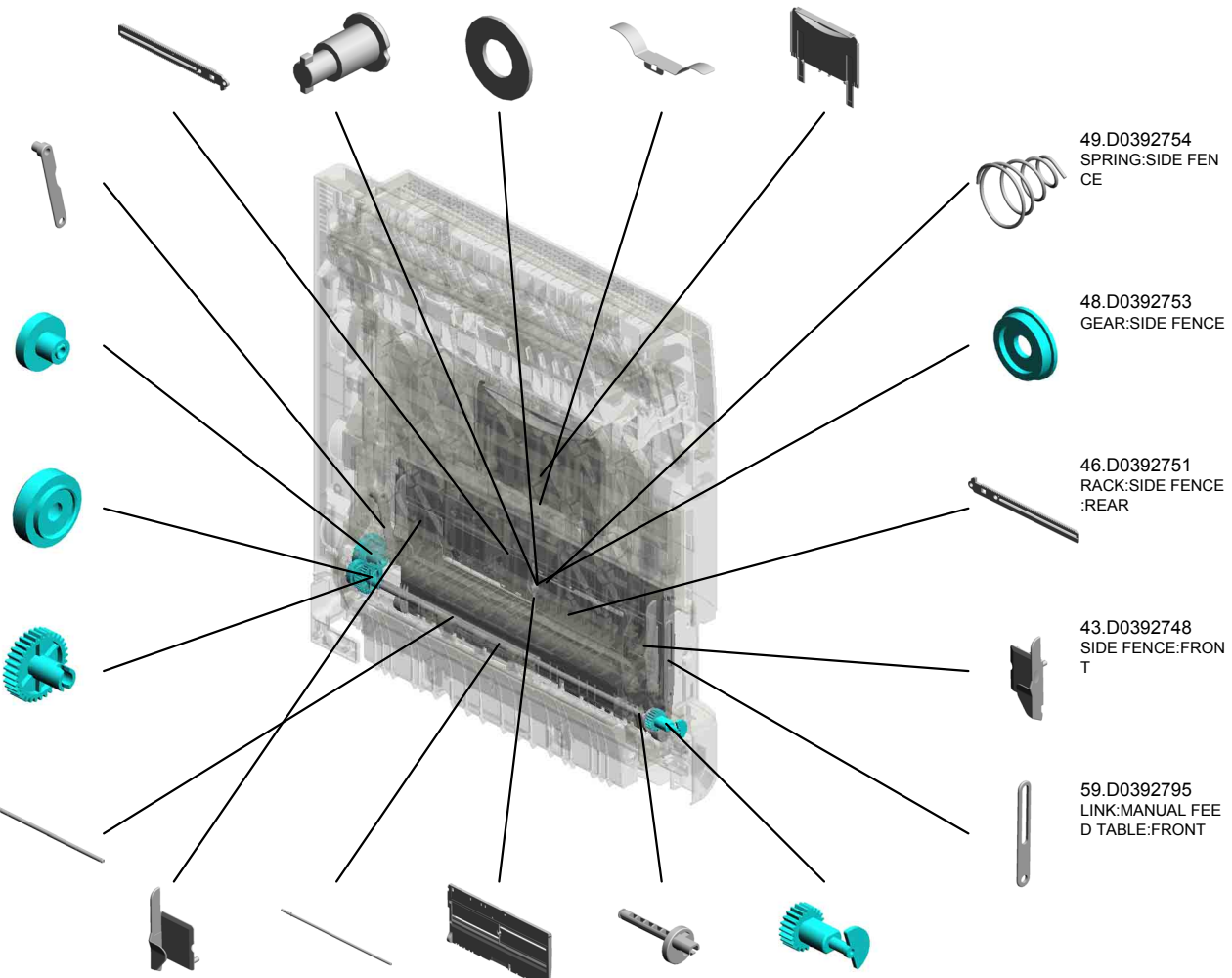
49.D0392754 SPRING:SIDE FEN CE

48.D0392753 GEAR:SIDE FENCE

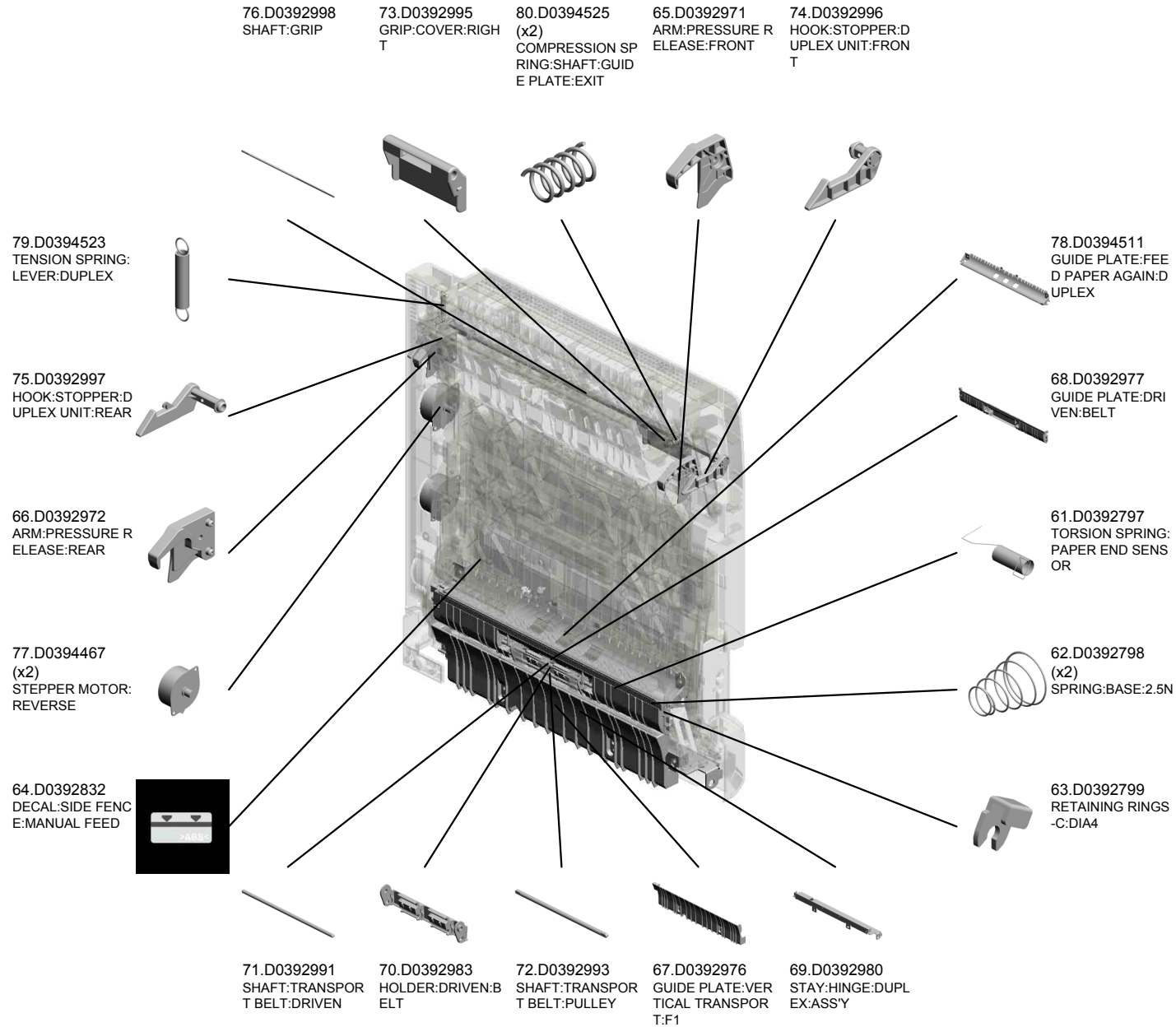
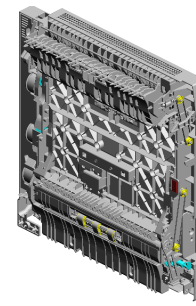
46.D0392751 RACK:SIDE FENCE :REAR

43.D0392748 SIDE FENCE:FRON T

59.D0392795 LINK:MANUAL FEE D TABLE:FRONT

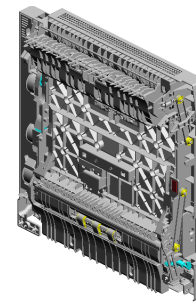


U016 Duplex



U001	U002	U003	U004	U005	U006	U007	U008	U009	U010	U011	U012	U013	U014	U015	U016	U017	U018	U019	U020	U021
------	------	------	------	------	------	------	------	------	------	------	------	------	------	------	------	------	------	------	------	------

U016 Duplex



- 100.D0394584 LEVER:GATE PAWL
- 96.D0394578 FEELER:DUPLEX:ENTRANCE SENSOR
- 99.D0394583 GATE PAWL:DUPLEX:ENTRANCE:ASSEMBLY
- 95.D0394570 GUIDE PLATE:DUPLEX:ENTRANCE
- 88.D0394542 DRIVEN ROLLER:ENTRANCE:DUPLEX

94.D0394569 (x2) GEAR:DRIVE:DUPLEX



92.D0394564 (x2) GEAR:IDLER:DUPLEX



83.D0394535 INNER COVER:DUPLEX UNIT



93.D0394565 LINK:DUPLEX:ASS'Y



91.D0394553 COVER:CONNECTOR:DUPLEX UNIT



90.D0394544 COVER:SENSOR:DUPLEX:LOWER



81.D0394527 (x4) COMPRESSION SPRING:EXIT ROLLER:DRIVEN



84.D0394538 (x2) COMPRESSION SPRING:FLAT CONVEYER BELT:DRIVEN



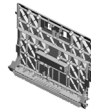
85.D0394539 GUIDE PLATE:GUIDE PLATE:ROLLER:DRIVEN



86.D0394540 LINK:DUPLEX UNIT:FRONT



87.D0394541 GUIDE PLATE:ROLLER:DRIVEN



97.D0394580 COVER:RIGHT



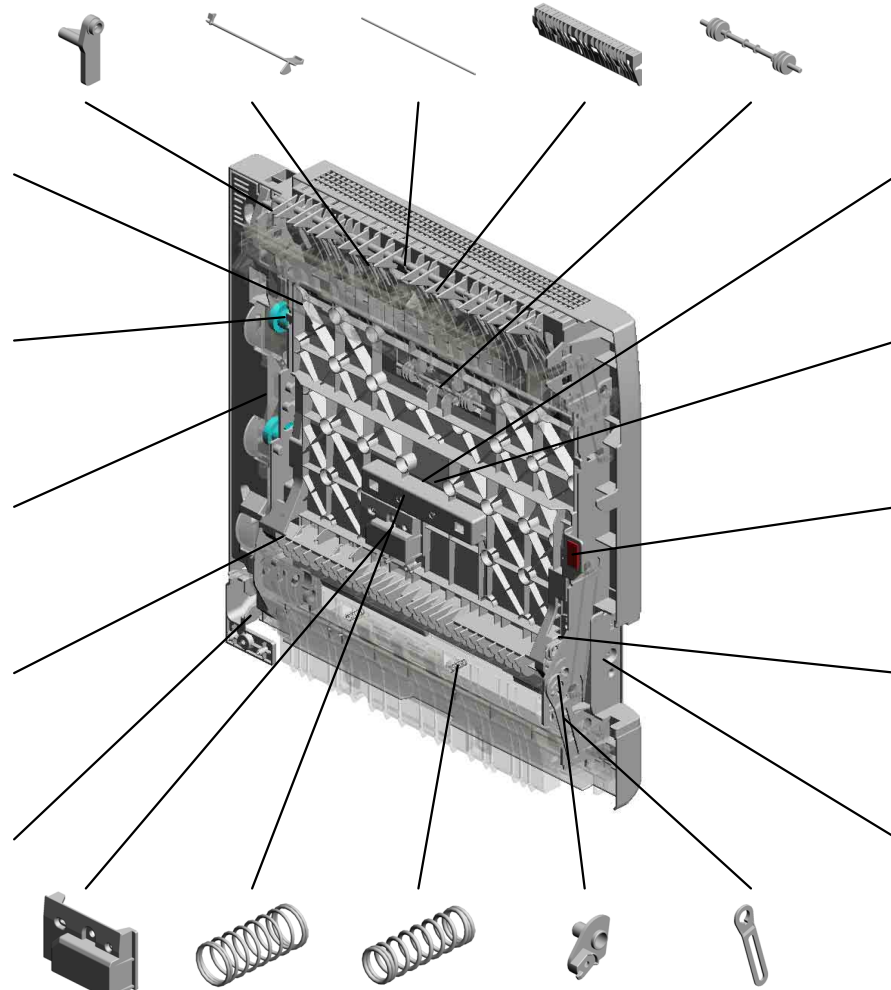
89.D0394543 DECAL:GRIP:Z



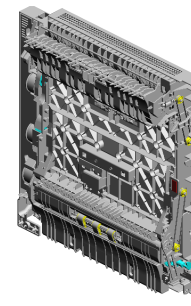
82.D0394529 STOPPER:GUIDE PLATE:ROLLER:DRIVEN



98.D0394581 INNER COVER:GRIP:DUPLEX UNIT



U016 Duplex

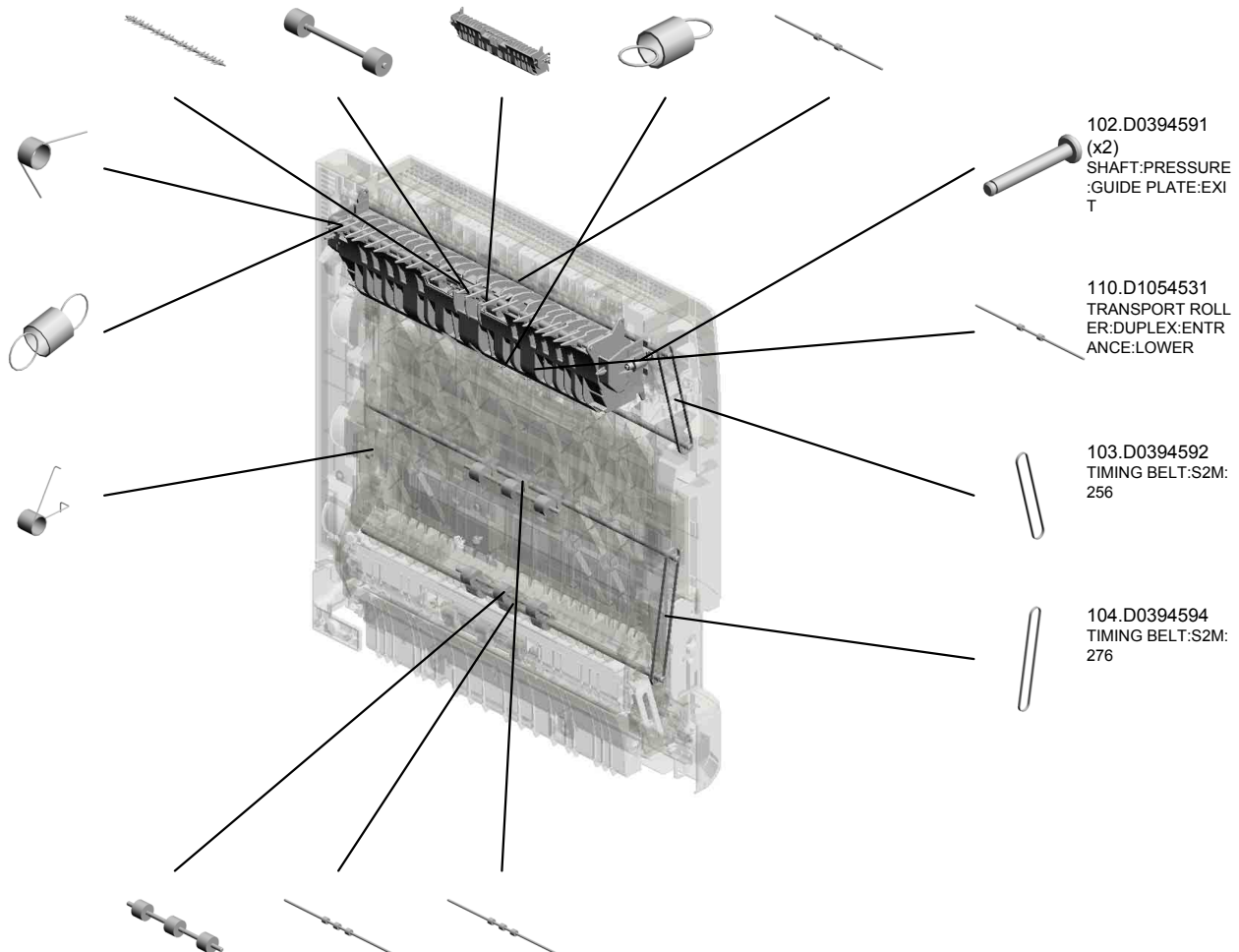


- 114.D1054588 GATE PAWL:REVERSE ASS'Y
- 108.D1054489 (x2) DRIVEN ROLLER:DRIVER:EXIT:DUPL
- 107.D0394985 GUIDE PLATE:EXIT:DUPLX:ADHESION
- 106.D0394597 (x2) TENSION SPRING:DRIVEN ROLLER
- 109.D1054530 TRANSPORT ROLLER:DUPLX:ENTRANCE

115.D1054589
TORSION SPRING:
GATE PAWL:REVERSE

101.D0394587
SPRING:GATE PAWL:ENTRANCE:DUPLX

105.D0394596
TORSION SPRING:
LINK:DUPLX



102.D0394591
(x2)
SHAFT:PRESSURE:GUIDE PLATE:EXIT

110.D1054531
TRANSPORT ROLLER:DUPLX:ENTRANCE:LOWER

103.D0394592
TIMING BELT:S2M:256

104.D0394594
TIMING BELT:S2M:276

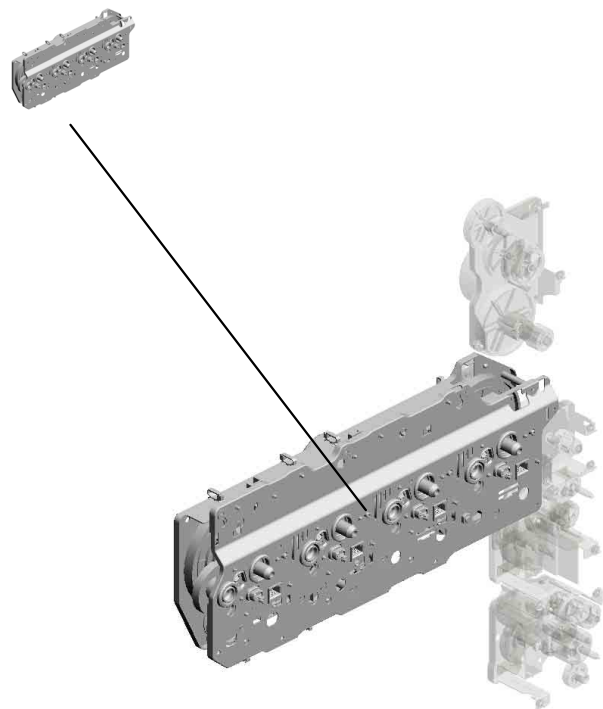
113.D1054537
(x2)
DRIVEN ROLLER:DRIVER:EXIT:DUPLX

112.D1054533
TRANSPORT ROLLER:DUPLX:EXIT

111.D1054532
TRANSPORT ROLLER:DUPLX:EXIT:UPPER

U017.Main Drive

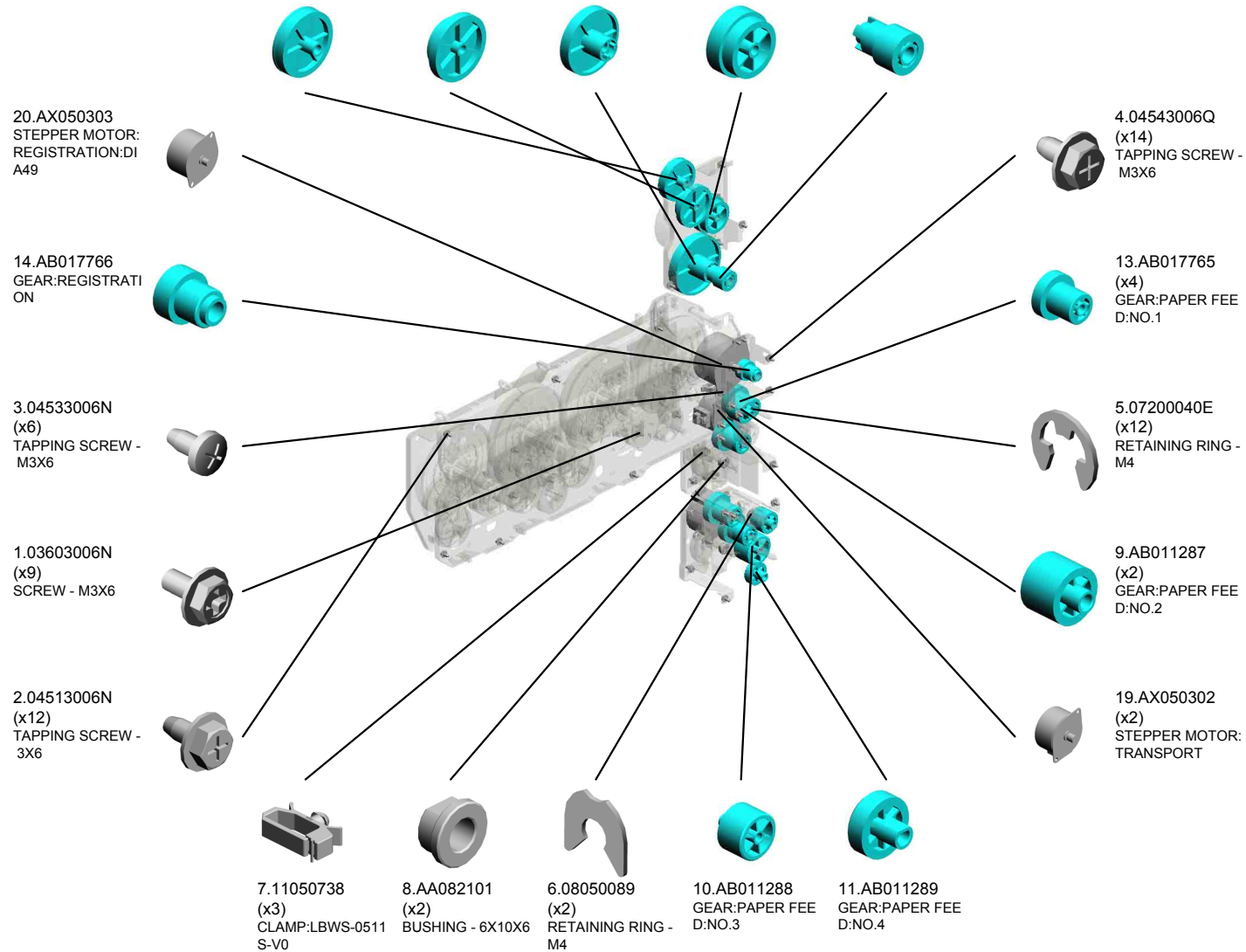
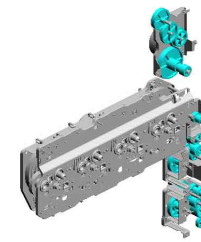
U017 S001
D0391188
DRIVE UNIT:DRUM:DEVELO
PMENT:ASSY



U001	U002	U003	U004	U005	U006	U007	U008	U009	U010	U011	U012	U013	U014	U015	U016	U017	U018	U019	U020	U021
------	------	------	------	------	------	------	------	------	------	------	------	------	------	------	------	------	------	------	------	------

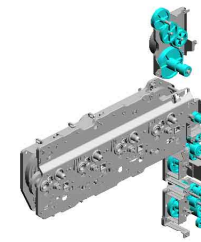
U017 Main Drive

12.AB016000 GEAR:EXIT:NO.3
 16.AB017770 GEAR:EXIT:NO.2
 17.AB017823 GEAR:FUSING:NO.1
 15.AB017769 GEAR:EXIT:NO.1
 18.AB017824 GEAR:FUSING:NO.2



U017 Main Drive

- 21.AX060000 BRUSHLESS MOT OR:DRUM
- 25.B2231144 (x2) HOLDER:POSITIO NING SENSOR
- 36.GW020020 (x2) PHOTOINTERRUP TOR:LG248NL1
- 22.AX060356 BRUSHLESS MOT OR:DC24V 18W
- 35.D1051179 BRACKET:FUSING: EXIT:ASS'Y



24.AX200317
MAGNETIC CLUTC
H:DEVELOPMENT



28.D0391163
DRUM STAY:PAPE
R FEED:NO.1



33.D1051164
(x2)
ROLLER CLUTCH:
FEED



23.AX060376
BRUSHLESS MOT
OR:DEVELOPME
NT:COLOR



30.D0391171
DRUM STAY:PAPE
R FEED:NO.2



31.D0391172
BRACKET:PAPER
FEED:NO.2:ASS'Y



34.D1051166
(x4)
ROLLER CLUTCH:
GRIP



26.D0391158
BRACKET:PAPER
FEED:NO.1:ASS'Y



27.D0391162
(x2)
SHAFT:FEED:ASS'
Y

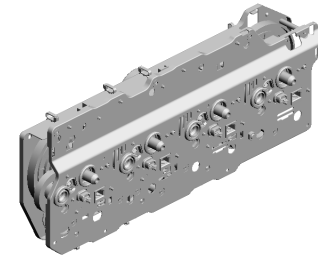


29.D0391168
GUIDE:HARNESS:
PAPER FEED:NO.1



U017_S001
DRIVE UNIT:DRUM:DEVELOPMENT:ASS'Y

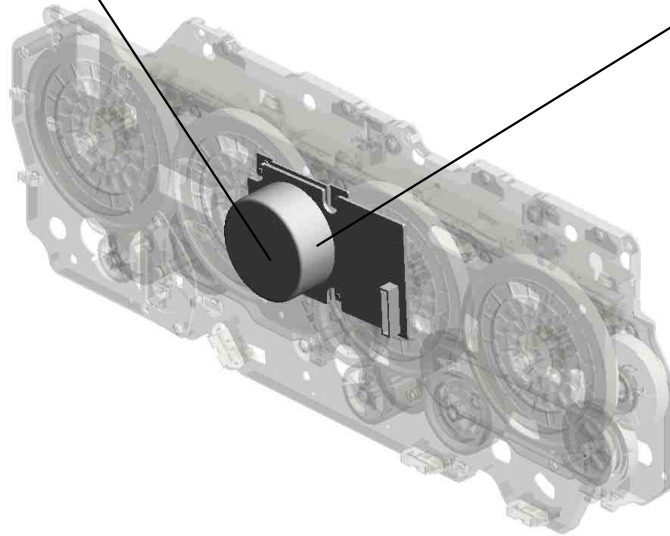
1.03603006N
(x3)
SCREW - M3X6



32.D0391188
DRIVE UNIT:DRUM
:DEVELOPMENT:A
SS'Y



21.AX060000
BRUSHLESS MOT
OR:DRUM

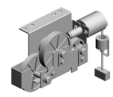


U001	U002	U003	U004	U005	U006	U007	U008	U009	U010	U011	U012	U013	U014	U015	U016	U017	U018	U019	U020	U021
------	------	------	------	------	------	------	------	------	------	------	------	------	------	------	------	------	------	------	------	------

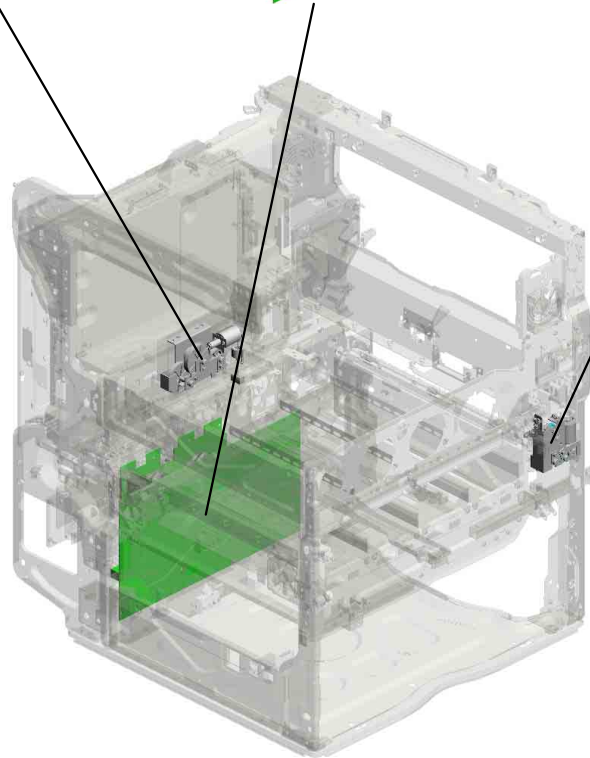
U018.Electrical

U018_S002
D0396048
DRIVE UNIT:ON-OFF:TRANS
FER ROLLER:ASS'Y

U018_S001
AZ240179
POWER SUPPLY UNIT:EU/A
A/CHN

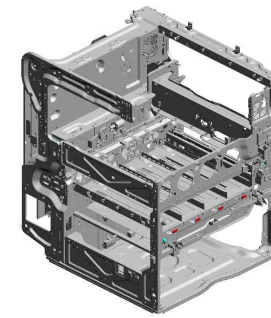


U018_S003
D0396340
DRIVE UNIT:ON-OFF:TRANS
FER ROLLER:SECOND:ASS'
Y



U001	U002	U003	U004	U005	U006	U007	U008	U009	U010	U011	U012	U013	U014	U015	U016	U017	U018	U019	U020	U021
------	------	------	------	------	------	------	------	------	------	------	------	------	------	------	------	------	------	------	------	------

U018 Electrical



- 4.04513008N (x2) TAPPING SCREW - M3X8
- 16.11050489 (x2) HARNESS CLAMP - LWS 1316
- 15.11050488 (x11) HARNESS CLAMP
- 8.04563008N (x4) TAPPING SCREW - M3X8
- 7.04543006Q TAPPING SCREW - M3X6

13.11028502
CONNECTOR - 546
79-1615

5.04513020N
(x2)
TAPPING SCREW:
3X20

2.03603006N
(x11)
SCREW - M3X6

14.11050487
(x4)
HARNESS CLAMP

20.11050534
(x4)
CLAMP

19.11050518
(x4)
EDGE SADDLE - L
ES-1010

18.11050516
(x2)
CLAMP

11.08050089
RETAINING RING -
M4

1.03530030N
(x2)
SCREW:M3X3

9.08025299
(x6)
TAPPING SCREW -
M3X8

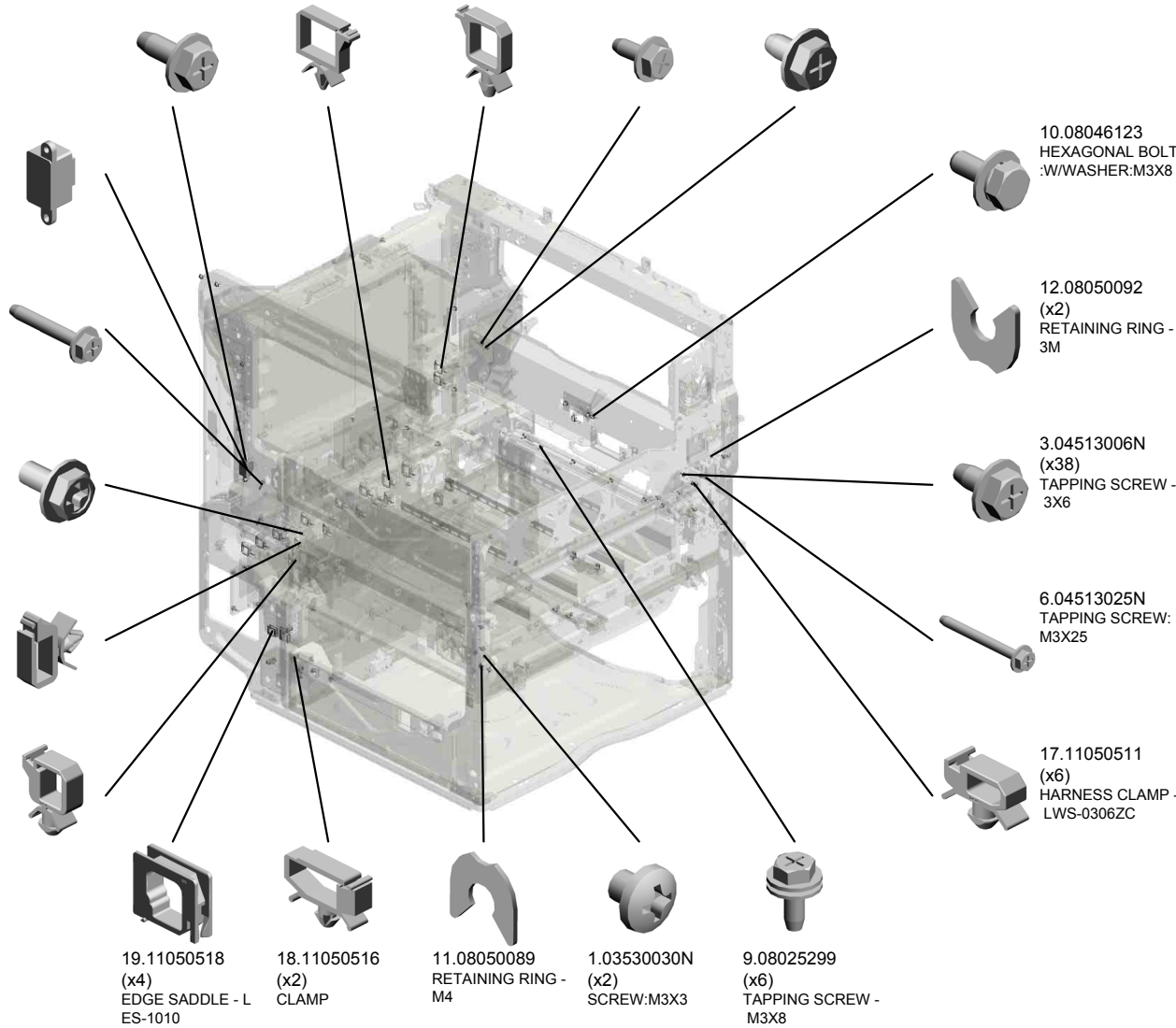
10.08046123
HEXAGONAL BOLT
:W/WASHER:M3X8

12.08050092
(x2)
RETAINING RING -
3M

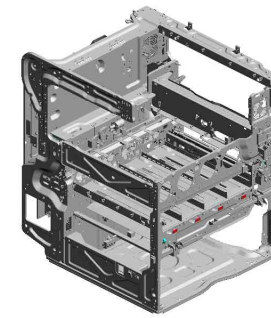
3.04513006N
(x38)
TAPPING SCREW -
3X6

6.04513025N
TAPPING SCREW:
M3X25

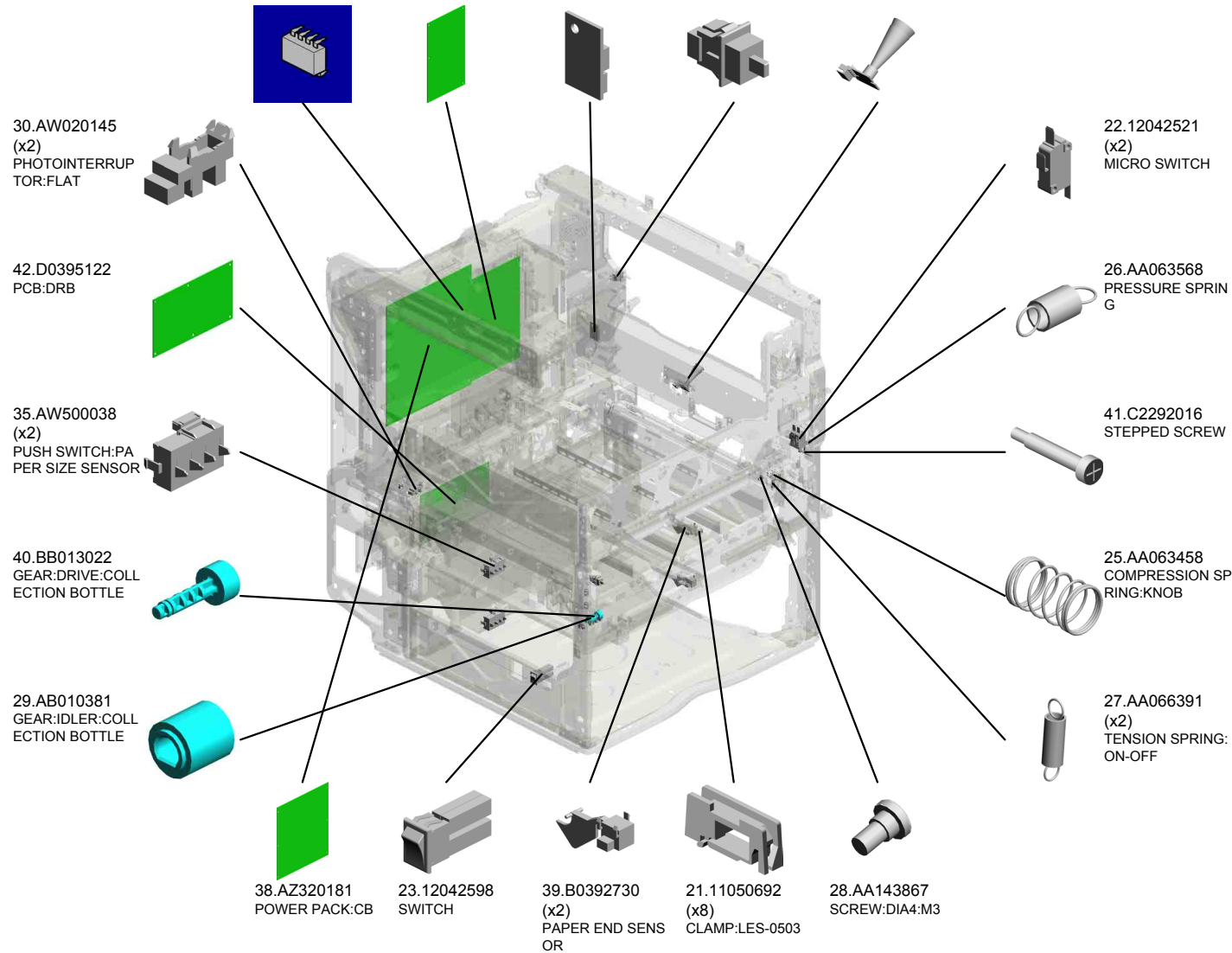
17.11050511
(x6)
HARNESS CLAMP -
LWS-0306ZC



U018 Electrical

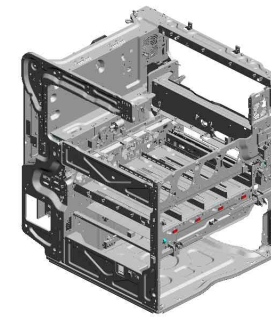


- 24.14077036 EEPROM:AT24C12 8B-PU
- 37.AZ320180 POWER PACK:TTS :AT-C2
- 33.AW140016 TEMPERATURE & HUMIDITY SENSOR
- 34.AW500023 (x2) PUSH SWITCH
- 32.AW100138 THERMOPILE



U018 Electrical

51.D0395858 CASE:HARNESS:F USING
 65.D0396330 GROUND PLATE:BI AS:BK
 63.D0396326 BUSHING:DENSITY SENSOR:REAR
 64.D0396327 (x6) SPACER:SENSOR: TM
 61.D0396324 GUIDE PLATE:TRANSFER:ENTRANCE



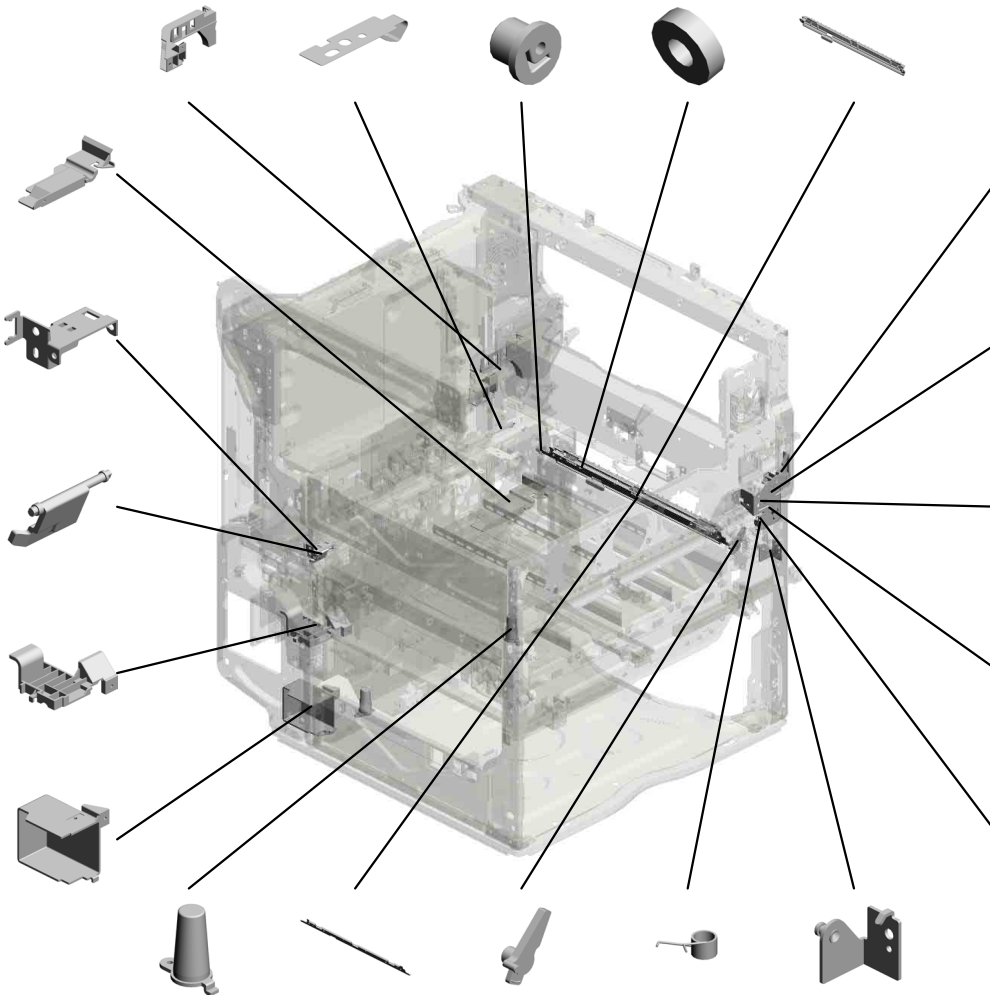
50.D0395857 COVER:HARNESS: REAR MIDDLE

57.D0396305 HOLDER:USED TO NER SENSOR:BEL T CLEANING

58.D0396306 FEELER:TONER C OLLECTION COIL

53.D0395862 COVER:TRAY:LEF T UPPER

49.D0395856 COVER:TRAY:LEF T LOWER



47.D0395845 LEVER:SAFETY S WITCH:RIGHT

44.D0395842 LEVER:SAFETY S WITCH:MIDDLE

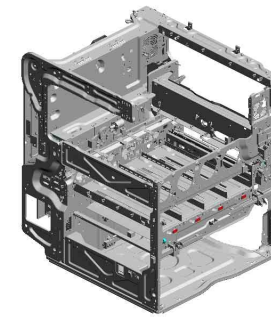
43.D0395836 BASE:SAFETY SWI TCH:PEEN

45.D0395843 LEVER:SAFETY S WITCH:MIDDLE:SM ALL

46.D0395844 LEVER:SAFETY S WITCH:FRONT

52.D0395859 (x3) COVER:BASE:POS I TIONING PIN
 60.D0396323 BRACKET:SENSO R:TM
 62.D0396325 BUSHING:DENSITY SENSOR:FRONT
 48.D0395846 SPRING:SAFETY S WITCH:FRONT
 56.D0396298 BRACKET:STOPPE R:TRANSFER UNIT :PEEN

U018 Electrical



- 86.D1055863 COVER:HARNESS: SCANNER:PEEN
- 82.D1055102 PCB:BCU:ASSY
- 87.D1055899 HOLDER:TEMPERATURE & HUMIDITY SENSOR
- 80.D1054362 BRACKET:THERMOPILE
- 81.D1054365 HOLDER:THERMOPILE

84.D1055720
PCBC1_5:IMAGE PROCESSING UNIT

90.GX640027
FAN MOTOR - DC2 4V 1.92W

83.D1055194
PCB:SDVDB:200V

91.N6074550
CHOKE COIL:RITL-0107

77.D0415897
COVER:SWITCH:HEATER

85.D1055855
COVER:HARNESS: MAIN SWITCH

78.D0415899
COVER:CONNECTOR:HEATER

75.D0396584
DC MOTOR:ASSY

74.D0396583
BRACKET:DRIVE:COLLECTION BOTTLE

76.D0396597
HINGE:COLLECTION BOTTLE

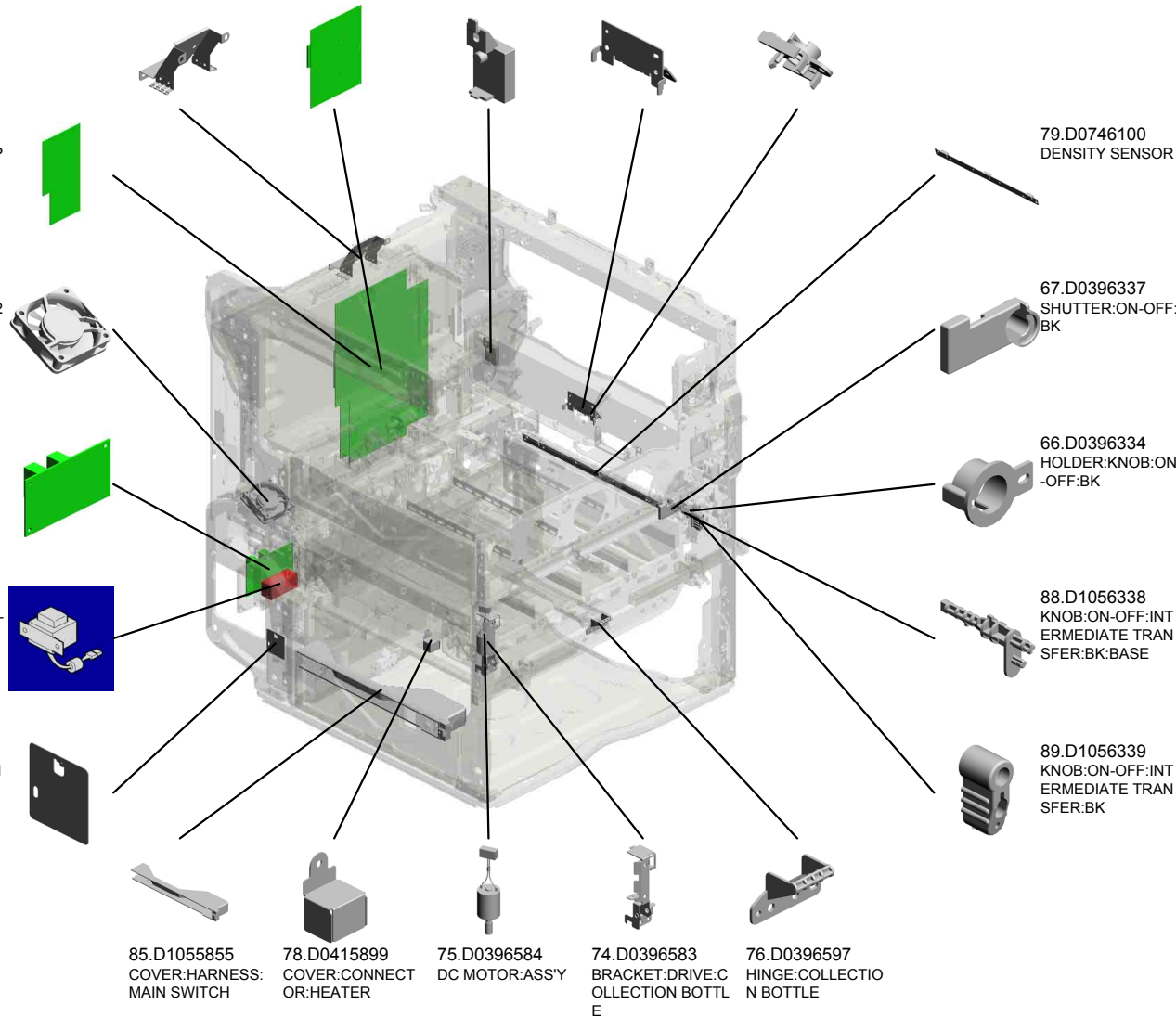
79.D0746100
DENSITY SENSOR

67.D0396337
SHUTTER:ON-OFF: BK

66.D0396334
HOLDER:KNOB:ON-OFF: BK

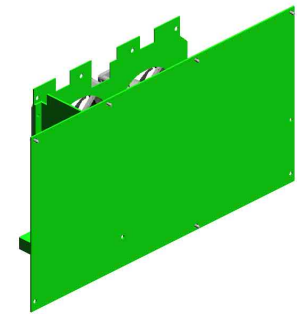
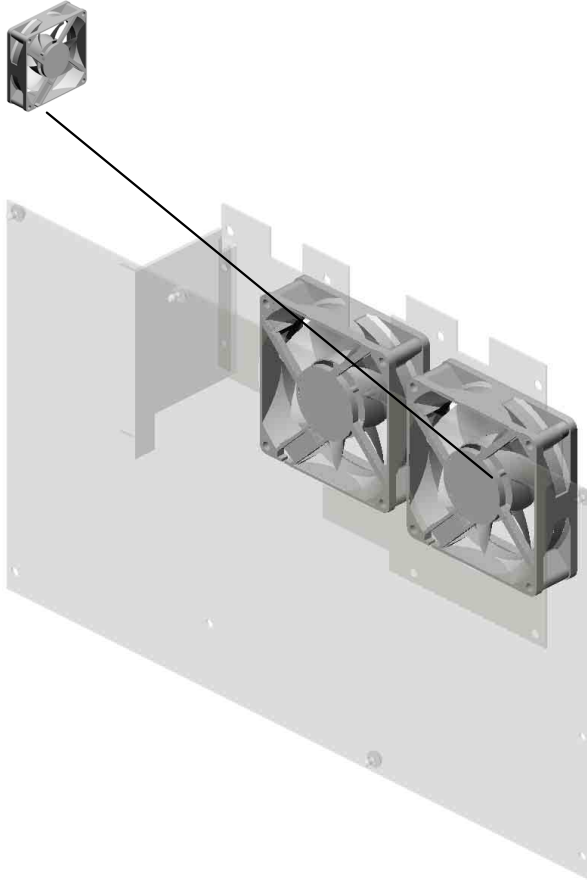
88.D1056338
KNOB:ON-OFF:INTERMEDIATE TRANSFER: BK:BASE

89.D1056339
KNOB:ON-OFF:INTERMEDIATE TRANSFER: BK



U018_S001
POWER SUPPLY UNIT:EU/AA/CHN

92.N6114000
(x2)
FAN:MM80



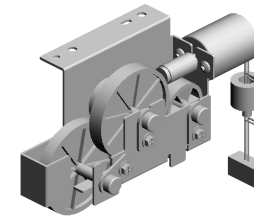
36.AZ240179
POWER SUPPLY U
NIT:EU/AA/CHN

U001	U002	U003	U004	U005	U006	U007	U008	U009	U010	U011	U012	U013	U014	U015	U016	U017	U018	U019	U020	U021
------	------	------	------	------	------	------	------	------	------	------	------	------	------	------	------	------	------	------	------	------

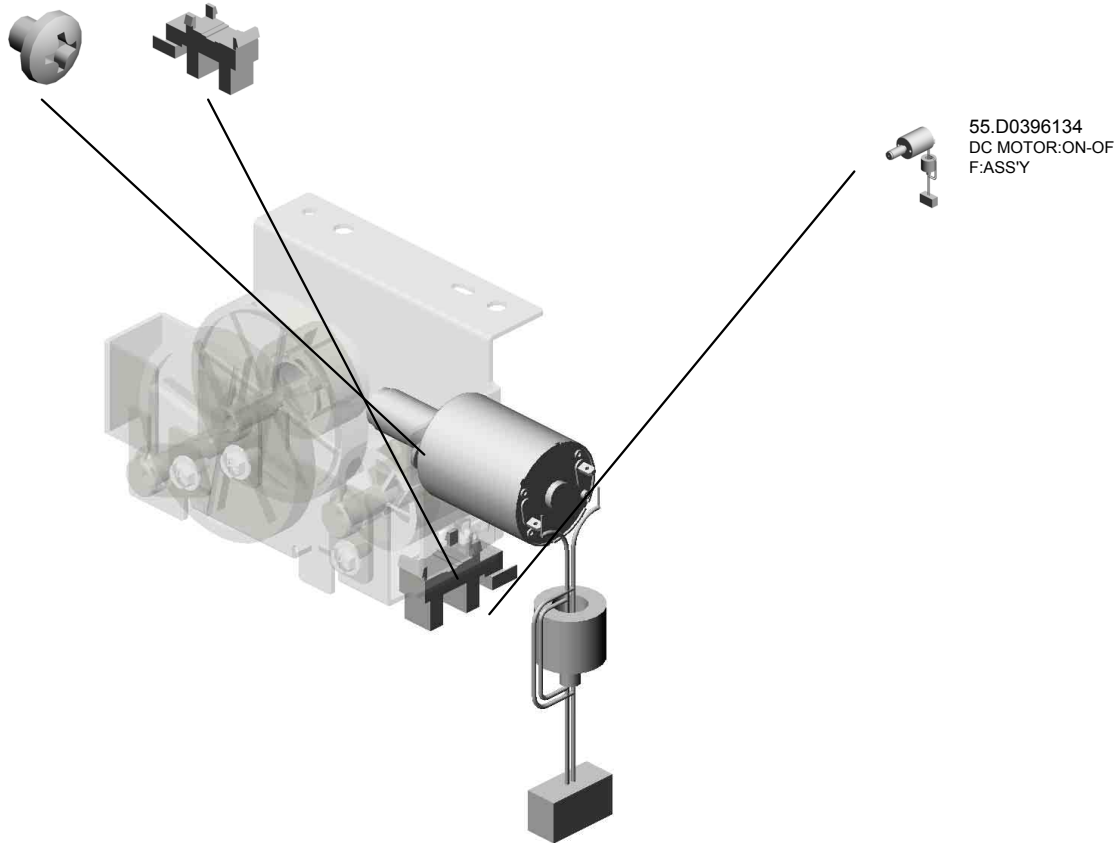
U018_S002
DRIVE UNIT:ON-OFF:TRANSFER ROLLER:ASS'Y

1.03530030N
(x2)
SCREW:M3X3

31.AW020190
PHOTOINTERRUP
TOR



54.D0396048
DRIVE UNIT:ON-OFF
F:TRANSFER ROLL
ER:ASSY



55.D0396134
DC MOTOR:ON-OFF
F:ASSY

U001	U002	U003	U004	U005	U006	U007	U008	U009	U010	U011	U012	U013	U014	U015	U016	U017	U018	U019	U020	U021
------	------	------	------	------	------	------	------	------	------	------	------	------	------	------	------	------	-------------	------	------	------

U018_S003

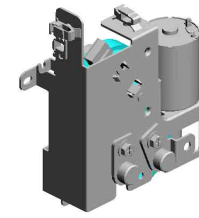
DRIVE UNIT:ON-OFF:TRANSFER ROLLER:SECOND:ASS'Y

73.D0396349
CAM:ON-OFF

72.D0396348
GEAR:ON-OFF

30.AW020145
PHOTOINTERRUPTOR:FLAT

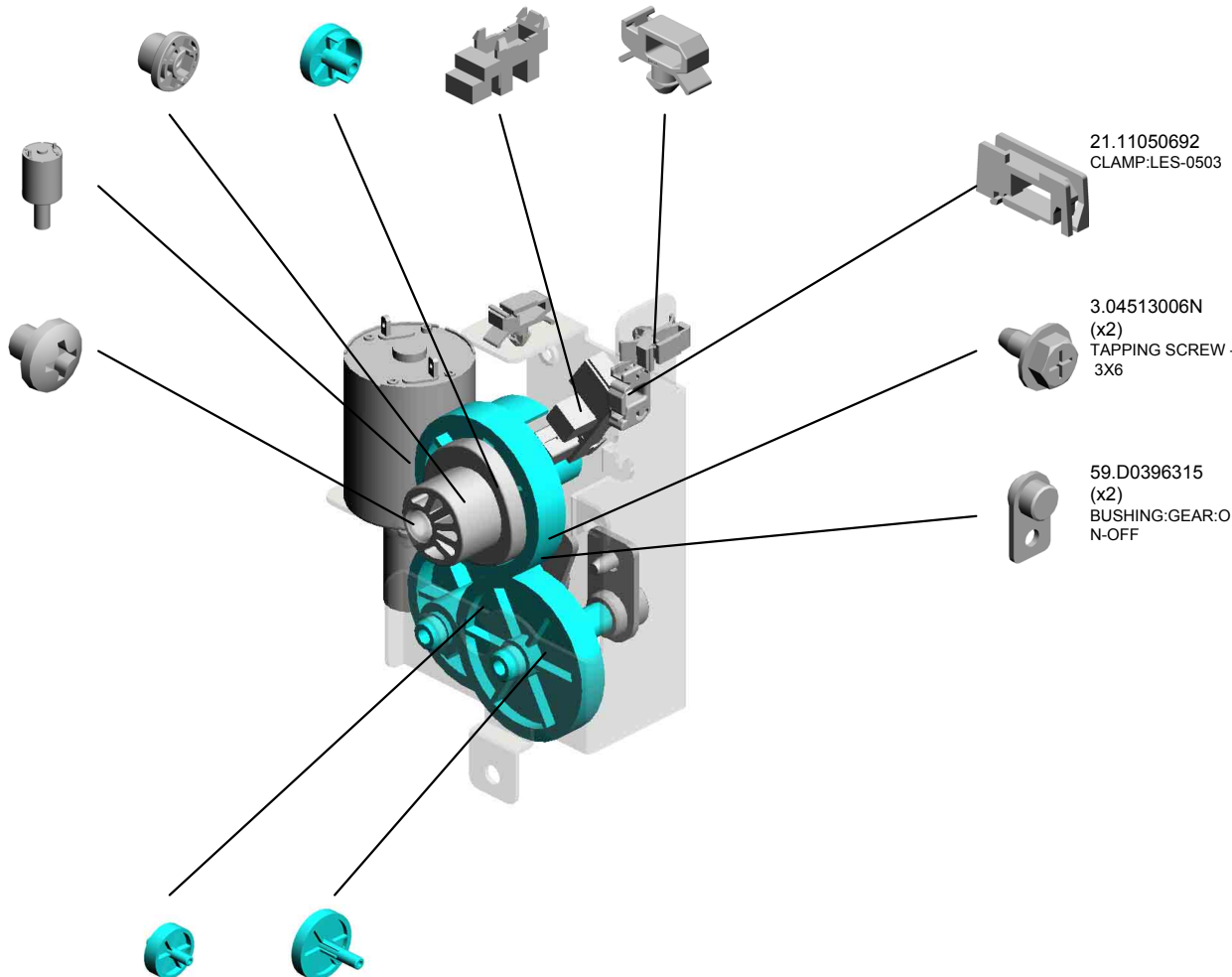
17.11050511
(x2)
HARNESS CLAMP - LWS-0306ZC



68.D0396340
DRIVE UNIT:ON-OFF:TRANSFER ROLLER:SECOND:ASS'Y

69.D0396341
DC MOTOR:ON-OFF:TRANSFER ROLLER:SECOND:ASS'Y

1.03530030N
(x2)
SCREW:M3X3



70.D0396346
GEAR:ON-OFF:IDLER:1

71.D0396347
GEAR:ON-OFF:IDLER:2

21.11050692
CLAMP:LES-0503

3.04513006N
(x2)
TAPPING SCREW - 3X6

59.D0396315
(x2)
BUSHING:GEAR:ON-OFF

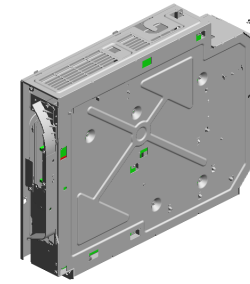
U019 Controller

3.B1545869
PANEL:INTERFAC
E:SECC

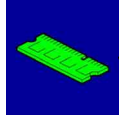
8.D1065790
SD-CARD:ZOFFYV
4:LICENSE:EXP:AS
S'Y

9.D1065792
SD-CARD:VM/CAL
YPSO:ASS'Y

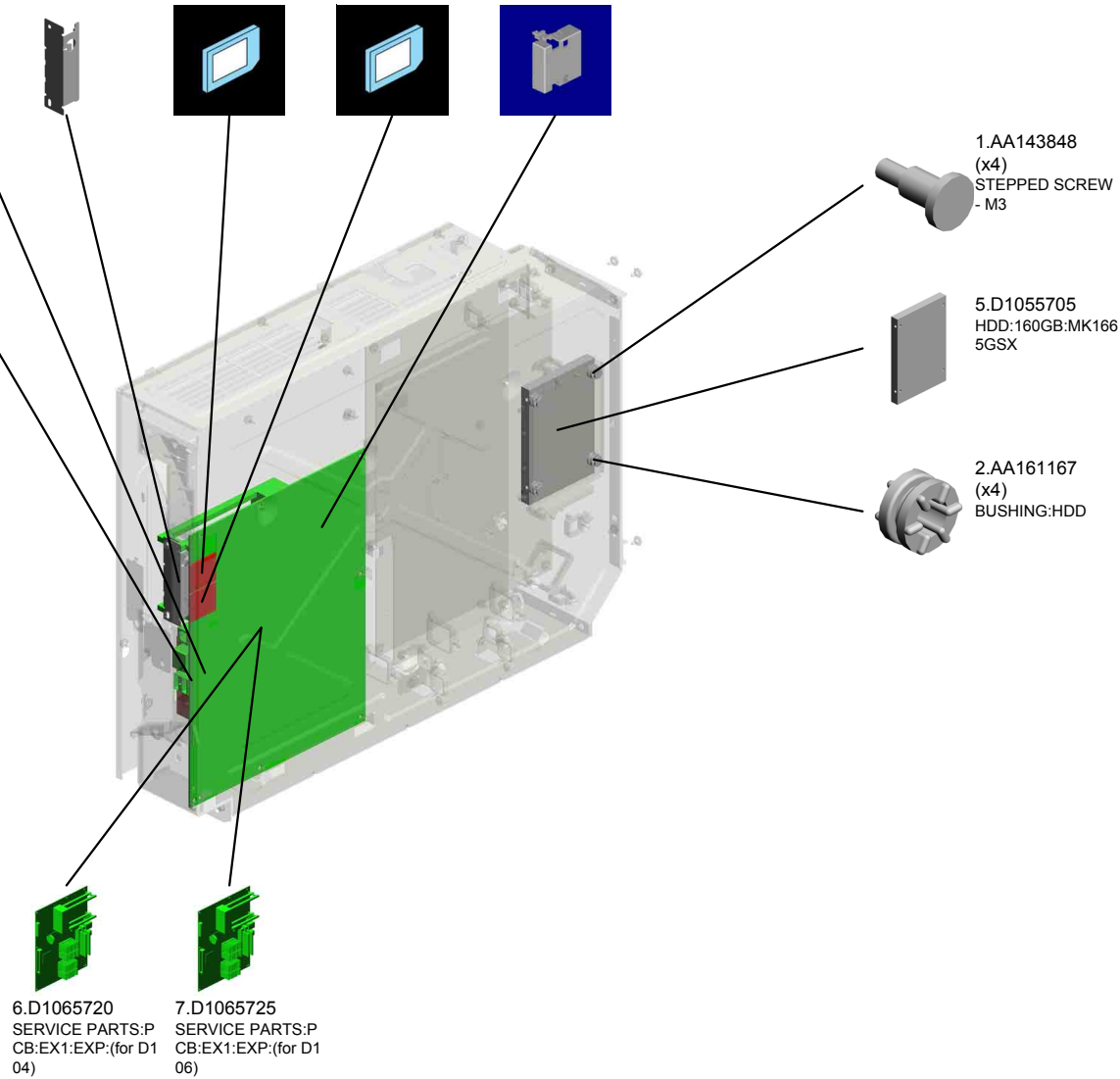
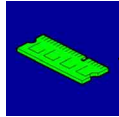
4.D1049590
NV-RAM



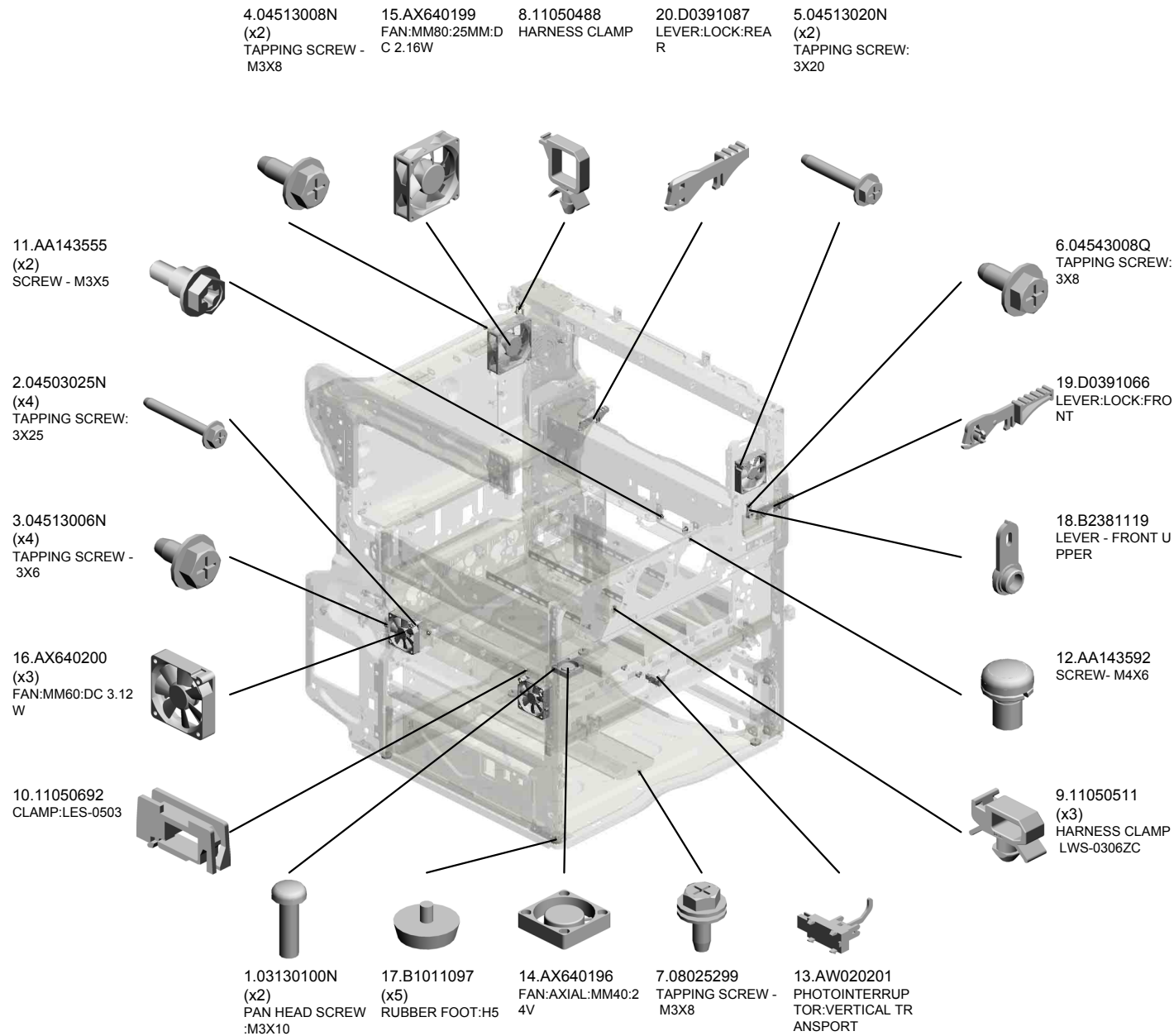
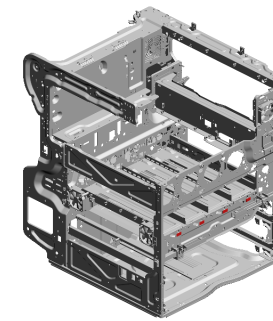
10.G1786062
PCB:PC4200:RAW
CARD-C:512MB



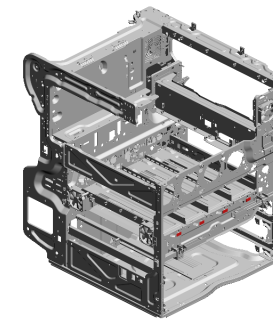
11.G1786072
PCB:PC4200:RAW
CARD-A:1GB



U020 Main Frame

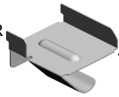


U020 Main Frame

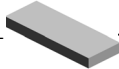


- 23.D0391312 DUCT:FUSING:EXH AUST:LOWER
- 37.D1051313 DUCT:FUSING:EXH AUST:UPPER
- 33.D0392954 BRACKET:HINGE:D UPLEX:REAR
- 30.D0392923 BRACKET:PHOTOI NTERRUPTOR:F2
- 34.D0394547 BRACKET:LEVER: DUPLEX:FRONT:AS S'Y

22.D0391306
PLATE:IMAGE FOR
MING MD:REAR



35.D0396307
(x2)
STOPPER:BELT CL
EANING



25.D0391322
DUCT:DEVELOPM
ENT UNIT:REAR



24.D0391321
DUCT:DEVELOPM
ENT UNIT:FRONT



28.D0392592
(x2)
GUIDERALE:LEFT:
ASS'Y



36.D0412528
HEAT SINK:HEATE
R:EU:ADHESION:(
Option)



38.GA003030
DECAL - SHIELDIN
G PLATE Y



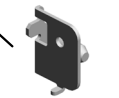
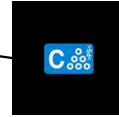
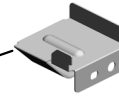
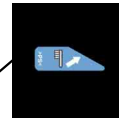
39.GA003031
DECAL - SHIELDIN
G PLATE M



31.D0392929
BRACKET:PHOTOI
NTERRUPTOR:F3



29.D0392595
GUIDERALE:RIGHT
:NO.2:ASS'Y



27.D0392591
GUIDERAIL:RIGHT:
NO.1:ASS'Y

26.D0391356
(x4)
DECAL:CLEANING:
POSITIONING DISP
LAY

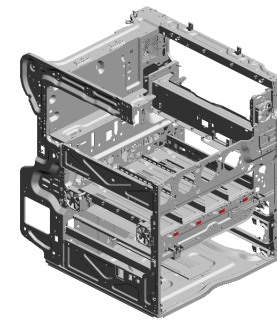
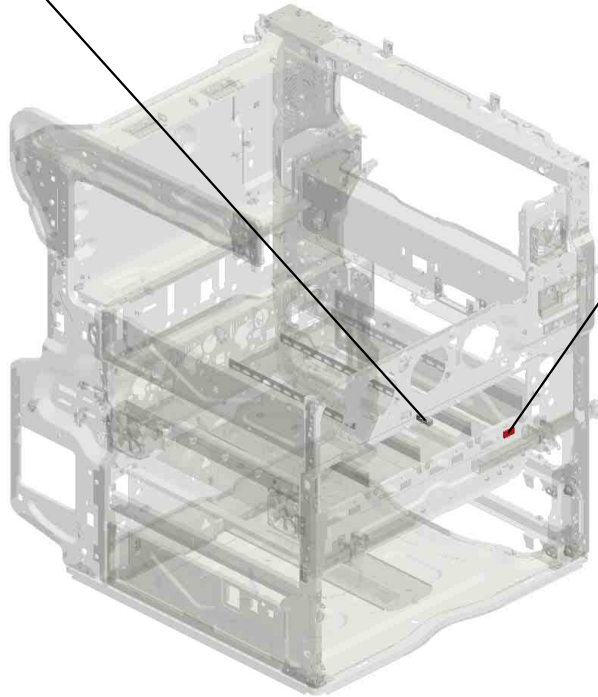
21.D0391305
PLATE:IMAGE FOR
MING MD:FRONT

40.GA003032
DECAL - SHIELDIN
G PLATE C

32.D0392951
BRACKET:HINGE:D
UPLEX:FRONT:AS
S'Y

U020 Main Frame

42.GW010007
PHOTO REFLECTI
ON SENSOR:EXIT



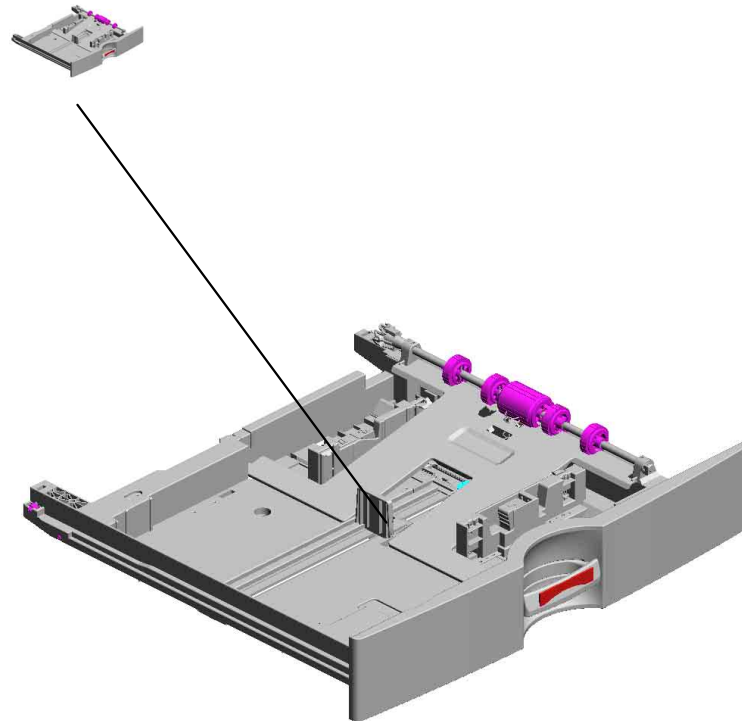
41.GA003033
DECAL - SHIELDIN
G PLATE K

A black square decal with a white 'K' logo and a small grid of dots to its right.

U001	U002	U003	U004	U005	U006	U007	U008	U009	U010	U011	U012	U013	U014	U015	U016	U017	U018	U019	U020	U021
------	------	------	------	------	------	------	------	------	------	------	------	------	------	------	------	------	------	------	-------------	------

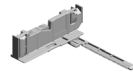
U021.Envelope Feeder EF3010 (Option)

U021 S001
D1062525
PAPER TRAY:NO.1:ENVELO
PE:EXP:ASSY

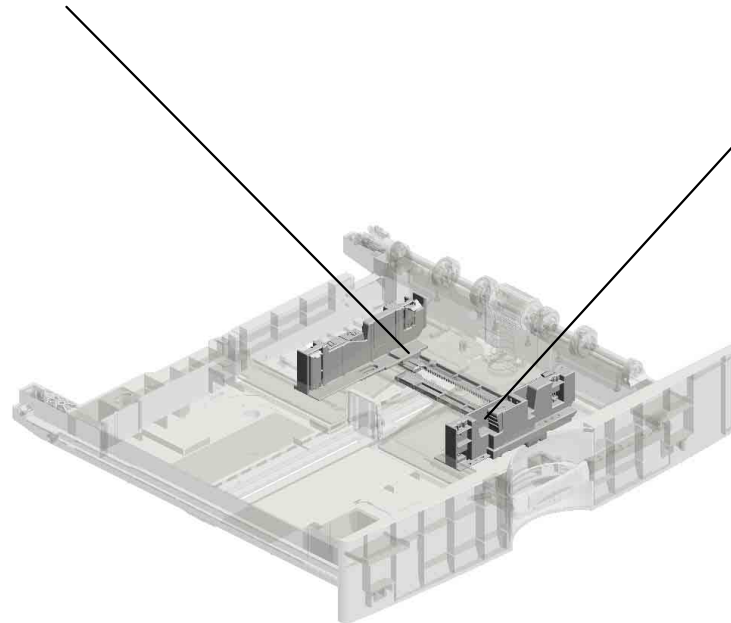


U021_S001.PAPER TRAY:NO.1:ENVELOPE:EXP:ASS'Y

U021_S001_S002
D1052588
SIDE FENCE:REAR:EXP:ASS'
Y

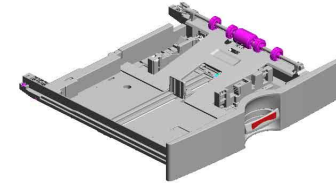


U021_S001_S001
D1052583
SIDE FENCE:FRONT:EXP:AS
S'Y



U001	U002	U003	U004	U005	U006	U007	U008	U009	U010	U011	U012	U013	U014	U015	U016	U017	U018	U019	U020	U021
------	------	------	------	------	------	------	------	------	------	------	------	------	------	------	------	------	------	------	------	------

U021
Envelope Feeder EF3010 (Option)



30.D1051303
DECAL:SIZE INDIC
ATION:PAPER TRA
Y:EXP

U021_S001
 PAPER TRAY:NO.1:ENVELOPE:EXP:ASS'Y

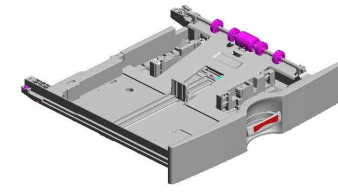
10.AA063630
 SPRING

4.08050088
 RETAINING RING -
 M6

2.04573008N
 TAPPING SCREW:
 WP:3X8

6.52152713
 BOTTOM PLATE P
 AD

12.AF031084
PAPER FEED ROLL
ER MM36



40.D1062525
 PAPER TRAY:NO.1
 :ENVELOPE:EXP:A
 SS'Y

19.D0392552
 JOINT:SHAFT:PAP
 ER FEED ROLLER

7.A2322987
 (x4)
 ROLLER - PAPER T
 RAY

8.AA060866
 LEVER SPRING

11.AF017025
 END FENCE

18.D0392551
 PAPER TRAY

16.B2232936
 GEAR - 16Z

14.B0512725
 SHEET - FURICTIO
 N PAD

15.B1542722
FRICION PAD:AS
S'Y

20.D0392561
 GRIP:PAPER TRAY

17.B2382526
 DECAL - GRIP

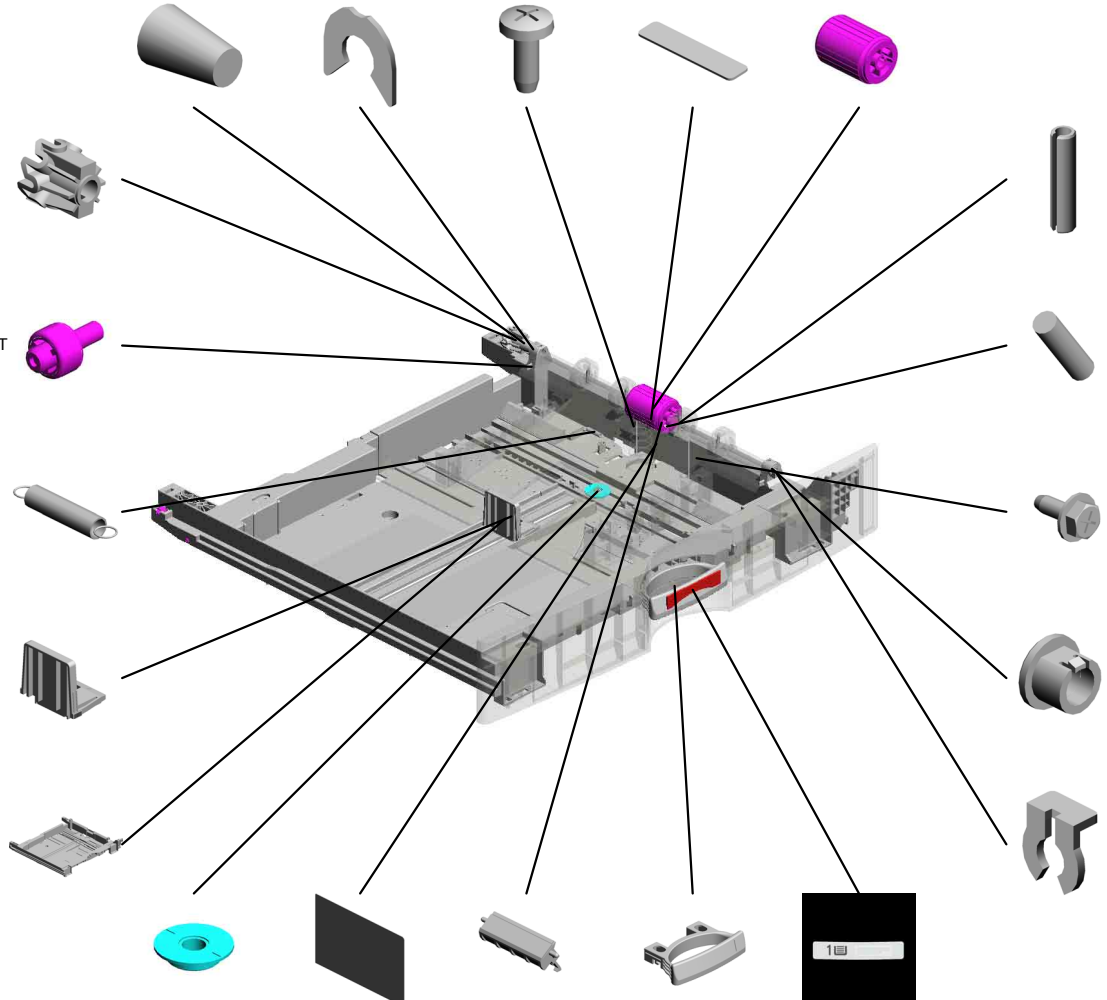
3.06230140E
 (x4)
 SPRING PIN - 3X14
 MM

9.AA063629
 SPRING - 2.8N

1.04563008N
 (x4)
 TAPPING SCREW -
 M3X8

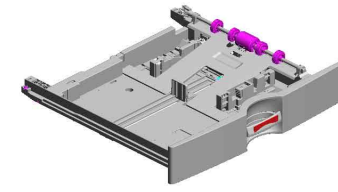
13.B0392727
 (x2)
 BUSHING - 8X12X1
 0

5.52152621
 SNAP RING - M6

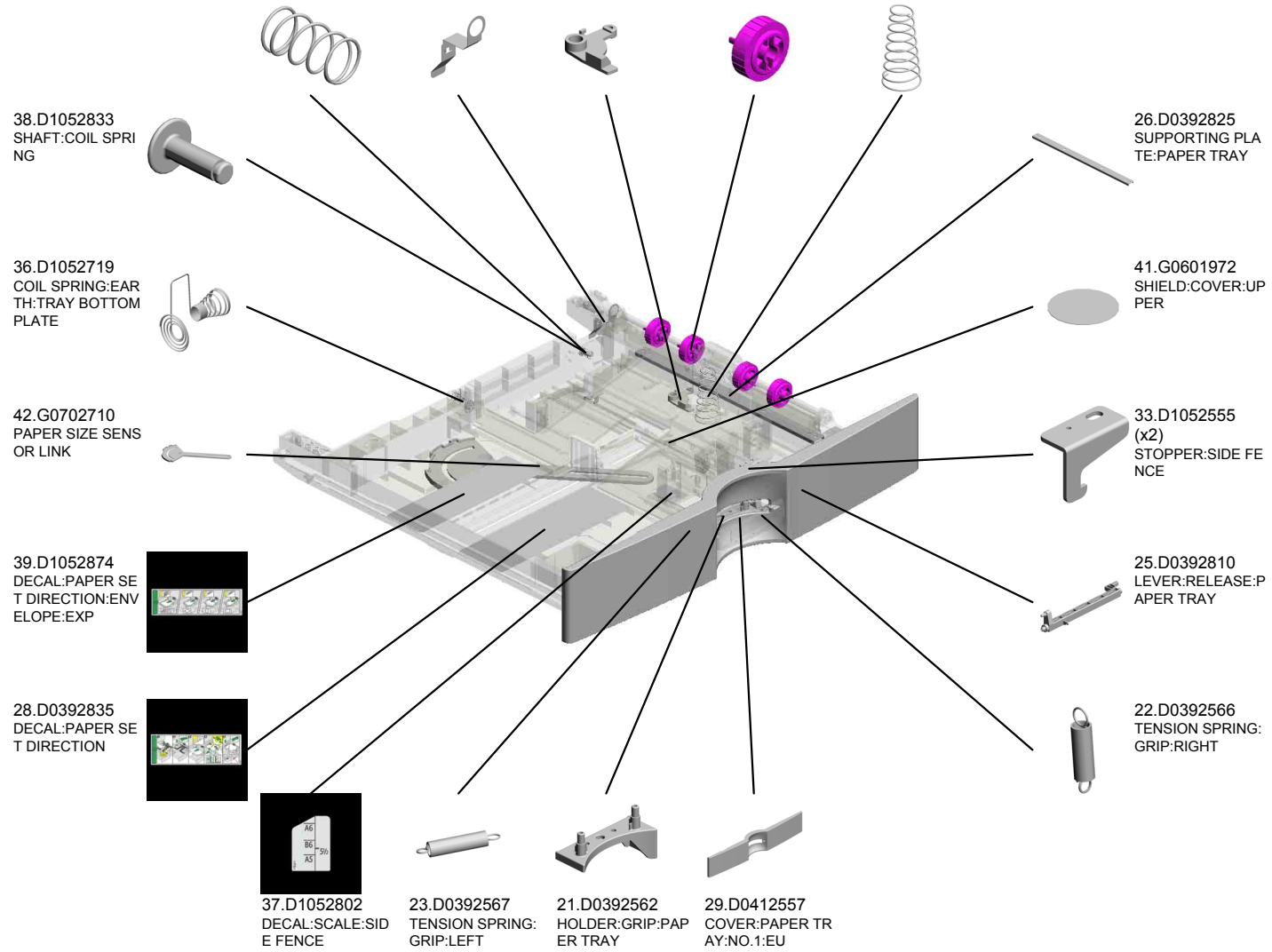


U021_S001
 PAPER TRAY:NO.1:ENVELOPE:EXP:ASS'Y

- 27.D0392834 SPRING:TRAY:REA
R
- 24.D0392569 GROUND PLATE:F
EED
- 43.G0702711 BASE STOPPER
- 31.D1052550 (x4)
PAPER FEED ROL
LER:AUXILIARY
- 32.D1052554 SPRING:BASE



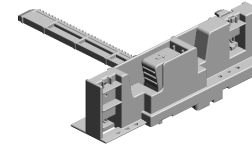
- 40.D1062525
PAPER TRAY:NO.1
:ENVELOPE:EXP:A
SS'Y



U001	U002	U003	U004	U005	U006	U007	U008	U009	U010	U011	U012	U013	U014	U015	U016	U017	U018	U019	U020	U021
------	------	------	------	------	------	------	------	------	------	------	------	------	------	------	------	------	------	------	------	------

U021_S001_S001
SIDE FENCE:FRONT:EXP:ASS'Y

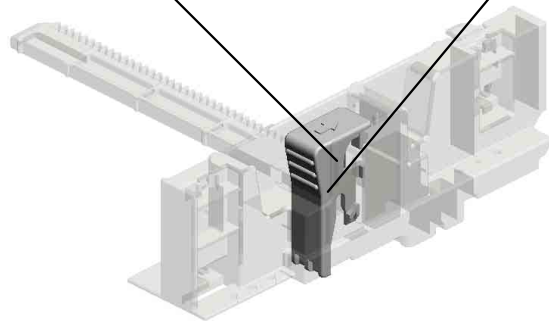
44.G0702713
SPRING PLATE ST
OPPER



34.D1052583
SIDE FENCE:FRON
T:EXP:ASS'Y



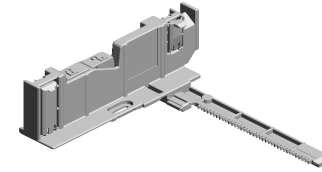
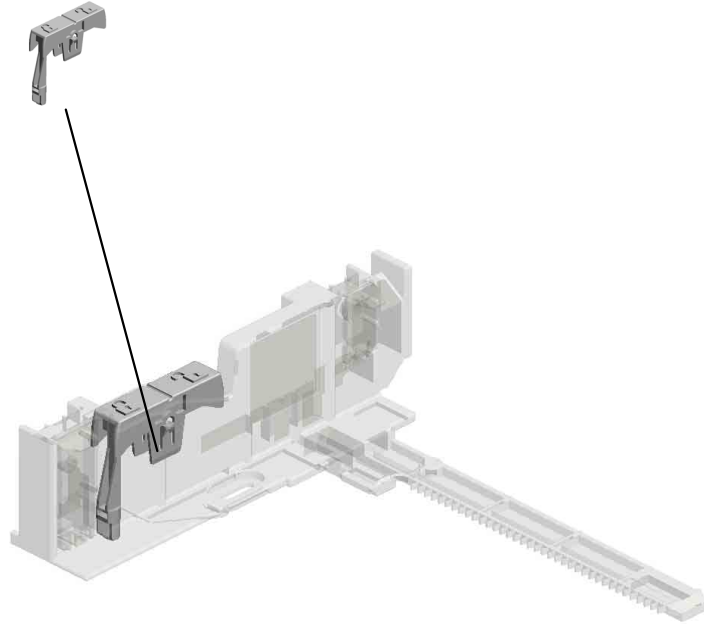
45.G0702714
FRONT LEVER - ST
OPPER



U001	U002	U003	U004	U005	U006	U007	U008	U009	U010	U011	U012	U013	U014	U015	U016	U017	U018	U019	U020	U021
------	------	------	------	------	------	------	------	------	------	------	------	------	------	------	------	------	------	------	------	------

U021_S001_S002
SIDE FENCE:REAR:EXP:ASS'Y

46.G0702718
REAR LEVER - ST
OPPER

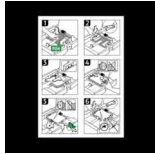


35.D1052588
SIDE FENCE:REAR
:EXP:ASS'Y

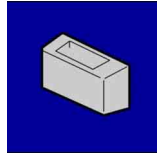
Accessories



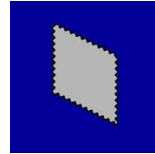
1.16072247
FERRITE CORE:K3 NF-55(N)BK0



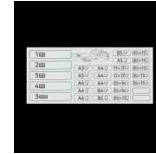
2.AA001534
SHEET:PAPER SET DIRECTION



3.B0651371
CLOTH HOLDER

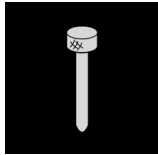


4.B0651374
SHEET:EXPOSURE GLASS

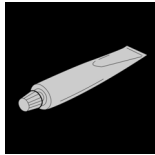


5.B2382524
DECAL - PAPER SIZE

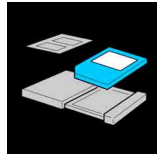
Special Tools



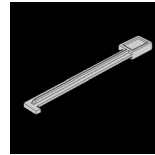
1.A1849501
OPTICS ADJUSTMENT TOOL



2.A2579300
GREASE - BARRIERTA S552R



3.B6455010
SD-CARD:ASS'Y



4.C4019503
20X MAGNIFICATION SCOPE

Decals and Documents



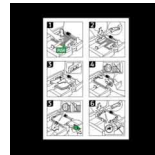
1.AA000239
DECAL:COLOR:MFP



2.AA000252
DECAL:H-TEMP WARNING



3.AA001477
DECAL:ENERGY-STAR



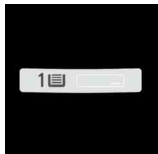
4.AA001534
SHEET:PAPER SET DIRECTION



5.B2232873
DECAL - SIDE FENCE REAR



6.B2382524
DECAL - PAPER SIZE



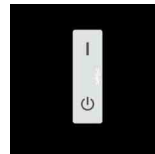
7.B2382526
DECAL - GRIP



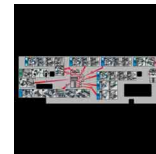
8.B2382527
DECAL - GRIP



9.B2382751
DECAL - SCALE



10.D0111253
DECAL:MAIN SWITCH:ON-STANDBY:
EU:(Option)



11.D0391350
SHEET:MISFEED REMOVAL



12.D0391351
DECAL:COLORED DISPLAY:INNER C
OVER:BK

Decals and Documents



13.D0391352
DECAL:COLORED DISPLAY:INNER COVER:C



14.D0391353
DECAL:COLORED DISPLAY:INNER COVER:M



15.D0391354
DECAL:COLORED DISPLAY:INNER COVER:Y



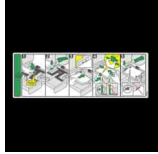
16.D0391355
DECAL:TONER BOTTLE:LOCK



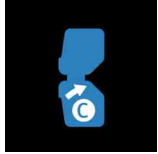
17.D0391356
DECAL:CLEANING:POSITIONING DISPLAY



18.D0391359
DECAL:CAUTION:ORIGINAL:ENGLISH



19.D0392835
DECAL:PAPER SET DIRECTION



20.D0394238
DECAL:FUSING:LEVER:C



21.D0394543
DECAL:GRIP:Z



22.D0396271
DECAL:GRIP:B



23.D1046601
SHEET:MODEL NAME PLATE:RICOH Aficio MP C2051



24.D1046605
SHEET:MODEL NAME PLATE:NASDAQ (for D104)



25.D1046606
SHEET:MODEL NAME PLATE:REX-Rotary (for D104)



26.D1046608
SHEET:MODEL NAME PLATE:INFOTEC (for D104)



27.D1046609
SHEET:MODEL NAME PLATE:GESTETNER (for D104)



28.D1066601
SHEET:MODEL NAME PLATE:RICOH Aficio MP C2551



29.D1066605
SHEET:MODEL NAME PLATE:NASDAQ (for D106)



30.D1066606
SHEET:MODEL NAME PLATE:REX-Rotary (for D106)



31.D1066608
SHEET:MODEL NAME PLATE:INFOTEC (for D106)



32.D1066609
SHEET:MODEL NAME PLATE:GESTETNER (for D106)



33.D1121821
DECAL:SCALE:LEFT



34.D1124264
DECAL:WARNING (HIGH TEMPERATURE):FUSING



35.GA003176
DECAL:SDK:MILLENNIUM_GRAY

Exclusive Parts

Number	Part Name	Group	ID
52062686	SNAP RING	U001	8
52152621	SNAP RING - M6	U005_S001	2
		U006_S001	3
		U021_S001	5
52152713	BOTTOM PLATE PAD	U005_S001_S003	3
		U006_S001_S003	4
		U021_S001	6
54421924	EXPOSURE GLASS CUSHION	U003	15
A1001714	REFLECTOR	U003_S001	16
A1849501	OPTICS ADJUSTMENT TOOL	Special Tools	1
A1931766	WIRE CLAMP	U003	17
A1931769	CLAMP - REAR WIRE	U003	18
A2322987	ROLLER - PAPER TRAY	U005_S001	4
		U006_S001	5
		U021_S001	7
A2501752	EXPOSURE GLASS	U003	19
A2501791	2ND SCANNER SHOE	U003_S002	20
A2579300	GREASE - BARRIERTA S552R	Special Tools	2
AA000239	DECAL:COLOR:MFP	Decals and Documents	1
		U001	9
AA000252	DECAL:H-TEMP WARNING	Decals and Documents	2
		U015	10
AA001477	DECAL:ENERGY-STAR	Decals and Documents	3
		U001	10
AA001534	SHEET:PAPER SET DIRECTION	Accessories	2
		Decals and Documents	4
AA010122	FILTER:REAR	U001	11
AA012133	FILTER:IMAGE FORMING MD	U001	12
AA060866	LEVER SPRING	U005_S001	5
		U006_S001	6
		U021_S001	8
AA060979	TENSION SPRING:TENSION:14720 MN	U003	21
AA060980	TENSION SPRING:TENSION:11300	U003	22

Number	Part Name	Group	ID
	MN		
AA061029	SPRING:SHUTTER:TONER OUTLET SUB-UNIT	U009_S001	8
		U009_S002	8
		U009_S003	8
		U009_S004	8
AA063456	COMPRESSION SPRING:ROLLER:TENSION	U011_S001	7
AA063458	COMPRESSION SPRING:KNOB	U018	25
AA063568	PRESSURE SPRING	U018	26
AA063629	SPRING - 2.8N	U005_S001	6
		U006_S001	7
		U021_S001	9
AA063630	SPRING	U005_S001	7
		U006_S001	8
		U021_S001	10
AA066391	TENSION SPRING:ON-OFF	U018	27
AA066408	TORSION SPRING:STRIPPER PLATE:FRONT	U014_S001	5
AA066409	TORSION SPRING:STRIPPER PLATE:REAR	U014_S001	6
AA080247	BUSHING - B-F6-3	U011_S001	8
AA080254	BUSHING - M4	U016	9
AA082075	BUSHING - M6	U015_S001	11
		U016	10
AA082101	BUSHING - 6X10X6	U007	5
		U008	5
		U016	11
		U017	8
AA082144	BUSHING - 8X12X7	U003	23
AA141017	AGITATOR:TONER SUPPLY	U009_S001	9
		U009_S002	9
		U009_S003	9
		U009_S004	9
AA141018	SHAFT:DRIVE:TONER SUPPLY	U009	10
AA143520	SHOULDER SCREW - M3	U014_S001	7
AA143555	SCREW - M3X5	U020	11
AA143592	SCREW- M4X6	U020	12
AA143848	STEPPED SCREW - M3	U019	1

Exclusive Parts

Number	Part Name	Group	ID
AA143867	SCREW:DIA4:M3	U018	28
AA143870	STEPPED SCREW	U014_S001	8
AA161167	BUSHING:HDD	U019	2
AB010381	GEAR:IDLER:COLLECTION BOTTLE	U018	29
AB011287	GEAR:PAPER FEED:NO.2	U017	9
AB011288	GEAR:PAPER FEED:NO.3	U017	10
AB011289	GEAR:PAPER FEED:NO.4	U017	11
AB011311	GEAR:TRANSPORT SCREW	U009_S001	11
		U009_S002	11
		U009_S003	11
		U009_S004	11
AB011312	GEAR:AGITATOR	U009_S001	12
		U009_S002	12
		U009_S003	12
		U009_S004	12
AB011313	GEAR:TONER SUPPLY:FRONT	U009_S001	13
		U009_S002	13
		U009_S003	13
		U009_S004	13
AB012067	GEAR:DRIVE:FUSING UNIT	U014_S001	9
AB012068	GEAR:PRESSURE ROLLER:Z27	U014_S001	10
AB012069	GEAR:IDLER:PRESSURE:Z18	U014_S001	11
AB012070	GEAR:IDLER:Z15	U014_S001	12
AB016000	GEAR:EXIT:NO.3	U017	12
AB017765	GEAR:PAPER FEED:NO.1	U017	13
AB017766	GEAR:REGISTRATION	U017	14
AB017769	GEAR:EXIT:NO.1	U017	15
AB017770	GEAR:EXIT:NO.2	U017	16
AB017823	GEAR:FUSING:NO.1	U017	17
AB017824	GEAR:FUSING:NO.2	U017	18
AC030169	MIRROR:NO.1	U003_S001	24
AE020192	PRESSURE ROLLER:DIA30	U014_S001	13
AF017025	END FENCE	U005_S001	8
		U006_S001	9
		U021_S001	11
AF031060	BY-PASS FEED ROLLER	U016	12
AF031084	PAPER FEED ROLLER MM36	U005_S001	9

Number	Part Name	Group	ID
		U006_S001	10
		U021_S001	12
AF033008	FRICITION PAD:10X50	U016	13
AF040571	GUIDE ROLLER	U015_S001	12
AG070514	MAGNET CATCH	U001	13
AW010107	PAPER FEED SENSOR	U008	6
AW010118	PAPER FEED SENSOR	U012_S001	7
AW010134	ORIGINAL SENSOR - 48MM	U003	25
AW010143	PHOTO REFLECTION SENSOR:PS R11TL1R-C	U015_S001_S001	13
AW020145	PHOTOINTERRUPTOR:FLAT	U018	30
		U018_S003	30
AW020146	PHOTOINTERRUPTOR:FLAT:PICH 2MM:M4	U003	26
AW020190	PHOTOINTERRUPTOR	U018_S002	31
AW020198	PHOTOINTERRUPTOR:LG2A14NL 1	U015_S001	14
		U016	14
AW020201	PHOTOINTERRUPTOR:VERTICAL TRANSPORT	U020	13
AW020204	PHOTOINTERRUPTOR:LGRC102	U003	27
AW020205	PHOTOINTERRUPTOR:DUPLEX	U016	15
AW100123	THERMISTOR:FUSING:FRONT	U014_S001	14
AW100127	THERMISTOR:PRESSURE:MIDDLE	U014_S001	15
AW100128	THERMISTOR:PRESSURE:FRONT	U014_S001	16
AW100138	THERMOPILE	U018	32
AW110102	THERMOSTAT:MIDDLE:UPPER	U014_S001	17
AW140016	TEMPERATURE & HUMIDITY SENSOR	U018	33
AW500023	PUSH SWITCH	U018	34
AW500037	PAPER SIZE SENSOR	U016	16
AW500038	PUSH SWITCH:PAPER SIZE SENSOR	U018	35
AX050298	BRUSHLESS MOTOR:INTERMEDIATE TRANSFER	U011	9
AX050302	STEPPER MOTOR:TRANSPORT	U016	17
		U017	19
AX050303	STEPPER MOTOR:REGISTRATION :DIA49	U017	20

Exclusive Parts

Number	Part Name	Group	ID
AX060000	BRUSHLESS MOTOR:DRUM	U017	21
		U017_S001	21
AX060356	BRUSHLESS MOTOR:DC24V 18W	U017	22
AX060376	BRUSHLESS MOTOR:DEVELOPMENT:COLOR	U017	23
AX060397	POLYGON SCANNER	U004_S001	2
AX200317	MAGNETIC CLUTCH:DEVELOPMENT	U017	24
AX440332	HEATER:223V:700W/480W	U014_S001	18
AX640196	FAN:AXIAL:MM40:24V	U020	14
AX640199	FAN:MM80:25MM:DC 2.16W	U020	15
AX640200	FAN:MM60:DC 3.12W	U020	16
AX640202	FAN:MM40X15:NIDEC:H	U015	15
AZ240179	POWER SUPPLY UNIT:EU/AA/CHN	U018_S001	36
AZ320180	POWER PACK:TTS:AT-C2	U018	37
AZ320181	POWER PACK:CB	U018	38
B0241264	MAGNET CATCH	U001	14
B0391367	RIVET - M6	U001	15
B0392628	BOTTOM PLATE PAD	U016	18
B0392727	BUSHING - 8X12X10	U005_S001	10
		U006_S001	11
		U021_S001	13
B0392730	PAPER END SENSOR	U018	39
B0434685	SPRING - 2.8N	U016	19
B0512725	SHEET - FRICTION PAD	U005_S001	11
		U006_S001	12
		U021_S001	14
B0651371	CLOTH HOLDER	Accessories	3
B0651374	SHEET:EXPOSURE GLASS	Accessories	4
B0771253	CAP:34X55	U001	16
B1011097	RUBBER FOOT:H5	U020	17
B1542722	FRICTION PAD:ASS'Y	U005_S001	12
		U006_S001	13
		U021_S001	15
B1542726	SHAFT:PAPER FEED ROLLER:ASS'Y	U005_S001	13
		U006_S001	14
B1545869	PANEL:INTERFACE:SECC	U019	3
B2231144	HOLDER:POSITIONING SENSOR	U017	25

Number	Part Name	Group	ID
B2231253	EMBLEM COVER	U001	17
B2231293	CAP:COVER:REAR	U001	18
B2231475	PCB OP-L	U002_S001	6
B2231518	KEYTOP - BLANK FB	U002_S001	7
B2231520	KEYTOP - CLEAR/STOP	U002_S001	8
B2231521	KEYTOP:10KEY	U002_S001	9
B2231534	KEYTOP:COPY:EU	U002_S001	10
B2231535	KEYTOP:DOC:EU	U002_S001	11
B2231537	KEYTOP:PRINTER:EU	U002_S001	12
B2231538	KEYTOP:SCANNER:EU	U002_S001	13
B2231539	KEYTOP:FUNCTION:EU	U002_S001	14
B2232873	DECAL - SIDE FENCE REAR	Decals and Documents	5
		U005_S001_S002	14
		U006_S001_S002	15
B2232936	GEAR - 16Z	U005_S001	15
		U006_S001	16
		U021_S001	16
B2234464	TIMING PULLEY:23T	U016	20
B2234552	BUSHING:DIA4	U016	21
B2274673	EXIT ROLLER	U015_S001	16
B2291688	HEATER:OPTION:230V:9W:(Option)	U003	28
B2371544	SHEET:DATA:DISPLAY:PLAIN	U002	15
B2381119	LEVER - FRONT UPPER	U020	18
B2381373	CAP - LOUVER MM80	U001	19
B2381396	CAP - REAR	U001	20
B2381504	KEYTOP - START	U002_S001	16
B2381506	KEYTOP - TRY PRINT	U002_S001	17
B2381509	KEYTOP - INTERRUPT	U002_S001	18
B2381511	KEYTOP - COUNTER	U002_S001	19
B2381519	LENS - FRONT	U002_S001	20
B2381547	SPACER - KEYTOP	U002_S001	21
B2381549	KEYTOP - POWER SOURCE	U002_S001	22
B2381550	KEYTOP - LOGIN	U002_S001	23
B2381552	KEYTOP - KANTAN	U002_S001	24
B2381583	KEYTOP - CLEAR MODES	U002_S001	25
B2381715	STEPPER MOTOR DC3.9V	U003	29
B2381762	GROUND PLATE - STEPPER MOT	U003	30

Exclusive Parts

Number	Part Name	Group	ID
	OR		
B2381792	TIMING BELT - 157ST1.5-4.0	U003	31
B2381793	BUSHING SPACER	U003	32
B2381801	SCALE - LEFT (A)	U003	33
B2381803	DOCUMENT FEEDER BRACKET	U003	34
B2381807	PULLEY	U003	35
B2382524	DECAL - PAPER SIZE	Accessories	5
		Decals and Documents	6
B2382526	DECAL - GRIP	Decals and Documents	7
		U005_S001	16
		U021_S001	17
B2382527	DECAL - GRIP	Decals and Documents	8
		U006_S001	17
B2382675	REGISTRATION ROLLER BUSHING	U008	7
B2382751	DECAL - SCALE	Decals and Documents	9
		U016	22
B2591367	COVER MAGNET	U001	21
B2614650	SEPARATION PAD	U016	23
B3901759	SHAFT:SCALE	U003	36
B6455010	SD-CARD:ASS'Y	Special Tools	3
BB013022	GEAR:DRIVE:COLLECTION BOTTLE	U018	40
C2292016	STEPPED SCREW	U018	41
C4019503	20X MAGNIFICATION SCOPE	Special Tools	4
D0091466	PCB:OP-R:SUB-ASS'Y	U002_S001	26
D0091486	INVERTOR:TFT	U002_S001	27
D0091487	CABLE:FFC:TFT:LCD	U002_S001	28
D0091488	TOUCH PANEL:W-VGA:MA	U002_S001	29
D0091501	COVER:UPPER	U002_S001	30
D0091504	SHADEING PLATE:TOUCH PANEL	U002_S001	31
D0091557	PANEL:UPPER:EU	U002_S001	32
D0092573	PULLEY - VERTICAL TRANSPORT	U016	24
D0092574	PULLEY - IDLER	U016	25

Number	Part Name	Group	ID
D0094455	CUSHION - DC SOLENOID	U015_S001	17
		U016	26
D0094485	BUSHING - GATE	U015_S001	18
		U016	27
D0094487	COMPRESSION SPRING - GATE	U016	28
D0111253	DECAL:MAIN SWITCH:ON-STANDBY:EU:(Option)	Decals and Documents	10
		U001	22
D0191505	BRACKET- LCDC BOARD	U002_S001	33
D0251727	MIRROR:NO.2:CONCAVE:ASS'Y	U003	37
D0251728	MIRROR:NO.2:CONVAX:ASS'Y	U003	38
D0291715	CARRIAGE:NO.1:ASS'Y	U003_S001	39
D0291719	SHEET:CARRIAGE:NO.1	U003_S001	40
D0291745	PULLEY:DRIVE WERE:FRONT	U003	41
D0291748	PULLEY:DRIVE WERE:REAR:ASS'Y	U003	42
D0291749	PULLEY:PROTECTION	U003	43
D0292677	TRANSPORT BELT:DRIVEN:VERTICAL TRANSPORT	U016	29
D0391066	LEVER:LOCK:FRONT	U020	19
D0391087	LEVER:LOCK:REAR	U020	20
D0391158	BRACKET:PAPER FEED:NO.1:ASS'Y	U017	26
D0391162	SHAFT:FEED:ASS'Y	U017	27
D0391163	DRUM STAY:PAPER FEED:NO.1	U017	28
D0391168	GUIDE:HARNES: PAPER FEED:NO.1	U017	29
D0391171	DRUM STAY:PAPER FEED:NO.2	U017	30
D0391172	BRACKET:PAPER FEED:NO.2:ASS'Y	U017	31
D0391188	DRIVE UNIT:DRUM:DEVELOPMENT:ASS'Y	U017_S001	32
D0391231	COVER:SCANNER:FRONT	U002	34
D0391232	COVER:SCANNER:RIGHT	U001	23
D0391236	COVER:SCANNER:FRONT LOWER	U002	35
D0391239	CAP:COVER:OPERATION SUB-UNIT	U002	36
D0391241	INNER COVER:UPPER	U001	24

Exclusive Parts

Number	Part Name	Group	ID
D0391242	INNER COVER:RIGHT	U001	25
D0391246	INNER COVER:DC BRUSHLESS MOTOR:INTERMEDIATE TRANSFER	U001	26
D0391247	GROUND PLATE:DC BRUSHLESS MOTOR:INTERMEDIATE TRANSFER	U001	27
D0391251	COVER:FRONT	U001	28
D0391253	BAND:COVER:FRONT	U001	29
D0391254	SPRING PLATE:BAND	U001	30
D0391256	CLEANER:SHIELD GLASS:ASS'Y	U001	31
D0391259	SHAFT:COVER:FRONT	U001	32
D0391262	COVER:UPPER:EXIT	U001	33
D0391264	COVER:FRONT UPPER	U001	34
D0391271	COVER:RIGHT REAR	U001	35
D0391272	COVER:RIGHT UPPER	U001	36
D0391273	COVER:RIGHT LOWER	U001	37
D0391283	COVER:LEFT UPPER REAR	U001	38
D0391284	COVER:LEFT:OPTION	U001	39
D0391285	COVER:MAIN SWITCH	U001	40
D0391293	COVER:REAR:HARNESS	U001	41
D0391305	PLATE:IMAGE FORMING MD:FRONT	U020	21
D0391306	PLATE:IMAGE FORMING MD:REAR	U020	22
D0391312	DUCT:FUSING:EXHAUST:LOWER	U020	23
D0391321	DUCT:DEVELOPMENT UNIT:FRONT	U020	24
D0391322	DUCT:DEVELOPMENT UNIT:REAR	U020	25
D0391350	SHEET:MISFEED REMOVAL	Decals and Documents	11
		U001	42
D0391351	DECAL:COLORED DISPLAY:INNER COVER:BK	Decals and Documents	12
		U001	43
D0391352	DECAL:COLORED DISPLAY:INNER COVER:C	Decals and Documents	13
		U001	44
D0391353	DECAL:COLORED DISPLAY:INNER COVER:M	Decals and Documents	14

Number	Part Name	Group	ID
		U001	45
D0391354	DECAL:COLORED DISPLAY:INNER COVER:Y	Decals and Documents	15
		U001	46
D0391355	DECAL:TONER BOTTLE:LOCK	Decals and Documents	16
		U001	47
D0391356	DECAL:CLEANING:POSITIONING DISPLAY	Decals and Documents	17
		U020	26
D0391359	DECAL:CAUTION:ORIGINAL:ENGLISH	Decals and Documents	18
		U002	37
D0391700	INNER COVER:SCANNER:PEEN	U003	44
D0391705	GROUND PLATE:HARNESS:SBU	U003	45
D0391715	DRIVE WERE	U003	46
D0391717	SHAFT:SCANNER:DRIVE	U003	47
D0391718	PULLEY:IDLER:LEFT FRONT:PEEN	U003	48
D0391720	PULLEY:IDLER:LEFT REAR:PEEN	U003	49
D0391733	XENON LAMP:DIA10:ASS'Y	U003	50
D0391742	CARRIAGE:NO.2:SUB-ASS'Y	U003_S002	51
D0391747	GUIDE:HIGH VOLTAGE SUPPLY CORD	U003	52
D0391748	GUIDE:HIGH VOLTAGE SUPPLY CORD:RAIL	U003	53
D0391751	HOLDER:EXPOSURE GLASS	U003	54
D0391769	FRAME:REAR	U003	55
D0391770	GROUND PLATE:SENSOR:AKS	U003	56
D0391801	LENS:HOLDER:ASS'Y	U003	57
D0391823	COVER:HEATER:SCANNER:(Option)	U003	58
D0391975	COVER:POLYGON SCANNER:ASS'Y	U004_S001	3
D0392030	PCU:ASS'Y	U010_S001	1
		U010_S002	1
		U010_S003	1
		U010_S004	1
D0392551	PAPER TRAY	U005_S001	17

Exclusive Parts

Number	Part Name	Group	ID
		U006_S001	18
		U021_S001	18
D0392552	JOINT:SHAFT:PAPER FEED ROLLER	U005_S001	18
		U006_S001	19
		U021_S001	19
D0392561	GRIP:PAPER TRAY	U005_S001	19
		U006_S001	20
		U021_S001	20
D0392562	HOLDER:GRIP:PAPER TRAY	U005_S001	20
		U006_S001	21
		U021_S001	21
D0392566	TENSION SPRING:GRIP:RIGHT	U005_S001	21
		U006_S001	22
		U021_S001	22
D0392567	TENSION SPRING:GRIP:LEFT	U005_S001	22
		U006_S001	23
		U021_S001	23
D0392569	GROUND PLATE:FEED	U005_S001	23
		U006_S001	24
		U021_S001	24
D0392583	SIDE FENCE:FRONT:ASS'Y	U005_S001_S001	24
		U006_S001_S001	25
D0392584	SIDE FENCE:REAR:ASS'Y	U005_S001_S002	25
		U006_S001_S002	26
D0392585	TRAY BOTTOM PLATE:ASS'Y	U005_S001_S003	26
		U006_S001_S003	27
D0392591	GUIDERAIL:RIGHT:NO.1:ASS'Y	U020	27
D0392592	GUIDERALE:LEFT:ASS'Y	U020	28
D0392595	GUIDERALE:RIGHT:NO.2:ASS'Y	U020	29
D0392611	REGISTRATION ROLLER:DRIVE	U008	8
D0392612	GEAR:REGISTRATION:33Z	U008	9
D0392621	REGISTRATION ROLLER:DRIVEN	U008	10
D0392622	GEAR:REGISTRATION:21Z	U008	11
D0392623	GEAR:REGISTRATION:24Z	U008	12
D0392641	BRACKET:CLEANER	U008	13
D0392642	SHEET:CLEANER:1ST	U008	14
D0392645	GUIDE PLATE:REGISTRATION:LEFT	U008	15

Number	Part Name	Group	ID
D0392651	GUIDE PLATE:REGISTRATION:RIGHT	U008	16
D0392652	SHEET:REGISTRATION:RIGHT	U008	17
D0392676	TENSION SPRING:REGISTRATION	U008	18
D0392711	LEVER:COMPRESSION SPRING:SEPARATION PAD	U016	30
D0392712	BRACKET:HOME POSITION SENSOR:PEEN	U016	31
D0392713	GUIDE PLATE:MANUAL FEED UNIT:LOWER	U016	32
D0392714	HOLDER:COMPRESSION SPRING:SEPARATION PAD	U016	33
D0392716	GUIDE PLATE:MANUAL FEED UNIT:UPPER	U016	34
D0392720	GEAR:CAM:RIGHT	U016	35
D0392722	GEAR:CAM:LEFT REAR	U016	36
D0392725	FEELER:MANUAL FEED	U016	37
D0392735	COVER:MANUAL FEED TABLE	U016	38
D0392737	FEELER:PAPER:TRAILING EDGE	U016	39
D0392738	COVER:PAPER:TRAILING EDGE	U016	40
D0392739	EXTENSION TRAY:MANUAL FEED	U016	41
D0392745	BASE:MANUAL FEED TABLE	U016	42
D0392748	SIDE FENCE:FRONT	U016	43
D0392749	SIDE FENCE:REAR	U016	44
D0392750	RACK:SIDE FENCE:FRONT	U016	45
D0392751	RACK:SIDE FENCE:REAR	U016	46
D0392752	DISC:SIDE FENCE	U016	47
D0392753	GEAR:SIDE FENCE	U016	48
D0392754	SPRING:SIDE FENCE	U016	49
D0392779	SPRING PLATE:EXTENSION TRAY	U016	50
D0392780	GEAR:ROLLER CLUTCH	U016	51
D0392781	GEAR:STEPPER MOTOR	U016	52
D0392786	SHAFT:DRIVE:MANUAL FEED UNIT	U016	53
D0392788	PIN:SIDE FENCE	U016	54
D0392789	GEAR:CAM:RIGHT REAR	U016	55
D0392790	GEAR:FEELER:LEFT	U016	56
D0392791	GUIDE PLATE:VERTICAL TRANSP	U001	48

Exclusive Parts

Number	Part Name	Group	ID
	ORT:F3:RIGHT		
D0392792	BAND:STOPPER	U001	49
D0392793	CAM:LEFT	U016	57
D0392794	LINK:MANUAL FEED TABLE:REAR	U016	58
D0392795	LINK:MANUAL FEED TABLE:FRONT	U016	59
D0392796	SHAFT:CAM:ASS'Y	U016	60
D0392797	TORSION SPRING:PAPER END SENSOR	U016	61
D0392798	SPRING:BASE:2.5N	U016	62
D0392799	RETAINING RINGS-C:DIA4	U016	63
D0392801	GROUND PLATE:VERTICAL TRANSPORT	U001	50
D0392810	LEVER:RELEASE:PAPER TRAY	U005_S001	27
		U006_S001	28
		U021_S001	25
D0392815	SPRING:BASE	U005_S001	28
		U006_S001	29
D0392825	SUPPORTING PLATE:PAPER TRAY	U005_S001	29
		U006_S001	30
		U021_S001	26
D0392832	DECAL:SIDE FENCE:MANUAL FEED	U016	64
D0392834	SPRING:TRAY:REAR	U005_S001	30
		U006_S001	31
		U021_S001	27
D0392835	DECAL:PAPER SET DIRECTION	Decals and Documents	19
		U005_S001	31
		U006_S001	32
		U021_S001	28
D0392912	ROLLER:VERTICAL TRANSPORT:DRIVE:F1	U007	6
D0392916	GUIDE PLATE:VERTICAL TRANSPORT:F2	U007	7
D0392921	GUIDE PLATE:VERTICAL TRANSPORT:F1	U007	8
D0392923	BRACKET:PHOTOINTERRUPTOR:	U020	30

Number	Part Name	Group	ID
	F2		
D0392927	GUIDE PLATE:VERTICAL TRANSPORT:SWIVEL	U007	9
D0392928	SHEET:VERTICAL TRANSPORT:SWIVEL	U007	10
D0392929	BRACKET:PHOTOINTERRUPTOR:F3	U020	31
D0392930	GUIDE PLATE:VERTICAL TRANSPORT:F3:LEFT	U007	11
D0392934	BUSHING:DIA4:VERTICAL TRANSPORT	U001	51
D0392935	ROLLER:DRIVEN:F3	U001	52
D0392936	COVER:VERTICAL TRANSPORT	U001	53
D0392937	SPRING:VERTICAL TRANSPORT	U001	54
D0392943	BRACKET:COVER:VERTICAL TRANSPORT:FRONT	U001	55
D0392944	BRACKET:COVER:VERTICAL TRANSPORT:REAR	U001	56
D0392951	BRACKET:HINGE:DUPLEX:FRONT:ASS'Y	U020	32
D0392954	BRACKET:HINGE:DUPLEX:REAR	U020	33
D0392971	ARM:PRESSURE RELEASE:FRONT	U016	65
D0392972	ARM:PRESSURE RELEASE:REAR	U016	66
D0392976	GUIDE PLATE:VERTICAL TRANSPORT:F1	U016	67
D0392977	GUIDE PLATE:DRIVEN:BELT	U016	68
D0392980	STAY:HINGE:DUPLEX:ASS'Y	U016	69
D0392983	HOLDER:DRIVEN:BELT	U016	70
D0392991	SHAFT:TRANSPORT BELT:DRIVEN	U016	71
D0392993	SHAFT:TRANSPORT BELT:PULLEY	U016	72
D0392995	GRIP:COVER:RIGHT	U016	73
D0392996	HOOK:STOPPER:DUPLEX UNIT:FRONT	U016	74
D0392997	HOOK:STOPPER:DUPLEX UNIT:REAR	U016	75
D0392998	SHAFT:GRIP	U016	76

Exclusive Parts

Number	Part Name	Group	ID
D0393332	COVER:TONER SUPPLY:C	U009_S002	14
D0393333	COVER:TONER SUPPLY:M	U009_S003	15
D0393334	COVER:TONER SUPPLY:Y	U009_S004	16
D0393335	TONER HOPPER:TONER SUPPLY	U009_S001	17
		U009_S002	17
		U009_S003	17
		U009_S004	17
D0393336	SHUTTER:TONER OUTLET SUB-UNIT	U009_S001	18
		U009_S002	18
		U009_S003	18
		U009_S004	18
D0393337	SEAL:TONER OUTLET SUB-UNIT	U009_S001	19
		U009_S002	19
		U009_S003	19
		U009_S004	19
D0393338	SEAL:TONER HOPPER	U009_S001	20
		U009_S002	20
		U009_S003	20
		U009_S004	20
D0393339	SHEET:AGITATOR:TONER SUPPLY	U009_S001	21
		U009_S002	21
		U009_S003	21
		U009_S004	21
D0393340	COVER:HARNESS:TONER SUPPLY	U009_S004	22
D0393341	SHUTTER:TONER SUPPLY UNIT	U009_S001	23
		U009_S002	23
		U009_S003	23
		U009_S004	23
D0393342	SEAL:COVER:TONER SUPPLY	U009_S002	24
		U009_S003	24
		U009_S004	24
D0393343	GUARD:SHIELD:TONER HOPPER	U009_S001	25
		U009_S002	25
		U009_S003	25
		U009_S004	25
D0393344	SEAL:TONER CATCHPAN:TONER SUPPLY UNIT	U009_S001	26
		U009_S002	26

Number	Part Name	Group	ID
		U009_S003	26
		U009_S004	26
D0393347	SHEET:AGITATOR:NO.2:TONER SUPPLY	U009_S001	27
		U009_S002	27
		U009_S003	27
		U009_S004	27
D0393350	GUIDE:TONER BOTTLE:9MM	U009_S001	28
		U009_S002	28
		U009_S003	28
		U009_S004	28
D0393367	SHEET:BRACKET:TONER SUPPLY	U009_S005	29
		U009_S006	29
		U009_S007	29
D0394238	DECAL:FUSING:LEVER:C	Decals and Documents	20
		U014_S001	19
D0394241	FUSING ENTRANCE GUIDE PLATE	U014_S001	20
D0394411	GUIDE PLATE:EXIT:UPPER	U015_S001	19
D0394415	FEELER:PHOTOINTERRUPTOR:EXIT	U015_S001	20
D0394419	SHEET:EXIT:UNIFORM	U015_S001	21
D0394421	GUIDE PLATE:EXIT:LOWER	U015_S001	22
D0394424	SHAFT:EXIT ROLLER:DRIVEN	U015_S001	23
D0394425	COMPRESSION SPRING:EXIT ROLLER:DRIVEN	U015_S001	24
D0394435	GEAR:EXIT	U015_S001	25
D0394436	GEAR:INPUT:ROLLER CLUTCH	U015_S001	26
D0394467	STEPPER MOTOR:REVERSE	U016	77
D0394468	GEAR:IDLER:REVERSE	U015_S001	27
D0394471	GEAR:IDLER:INPUT:ROLLER CLUTCH	U015_S001	28
D0394472	GEAR:IDLER:ROLLER CLUTCH:CONNECTING	U015_S001	29
D0394484	TENSION SPRING:DC SOLENOID:PAPER EXIT UNIT	U015_S001	30
D0394488	DC SOLENOID:PAPER EXIT UNIT:SUB-ASS'Y	U015_S001	31

Exclusive Parts

Number	Part Name	Group	ID
D0394511	GUIDE PLATE:FEED PAPER AGAIN:DUPLEX	U016	78
D0394523	TENSION SPRING:LEVER:DUPLEX	U016	79
D0394525	COMPRESSION SPRING:SHAFT:GUIDE PLATE:EXIT	U016	80
D0394527	COMPRESSION SPRING:EXIT ROLLER:DRIVEN	U016	81
D0394529	STOPPER:GUIDE PLATE:ROLLER:DRIVEN	U016	82
D0394535	INNER COVER:DUPLEX UNIT	U016	83
D0394538	COMPRESSION SPRING:FLAT CONVEYER BELT:DRIVEN	U016	84
D0394539	GUIDE PLATE:GUIDE PLATE:ROLLER:DRIVEN	U016	85
D0394540	LINK:DUPLEX UNIT:FRONT	U016	86
D0394541	GUIDE PLATE:ROLLER:DRIVEN	U016	87
D0394542	DRIVEN ROLLER:ENTRANCE:DUPLEX	U016	88
D0394543	DECAL:GRIP:Z	Decals and Documents	21
		U016	89
D0394544	COVER:SENSOR:DUPLEX:LOWER	U016	90
D0394547	BRACKET:LEVER:DUPLEX:FRONT:ASS'Y	U020	34
D0394553	COVER:CONNECTOR:DUPLEX UNIT	U016	91
D0394564	GEAR:IDLER:DUPLEX	U016	92
D0394565	LINK:DUPLEX:ASS'Y	U016	93
D0394569	GEAR:DRIVE:DUPLEX	U016	94
D0394570	GUIDE PLATE:DUPLEX:ENTRANCE	U016	95
D0394578	FEELER:DUPLEX:ENTRANCE SENSOR	U016	96
D0394580	COVER:RIGHT	U016	97
D0394581	INNER COVER:GRIP:DUPLEX UNIT	U016	98
D0394583	GATE PAWL:DUPLEX:ENTRANCE:ASS'Y	U016	99
D0394584	LEVER:GATE PAWL	U016	100

Number	Part Name	Group	ID
D0394586	COVER:GRIP:DUPLEX UNIT	U001	57
D0394587	SPRING:GATE PAWL:ENTRANCE:DUPLEX	U016	101
D0394591	SHAFT:PRESSURE:GUIDE PLATE:EXIT	U016	102
D0394592	TIMING BELT:S2M:256	U016	103
D0394594	TIMING BELT:S2M:276	U016	104
D0394596	TORSION SPRING:LINK:DUPLEX	U016	105
D0394597	TENSION SPRING:DRIVEN ROLLER	U016	106
D0394905	TRAY:REVERSE	U001	58
D0394906	INNER COVER:PAPER EXIT UNIT:FRONT	U015	32
D0394907	INNER COVER:PAPER EXIT UNIT:REAR	U015	33
D0394911	GUIDE PLATE:REVERSE:UPPER	U015_S001	34
D0394912	DISCHARGE BRUSH:REVERSE	U015_S001	35
D0394921	GUIDE PLATE:REVERSE:LOWER	U015_S001	36
D0394925	ROLLER:REVERSE:DRIVEN	U015_S001	37
D0394926	SHAFT:REVERSE:DRIVEN	U015_S001	38
D0394927	COMPRESSION SPRING:PRESSURE:REVERSE:DRIVEN	U015_S001	39
D0394948	GEAR:REVERSE ROLLER	U015_S001	40
D0394952	BRACKET:SENSOR:FUSING EXIT	U015_S001_S001	41
D0394955	PHOTO SENCER ASS'Y	U015_S001_S001	42
D0394972	LEVER:GATE PAWL:REAR	U015_S001	43
D0394973	LEVER:GATE PAWL:FRONT	U015_S001	44
D0394974	TORSION SPRING:LEVER:GATE PAWL	U015_S001	45
D0394975	GATE PAWL:EXIT:ASS'Y	U015_S001	46
D0394985	GUIDE PLATE:EXIT:DUPLEX:ADHESION	U016	107
D0395122	PCB:DRB	U018	42
D0395178	PCB:RFID-RW	U009	30
D0395401	STABILIZER	U003	59
D0395836	BASE:SAFETY SWITCH:PEEN	U018	43
D0395842	LEVER:SAFETY SWITCH:MIDDLE	U018	44
D0395843	LEVER:SAFETY SWITCH:MIDDLE:	U018	45

Exclusive Parts

Number	Part Name	Group	ID
	SMALL		
D0395844	LEVER:SAFETY SWITCH:FRONT	U018	46
D0395845	LEVER:SAFETY SWITCH:RIGHT	U018	47
D0395846	SPRING:SAFETY SWITCH:FRONT	U018	48
D0395856	COVER:TRAY:LEFT LOWER	U018	49
D0395857	COVER:HARNESS:REAR MIDDLE	U018	50
D0395858	CASE:HARNESS:FUSING	U018	51
D0395859	COVER:BASE:POSITIONING PIN	U018	52
D0395862	COVER:TRAY:LEFT UPPER	U018	53
D0396013	ROLLER:ENCODER:ASS'Y	U011_S001	10
D0396029	TRANSFER BELT:ASS'Y	U011_S001	11
D0396048	DRIVE UNIT:ON-OFF:TRANSFER ROLLER:ASS'Y	U018_S002	54
D0396064	ROLLER:TENSION:PRESS FIT	U011_S001	12
D0396108	OPTICS SENSOR:ENCODER	U011_S001	13
D0396113	BRACKET:ROLLER:BELT:FACE FRONT	U011_S001	14
D0396119	BRACKET:INTERMEDIATE TRANSFER:DRIVE:ASS'Y	U011	15
D0396122	GEAR:INTERMEDIATE TRANSFER:NO.1	U011	16
D0396132	ROLLER:FLAT BELT-TRANSFER:FACE FRONT:ASS'Y	U011_S001	17
D0396134	DC MOTOR:ON-OFF:ASS'Y	U018_S002	55
D0396204	TRANSFER/SEPARATION UNIT:SECOND:ASS'Y	U012_S001	8
D0396210	TRANSFER/SEPARATION UNIT:FIRST:ASS'Y	U012_S001	9
D0396223	LEVER:PRESSURE:TRANSFER ROLLER:FRONT	U012_S001	10
D0396224	LEVER:PRESSURE:TRANSFER ROLLER:REAR	U012_S001	11
D0396225	COMPRESSION SPRING:PRESSURE:TRANSFER ROLLER:18N	U012_S001	12
D0396226	TERMINAL:EARTH:TRANSFER ROLLER	U012_S001	13
D0396227	LEVER:TRANSFER/SEPARATION UNIT:FRONT	U012_S001	14

Number	Part Name	Group	ID
D0396228	LEVER:TRANSFER/SEPARATION UNIT:REAR	U012_S001	15
D0396229	LEVER:SET:FRONT	U012_S001	16
D0396230	LEVER:SET:REAR	U012_S001	17
D0396231	TENSION SPRING:LEVER:SET	U012_S001	18
D0396232	TORSION SPRING:LEVER:SET:FRONT	U012_S001	19
D0396233	TORSION SPRING:LEVER:SET:REAR	U012_S001	20
D0396235	TERMINAL:EARTH	U012_S001	21
D0396236	SHAFT:RELEASE	U012_S001	22
D0396239	GRIP:RELEASE	U012_S001	23
D0396241	GUIDE PLATE:TRANSFER UNIT	U012_S001	24
D0396242	LEVER:RELEASE:TRANSFER/SEPARATION UNIT:FRONT	U012_S001	25
D0396243	LEVER:RELEASE:TRANSFER/SEPARATION UNIT:REAR	U012_S001	26
D0396251	BASE:TRANSFER/SEPARATION UNIT:SECOND:PEEN	U012_S001	27
D0396258	SHAFT:ON-OFF:DIA8	U012_S001	28
D0396259	LINK:GUIDE PLATE:TRANSFER	U012_S001	29
D0396260	BRACKET:ENTRANCE SENSOR	U012_S001	30
D0396261	PLAIN SHAFT BEARING:POSITIONING:TRANSFER/SEPARATION UNIT	U012	31
D0396262	COMPRESSION SPRING:TRANSFER UNIT SUB-UNIT	U012_S001	32
D0396268	LEVER:ON-OFF:TRANSFER ROLLER:FRONT	U012_S001	33
D0396269	LEVER:ON-OFF:TRANSFER ROLLER:REAR	U012_S001	34
D0396271	DECAL:GRIP:B	Decals and Documents U012_S001	22 35
D0396272	COVER:CONNECTOR:ENTRANCE SENSOR	U012	36
D0396273	STOPPER:LEVER:FRONT	U012	37
D0396274	STOPPER:LEVER:REAR	U012	38
D0396298	BRACKET:STOPPER:TRANSFER UNIT	U018	56

Exclusive Parts

Number	Part Name	Group	ID
	NIT:PEEN		
D0396305	HOLDER:USED TONER SENSOR:B ELT CLEANING	U018	57
D0396306	FEELER:TONER COLLECTION COI L	U018	58
D0396307	STOPPER:BELT CLEANING	U020	35
D0396315	BUSHING:GEAR:ON-OFF	U018_S003	59
D0396323	BRACKET:SENSOR:TM	U018	60
D0396324	GUIDE PLATE:TRANSFER:ENTRA NCE	U018	61
D0396325	BUSHING:DENSITY SENSOR:FRO NT	U018	62
D0396326	BUSHING:DENSITY SENSOR:REA R	U018	63
D0396327	SPACER:SENSOR:TM	U018	64
D0396330	GROUND PLATE:BIAS:BK	U018	65
D0396334	HOLDER:KNOB:ON-OFF:BK	U018	66
D0396337	SHUTTER:ON-OFF:BK	U018	67
D0396340	DRIVE UNIT:ON-OFF:TRANSFER R OLLER:SECOND:ASS'Y	U018_S003	68
D0396341	DC MOTOR:ON-OFF:TRANSFER R OLLER:SECOND:ASS'Y	U018_S003	69
D0396346	GEAR:ON-OFF:IDLER:1	U018_S003	70
D0396347	GEAR:ON-OFF:IDLER:2	U018_S003	71
D0396348	GEAR:ON-OFF	U018_S003	72
D0396349	CAM:ON-OFF	U018_S003	73
D0396405	COLLECTION BOTTLE:EXP:ASS'Y	U013	1
D0396583	BRACKET:DRIVE:COLLECTION BO TTLE	U018	74
D0396584	DC MOTOR:ASS'Y	U018	75
D0396597	HINGE:COLLECTION BOTTLE	U018	76
D0411233	COVER:SCANNER:LEFT:EU	U001	59
D0411234	COVER:SCANNER:REAR:EU	U001	60
D0411261	COVER:UPPER:INNER BACK:EU	U001	61
D0411263	GUIDE PLATE:SCANNER:EU	U001	62
D0411282	COVER:LEFT MIDDLE:EU	U001	63
D0411292	COVER:REAR LOWER:EU	U001	64
D0412528	HEAT SINK:HEATER:EU:ADHESIO	U020	36

Number	Part Name	Group	ID
	N:(Option)		
D0412557	COVER:PAPER TRAY:NO.1:EU	U005_S001 U021_S001	32 29
D0412558	COVER:PAPER TRAY:NO.2:EU	U006_S001	33
D0415897	COVER:SWITCH:HEATER	U018	77
D0415899	COVER:CONNECTOR:HEATER	U018	78
D0746100	DENSITY SENSOR	U018	79
D1041482	PCB:LCDC:EU:ASS'Y	U002_S001	38
D1046601	SHEET:MODEL NAME PLATE:RIC: EXP:(for D104)	Decals and Docu ments U001	23 65
D1046605	SHEET:MODEL NAME PLATE:NSA: (for D104)	Decals and Docu ments U001	24 66
D1046606	SHEET:MODEL NAME PLATE:REX: (for D104)	Decals and Docu ments U001	25 67
D1046608	SHEET:MODEL NAME PLATE:INF:(f or D104)	Decals and Docu ments U001	26 68
D1046609	SHEET:MODEL NAME PLATE:GES: EU:(for D104)	Decals and Docu ments U001	27 69
D1049590	NV-RAM	U019	4
D1051164	ROLLER CLUTCH:FEED	U017	33
D1051166	ROLLER CLUTCH:GRIP	U017	34
D1051179	BRACKET:FUSING:EXIT:ASS'Y	U017	35
D1051260	COVER:UPPER	U001	70
D1051281	COVER:LEFT	U001	71
D1051291	COVER:REAR	U001	72
D1051303	DECAL:SIZE INDICATION:PAPER T RAY:EXP	U021	30
D1051313	DUCT:FUSING:EXHAUST:UPPER	U020	37
D1051412	OPERATION SUB-UNIT::EU:ASS'Y	U002_S001	39
D1051489	LCD:TFT:W-VGA:AUO	U002_S001	40
D1051703	GASKET:9X5.5X17	U003	60
D1051795	EXPOSURE GLASS:DOCUMENT F EEDER	U003	61

Exclusive Parts

Number	Part Name	Group	ID
D1051855	OPTICAL WRITING SECTION:SER VICE PARTS:ASS'Y	U004_S001	4
D1052550	PAPER FEED ROLLER:AUXILIARY	U021_S001	31
D1052554	SPRING:BASE	U021_S001	32
D1052555	STOPPER:SIDE FENCE	U021_S001	33
D1052570	STOPPER-END FENCE-ASS'Y:(Opti on)	U005	33
		U006	34
D1052583	SIDE FENCE:FRONT:EXP:ASS'Y	U021_S001_S001	34
D1052588	SIDE FENCE:REAR:EXP:ASS'Y	U021_S001_S002	35
D1052719	COIL SPRING:EARTH:TRAY BOTT OM PLATE	U005_S001	34
		U006_S001	35
		U021_S001	36
D1052802	DECAL:SCALE:SIDE FENCE	U021_S001	37
D1052833	SHAFT:COIL SPRING	U005_S001	35
		U006_S001	36
		U021_S001	38
D1052874	DECAL:PAPER SET DIRECTION:E NVELOPE:EXP	U021_S001	39
D1052909	ROLLER:VERTICAL TRANSPORT: DRIVE:F2	U007	12
D1052910	ROLLER:VERTICAL TRANSPORT: DRIVE:F3	U007	13
D1052933	ROLLER:DRIVEN:F2	U001	73
D1053317	DRIVE UNIT:TONER SUPPLY SUB- UNIT:ASS'Y	U009_S005	31
		U009_S006	31
		U009_S007	31
		U009_S008	31
D1053342	SEAL:COVER:TONER SUPPLY:BK	U009_S001	32
D1053351	SPRING PLATE:TONER BOTTLE	U009	33
D1054087	BRACKET:HEATER:FRONT	U014_S001	21
D1054088	BRACKET:HEATER:REAR	U014_S001	22
D1054151	LEVER:PRESSURE RELEASE:FRO NT:ASS'Y	U014_S001	23
D1054161	LEVER:PRESSURE RELEASE:REA R:ASS'Y	U014_S001	24
D1054179	THERMOSTAT-ASS'Y	U014_S001	25
D1054191	DISCHARGE BRUSH:PRESSURE R OLLER	U014_S001	26

Number	Part Name	Group	ID
D1054232	STRIPPER PLATE:COAT	U014_S001	27
D1054234	GUIDE PLATE:FUSING EXIT:ASS'Y	U014_S001	28
D1054362	BRACKET:THERMOPILE	U018	80
D1054365	HOLDER:THERMOPILE	U018	81
D1054380	STAY:PRESSURE:OIL SUPPLY RO LLER:ASS'Y:(Option)	U014	29
D1054401	PAPER EXIT UNIT:ASS'Y	U015_S001	47
D1054431	EXIT ROLLER	U015_S001	48
D1054457	STEPPER MOTOR:REVERSE:ASS' Y	U015_S001	49
D1054489	DRIVEN ROLLER:DIA16:EXIT:DUPL EX	U016	108
D1054530	TRANSPORT ROLLER:DUPLEX:EN TRANCE	U016	109
D1054531	TRANSPORT ROLLER:DUPLEX:EN TRANCE:LOWER	U016	110
D1054532	TRANSPORT ROLLER:DUPLEX:EX IT:UPPER	U016	111
D1054533	TRANSPORT ROLLER:DUPLEX:EX IT	U016	112
D1054537	DRIVEN ROLLER:DIA16:DUPLEX	U016	113
D1054588	GATE PAWL:REVERSE:ASS'Y	U016	114
D1054589	TORSION SPRING:GATE PAWL:RE VERSE	U016	115
D1054942	TRANSPORT ROLLER:REVERSE:C ONNECTING	U015_S001	50
D1054943	ROLLER CLUTCH:REVERSE:FRON T	U015_S001	51
D1054947	REVERSE ROLLER	U015_S001	52
D1055102	PCB:BCU:ASS'Y	U018	82
D1055194	PCB:SDVDB:200V	U018	83
D1055705	HDD:160GB:MK1665GSX	U019	5
D1055720	PCBC1_5:IMAGE PROCESSING U NIT	U018	84
D1055855	COVER:HARNESS:MAIN SWITCH	U018	85
D1055863	COVER:HARNESS:SCANNER:PEE N	U018	86
D1055899	HOLDER:TEMPERATURE & HUMID	U018	87

Exclusive Parts

Number	Part Name	Group	ID
	ITY SENSOR		
D1056003	TRANSFER UNIT:INTERMEDIATE TRANSFER:SERVICE:ASS'Y	U011_S001	18
D1056036	CLEANING UNIT:INTERMEDIATE TRANSFER:SERVICE:ASS'Y	U011	19
D1056338	KNOB:ON-OFF:INTERMEDIATE TRANSFER:BK:BASE	U018	88
D1056339	KNOB:ON-OFF:INTERMEDIATE TRANSFER:BK	U018	89
D1062521	PAPER TRAY:NO.1:EU:ASS'Y	U005_S001	36
D1062522	PAPER TRAY:NO.2:EU:ASS'Y	U006_S001	37
D1062525	PAPER TRAY:NO.1:ENVELOPE:EXP:ASS'Y	U021_S001	40
D1064002	FUSING UNIT:EU:ASS'Y	U014_S001	30
D1064052	BELT UNIT:EU:ASS'Y	U014_S001	31
D1065720	SERVICE PARTS:PCB:EX1:EXP:(for D104)	U019	6
D1065725	SERVICE PARTS:PCB:EX1:EXP:(for D106)	U019	7
D1065790	SD-CARD:ZOFFYV4:LICENSE:EXP:ASS'Y	U019	8
D1065792	SD-CARD:VM/CALYPSO:ASS'Y	U019	9
D1066601	SHEET:MODEL NAME PLATE:RIC:EXP:(for D106)	Decals and Documents U001	28 74
D1066605	SHEET:MODEL NAME PLATE:NSA:(for D106)	Decals and Documents U001	29 75
D1066606	SHEET:MODEL NAME PLATE:REX:(for D106)	Decals and Documents U001	30 76
D1066608	SHEET:MODEL NAME PLATE:INF:(for D106)	Decals and Documents U001	31 77
D1066609	SHEET:MODEL NAME PLATE:GES:EU:(for D106)	Decals and Documents U001	32 78
D1121735	SCALE:LEFT:B:ASS'Y	U003_S003	62

Number	Part Name	Group	ID
D1121782	SCALE:INNER BACK:PRINTING	U003	63
D1121821	DECAL:SCALE:LEFT	Decals and Documents U003_S003	33 64
D1124264	DECAL:WARNING (HIGH TEMPERATURE):FUSING	Decals and Documents U014_S001	34 32
D8092001	PCU:C:SERVICE	U010_S002	2
D8092002	PCU:M:SERVICE	U010_S003	3
D8092003	PCU:Y:SERVICE	U010_S004	4
D8093002	DEVELOPMENT UNIT:C:SERVICE:ASS'Y	U010_S002	5
D8093003	DEVELOPMENT UNIT:M:SERVICE:ASS'Y	U010_S003	6
D8093004	DEVELOPMENT UNIT:Y:SERVICE:ASS'Y	U010_S004	7
D8093046	TONER SUPPLY UNIT:C	U009_S002	34
D8093047	TONER SUPPLY UNIT:M	U009_S003	35
D8093048	TONER SUPPLY UNIT:Y	U009_S004	36
D8302000	PCU:BK:SERVICE	U010_S001	8
D8303001	DEVELOPMENT UNIT:BK:SERVICE:ASS'Y	U010_S001	9
D8303045	SERVICE PARTS:TONER SUPPLY UNIT:BK:ASS'Y	U009_S001	37
G0205626	PUSH SWITCH	U007	14
G0601972	SHIELD:COVER:UPPER	U005_S001 U006_S001 U021_S001	37 38 41
G0702710	PAPER SIZE SENSOR LINK	U005_S001 U006_S001 U021_S001	38 39 42
G0702711	BASE STOPPER	U005_S001 U006_S001 U021_S001	39 40 43
G0702713	SPRING PLATE STOPPER	U005_S001_S001 U006_S001_S001 U021_S001_S001	40 41 44
G0702714	FRONT LEVER - STOPPER	U005_S001_S001	41

Exclusive Parts

Number	Part Name	Group	ID
		U006_S001_S001	42
		U021_S001_S001	45
G0702718	REAR LEVER - STOPPER	U005_S001_S002	42
		U006_S001_S002	43
		U021_S001_S002	46
G1786062	PCB:PC4200:RAWCARD-C:512MB	U019	10
G1786072	PCB:PC4200:RAWCARD-A:1GB	U019	11
G4042810	SPRING PLATE - 2ND MIRROR	U003	65
G5701133	TIMING PULLEY 73	U003	66
G5701225	SENSOR SHIELDING PLATE	U003	67
G5702730	SLIDER - SCANNER	U003_S001	68
G5702833	PULLEY HOLDER	U003	69
G5702834	PULLEY - HIGH VOLTAGE SUPPLY CORD	U003	70
GA003030	DECAL - SHIELDING PLATE Y	U020	38
GA003031	DECAL - SHIELDING PLATE M	U020	39
GA003032	DECAL - SHIELDING PLATE C	U020	40
GA003033	DECAL - SHIELDING PLATE K	U020	41
GA003176	DECAL:SDK:MILLENNIUM_GRAY	Decals and Docu ments	35
		U001	79
GA080033	BUSHING:AGITATOR:RIGHT:ASS'Y	U009_S001	38
		U009_S002	38
		U009_S003	38
		U009_S004	38
GA080037	BUSHING:AGITATOR:LEFT:ASS'Y	U009_S001	39
		U009_S002	39
		U009_S003	39
		U009_S004	39
GW010007	PHOTO REFLECTION SENSOR:EXI T	U015_S001	53
		U020	42
GW020020	PHOTOINTERRUPTOR:LG248NL1	U017	36
GX640027	FAN MOTOR - DC24V 1.92W	U018	90
M0261815	CLAMP:MIRROR:NO.1	U003_S001	71
N6074550	CHOKE COIL:RITL-0107	U018	91
N6114000	FAN:MM80	U018_S001	92

Standard Parts



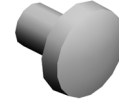
03130100N
PAN HEAD SCREW:M3X10



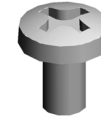
03140120N
SCREW - M4X12



03530030N
SCREW:M3X3



03530040N
SCREW - M3X4



03530050N
SCREW-M3X5



03530060N
BIND SCREW - M3X6



03530100N
SCREW-M3X10



03603006N
SCREW - M3X6



03603006P
SCREW - M3X6



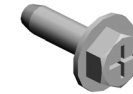
03603008N
SCREW:M3X8



03603020N
SCREW:M3X20



03603030N
SCREW:M3X30



04503010N
TAPPING SCREW - M3X10



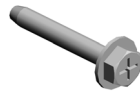
04503025N
TAPPING SCREW:3X25



04513006N
TAPPING SCREW - 3X6



04513008N
TAPPING SCREW - M3X8



04513020N
TAPPING SCREW:3X20



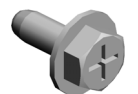
04513025N
TAPPING SCREW:M3X25



04533006N
TAPPING SCREW - M3X6



04543006Q
TAPPING SCREW - M3X6



04543008Q
TAPPING SCREW:3X8



04563008N
TAPPING SCREW - M3X8



04563010N
TAPPING SCREW - M3X10



04573008N
TAPPING SCREW:WP:3X8



06230140E
SPRING PIN - 3X14MM



07200030E
RETAINING RING - M3



07200040E
RETAINING RING - M4



07200060E
RETAINING RING - M6

Standard Parts



08025299
TAPPING SCREW - M3X8



08046123
HEXAGONAL BOLT:W/WASHER:M3X8



08050088
RETAINING RING - M6



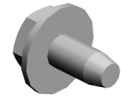
08050089
RETAINING RING - M4



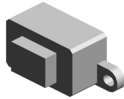
08050092
RETAINING RING - 3M



08050097
RING SEPARATOR



09543006N
SCREW - M3X6



11028501
CONNECTOR:54679-1609



11028502
CONNECTOR - 54679-1615



11050032
CLAMP



11050487
HARNESS CLAMP



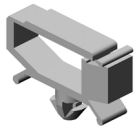
11050488
HARNESS CLAMP



11050489
HARNESS CLAMP - LWS 1316



11050511
HARNESS CLAMP - LWS-0306ZC



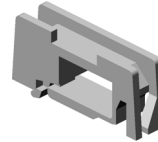
11050516
CLAMP



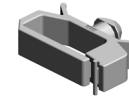
11050518
EDGE SADDLE - LES-1010



11050534
CLAMP



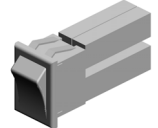
11050692
CLAMP:LES-0503



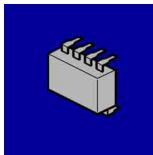
11050738
CLAMP:LBWS-0511S-V0



12042521
MICRO SWITCH



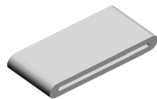
12042598
SWITCH



14077036
EEPROM:AT24C128B-PU



16072247
FERRITE CORE:K3 NF-55(N)BK0



16072392
FERRITE CORE:K3 FF 25.00X10.00X3.00X0.80(M)

PM Part List

Number	Part Name	Num	Group	ID
AA010122	FILTER:REAR	1	U001	11
AF031084	PAPER FEED ROLLER MM36	3	U005_S001	9
			U006_S001	10
			U021_S001	12
B1542722	FRICTION PAD:ASS'Y	3	U005_S001	12
			U006_S001	13
			U021_S001	15
D0392030	PCU:ASS'Y	4	U010_S001	1
			U010_S002	1
			U010_S003	1
			U010_S004	1
D0396405	COLLECTION BOTTLE:EXP:ASS'Y	1	U013	1
D1056036	CLEANING UNIT:INTERMEDIATE TRANSFER:SERVICE:ASS'Y	1	U011	19

